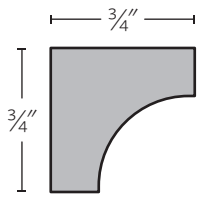
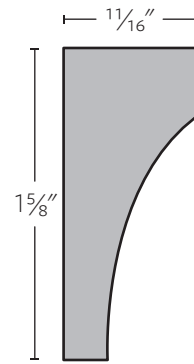


SECTION 5

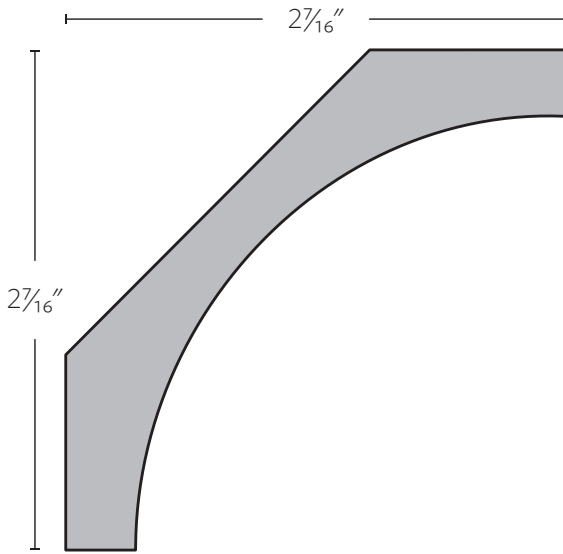
Crown Profiles



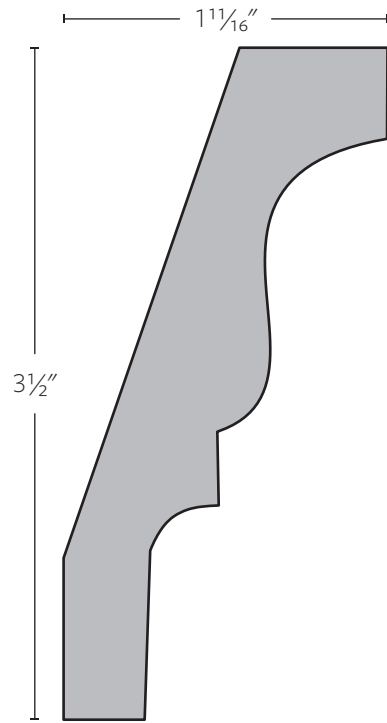
SWD 500 | $\frac{3}{4}'' \times \frac{3}{4}''$



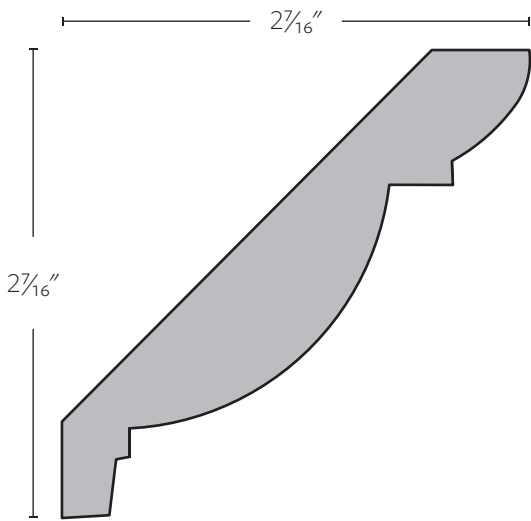
SWD 501 | $1\frac{1}{16}'' \times 1\frac{5}{8}''$



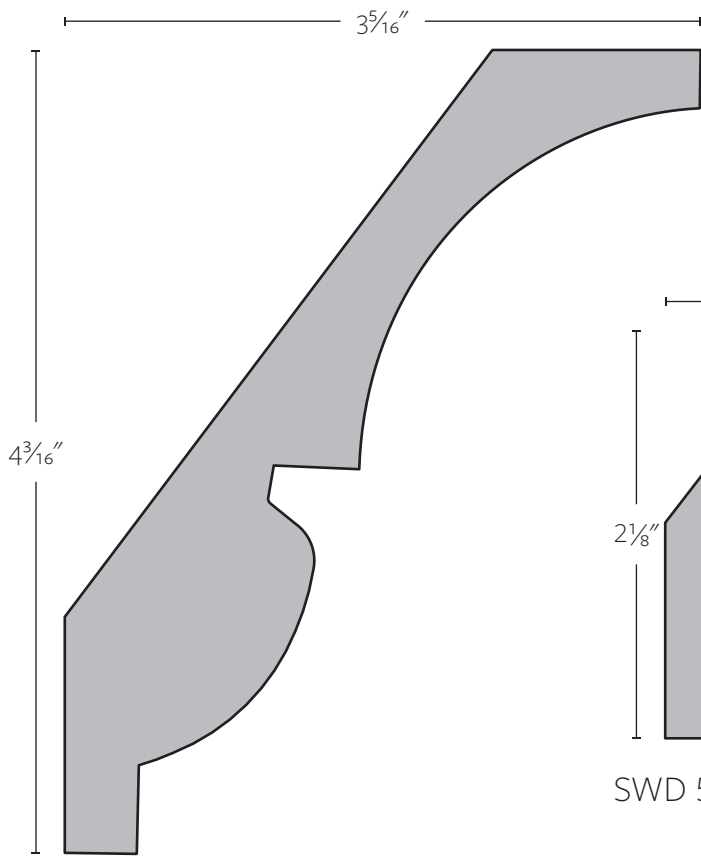
SWD 502 | $1\frac{3}{16}'' \times 3\frac{1}{2}''$ | 45/45



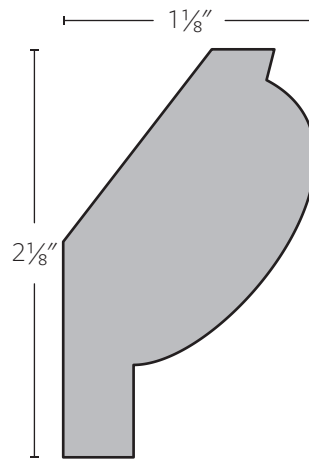
SWD 504 | $\frac{7}{8}'' \times 3\frac{3}{4}''$ | 19/71



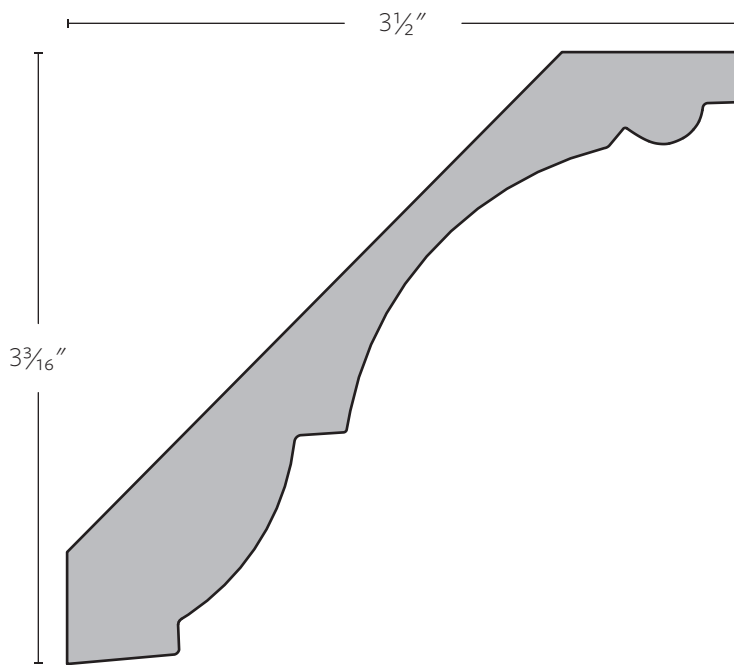
SWD 503 | $\frac{5}{8}'' \times 3\frac{1}{2}''$ | 45/45



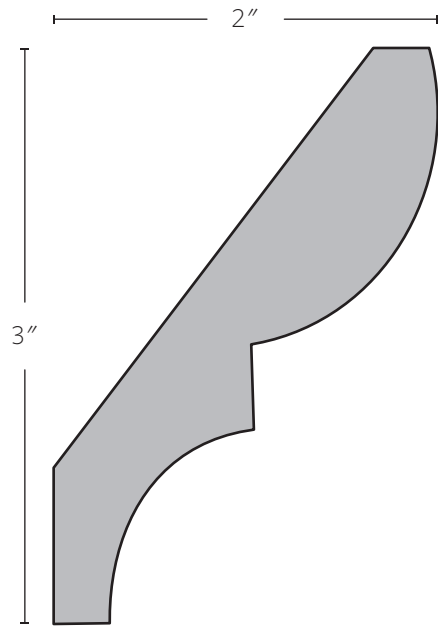
SWD 505 | 1 1/16" x 5 5/16" | 38/52



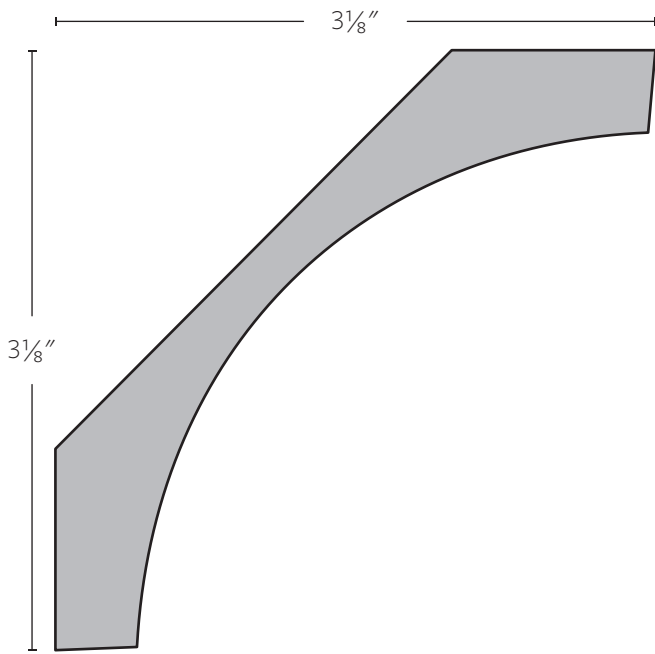
SWD 505-B | 1 1/16" x 2 1/4" | 38/52



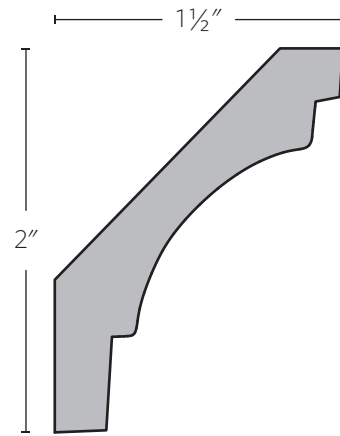
SWD 506 | 1 3/16" x 4 5/8" | 45/45



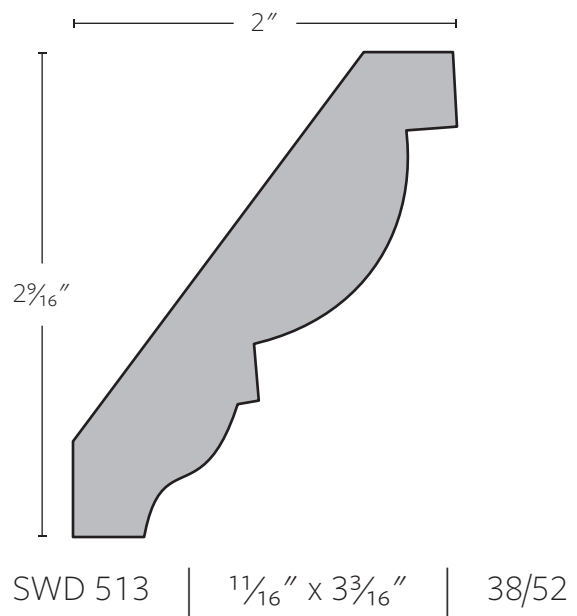
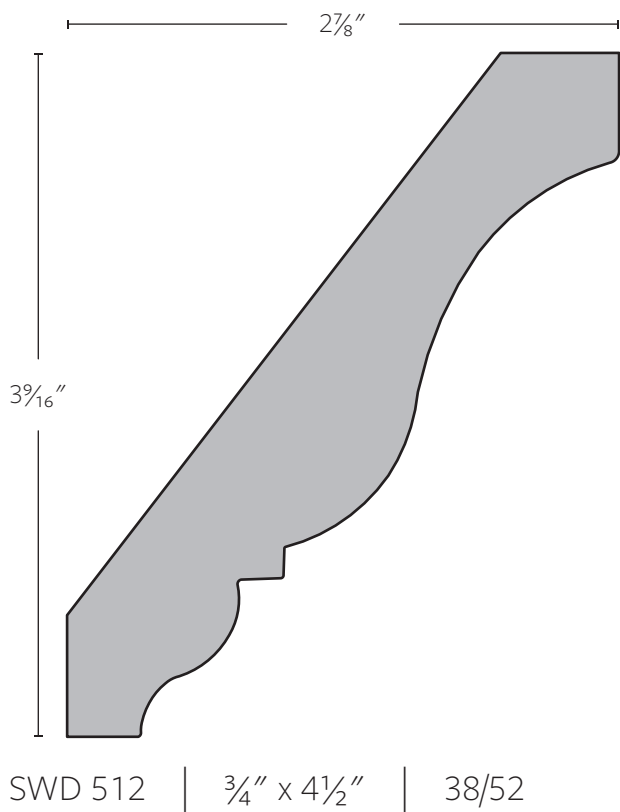
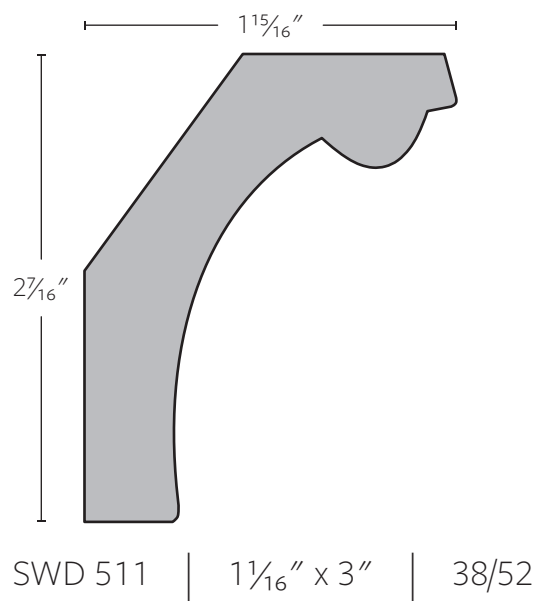
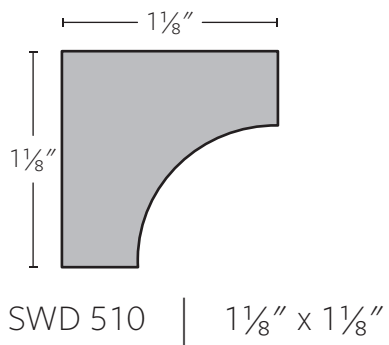
SWD 507 | $\frac{3}{4}'' \times 3\frac{1}{2}''$ | 38/52

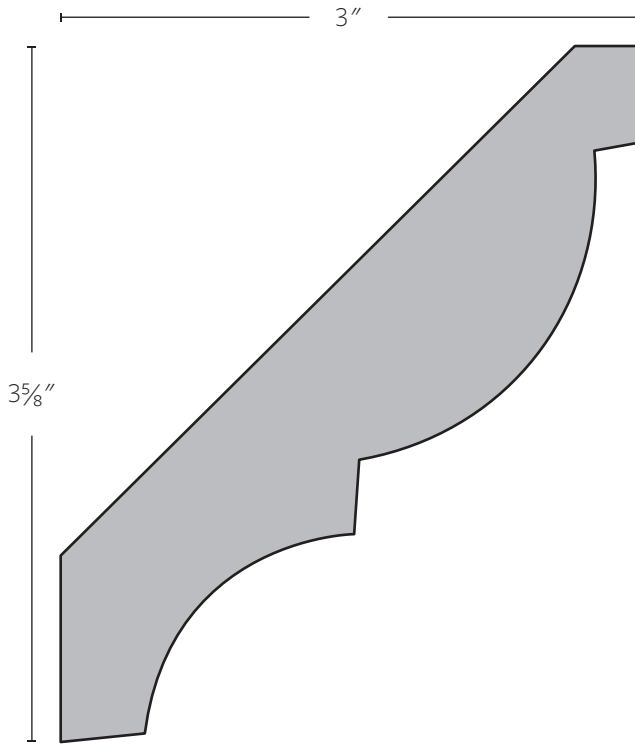


SWD 508 | $1'' \times 4\frac{3}{8}''$ | 45/45

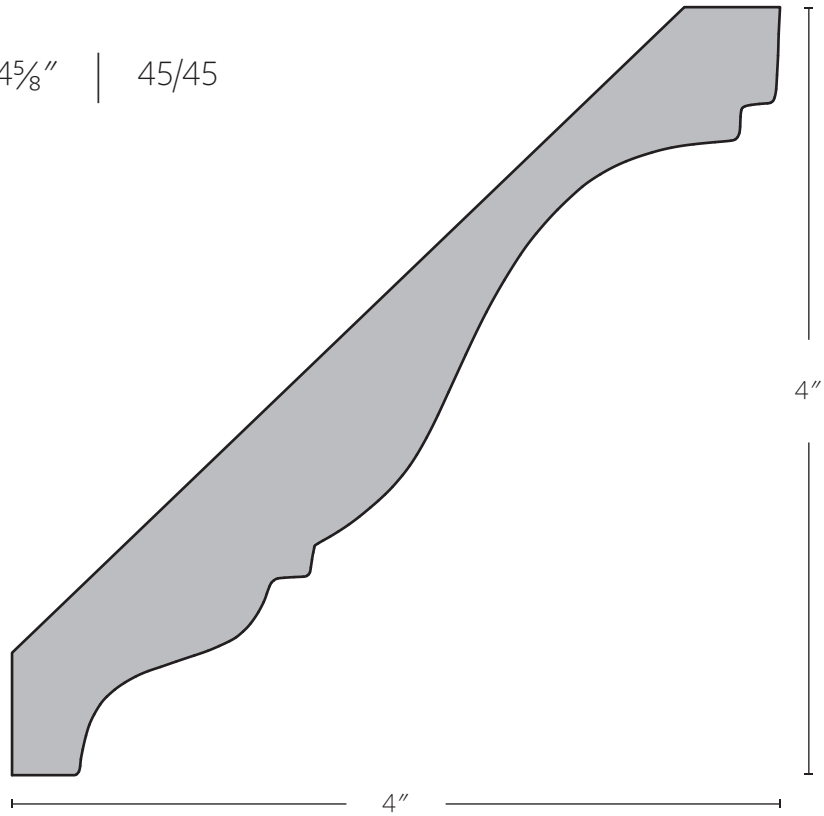


SWD 509 | $\frac{3}{4}'' \times 2\frac{1}{2}''$ | 45/45

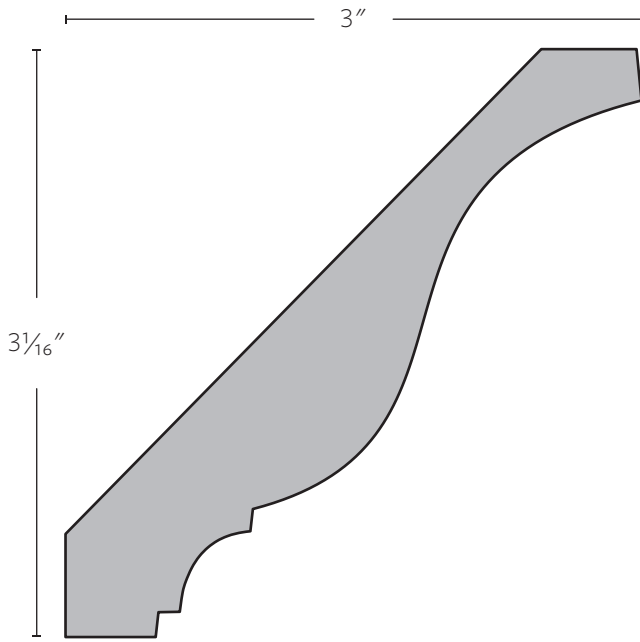




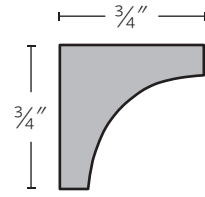
SWD 514 | 1" x 4 5/8" | 45/45



SWD 515 | 3/4" x 5 5/8" | 45/45



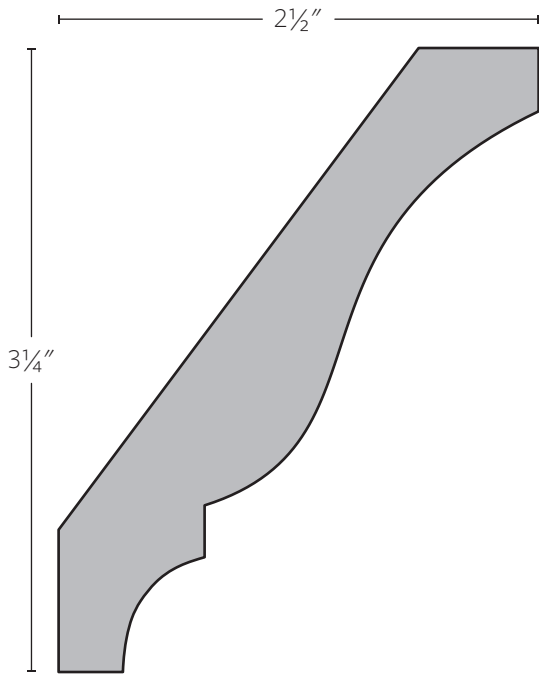
SWD 516 | $1\frac{3}{16}'' \times 4\frac{1}{4}''$ | 45/45



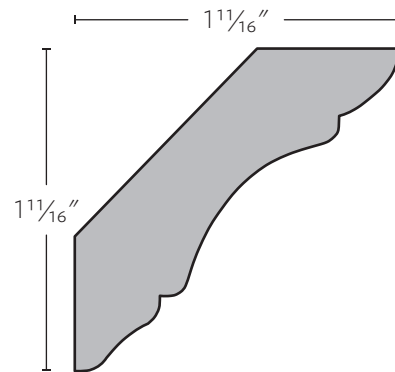
SWD 517 | $\frac{3}{4}'' \times \frac{3}{4}''$



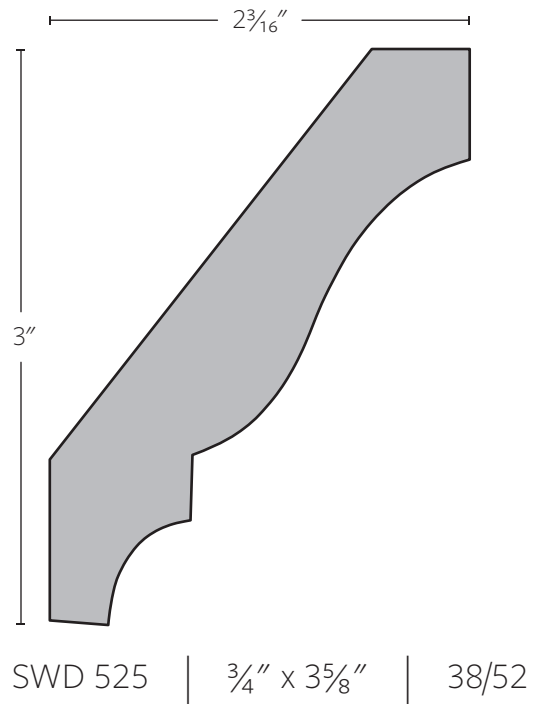
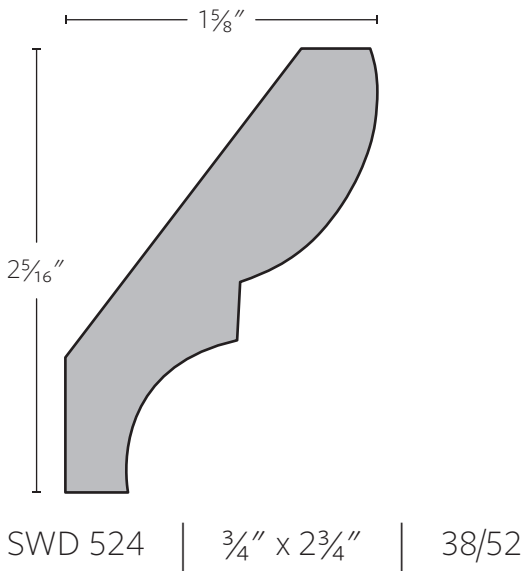
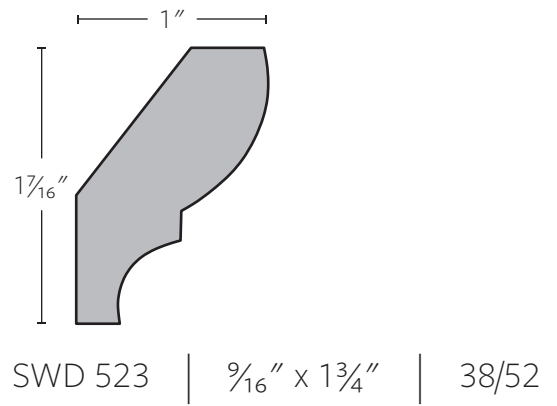
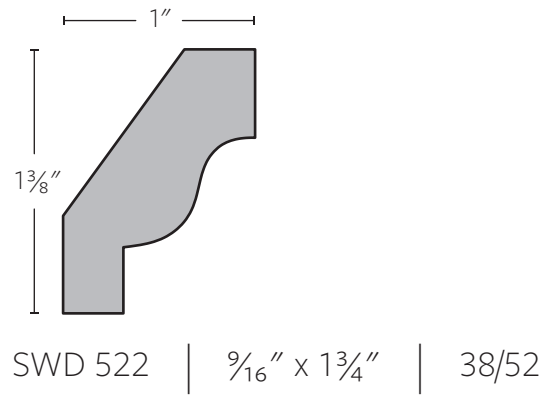
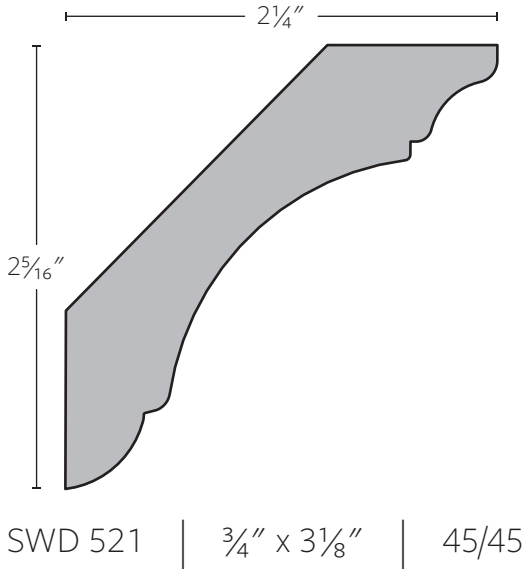
SWD 518 | $\frac{15}{16}'' \times 1\frac{3}{4}''$

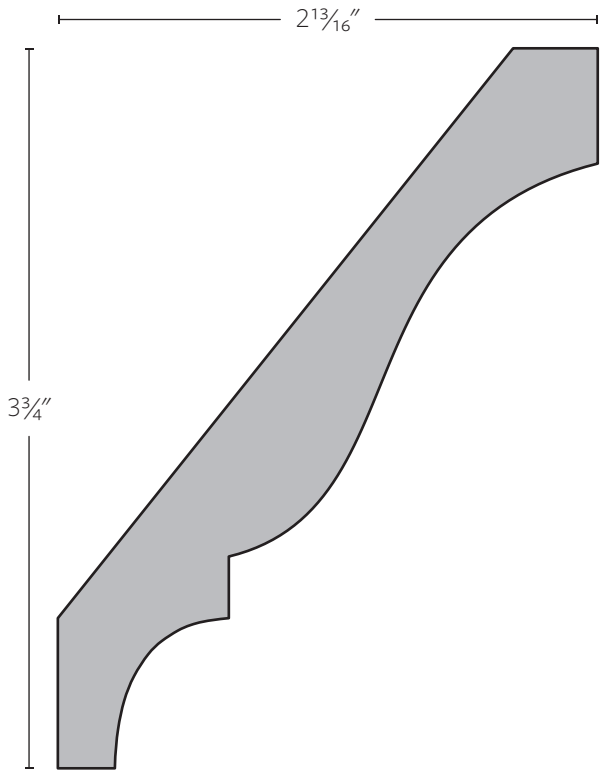


SWD 519 | $\frac{3}{4}'' \times 4\frac{1}{8}''$ | 38/52

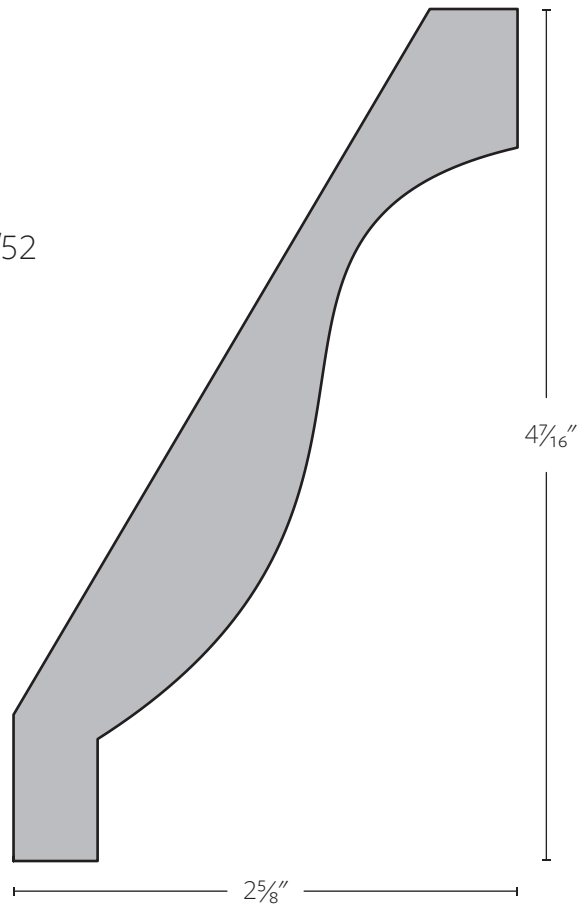


SWD 520 | $\frac{3}{4}'' \times 2\frac{3}{8}''$ | 45/45

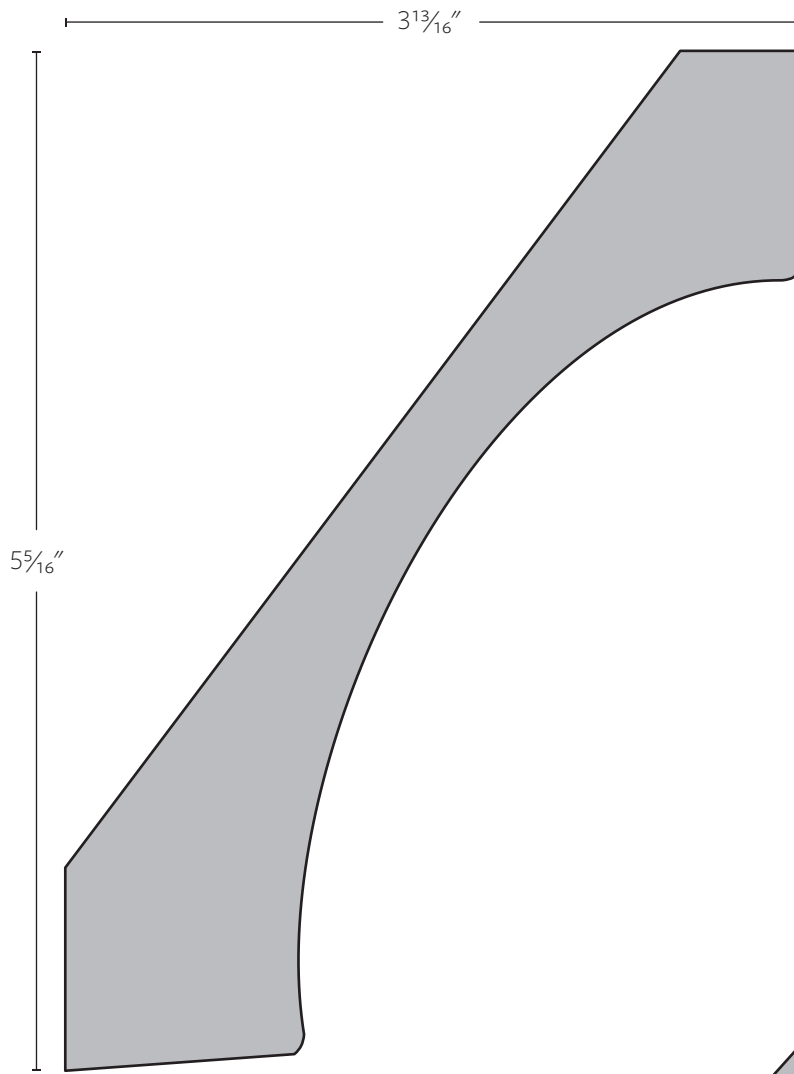




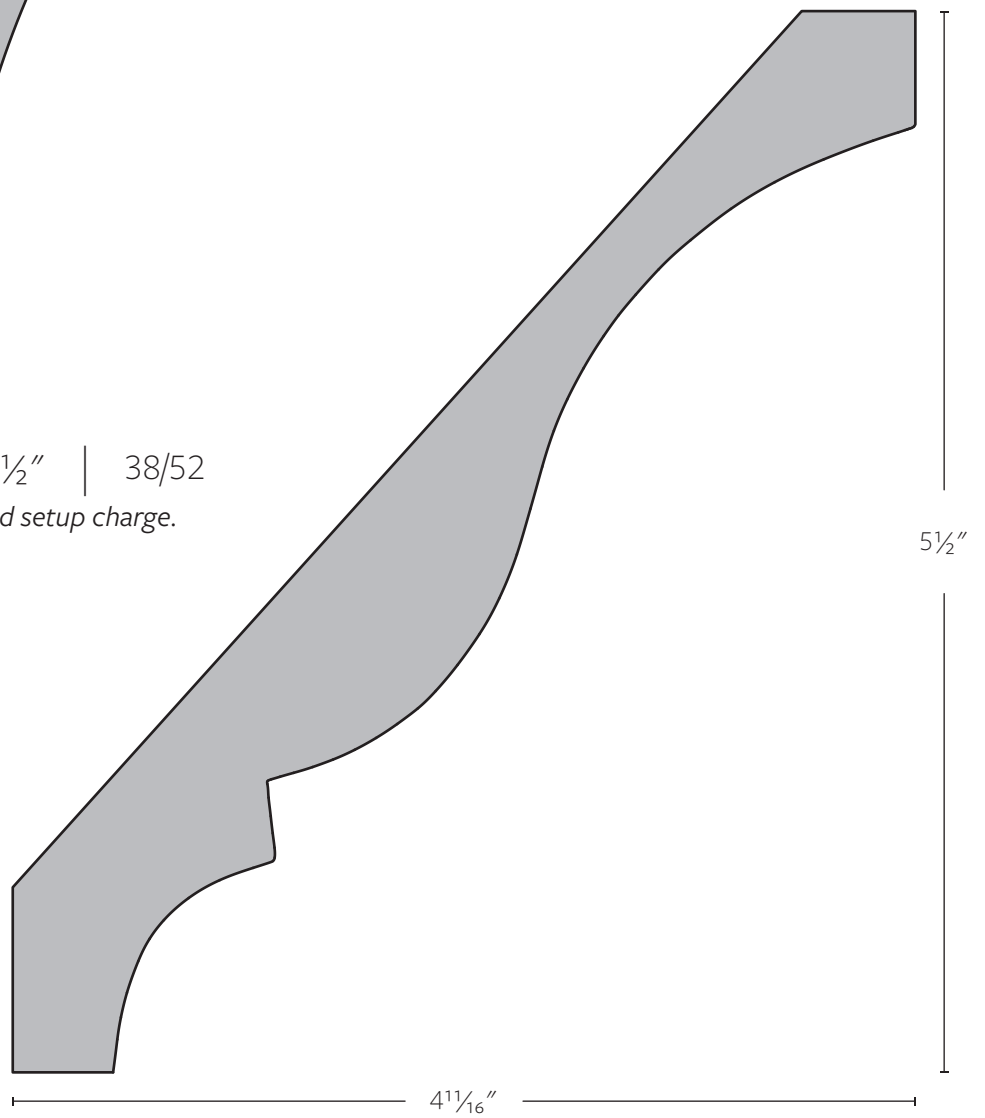
SWD 526 | $\frac{3}{4}'' \times 4\frac{5}{8}''$ | 38/52



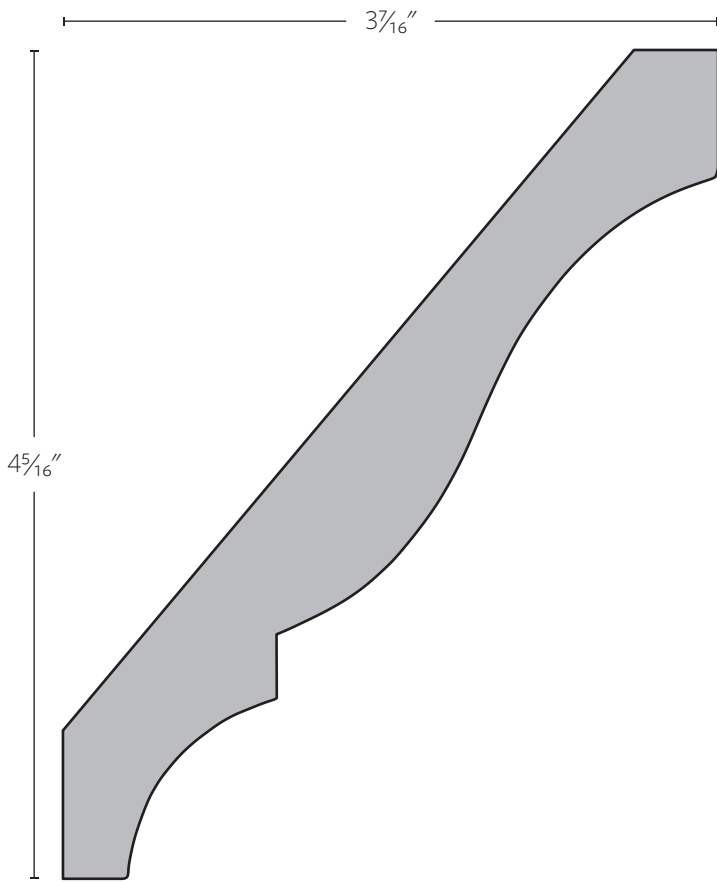
SWD 527 | $\frac{3}{4}'' \times 5\frac{1}{4}''$ | 30/60



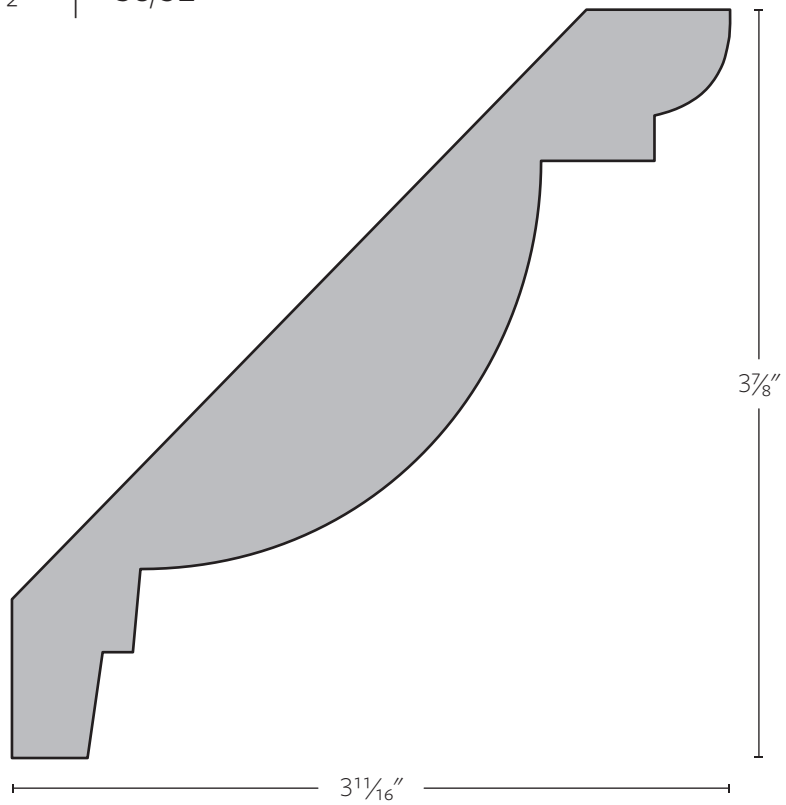
SWD 528 | 1 5/8" x 6 1/2" | 38/52
This profile requires an added setup charge.



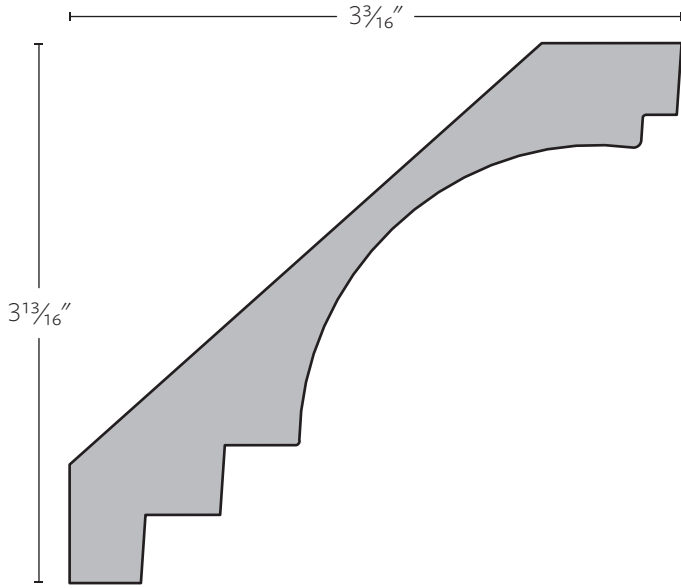
SWD 529 | 1" x 7 1/4" | 38/52



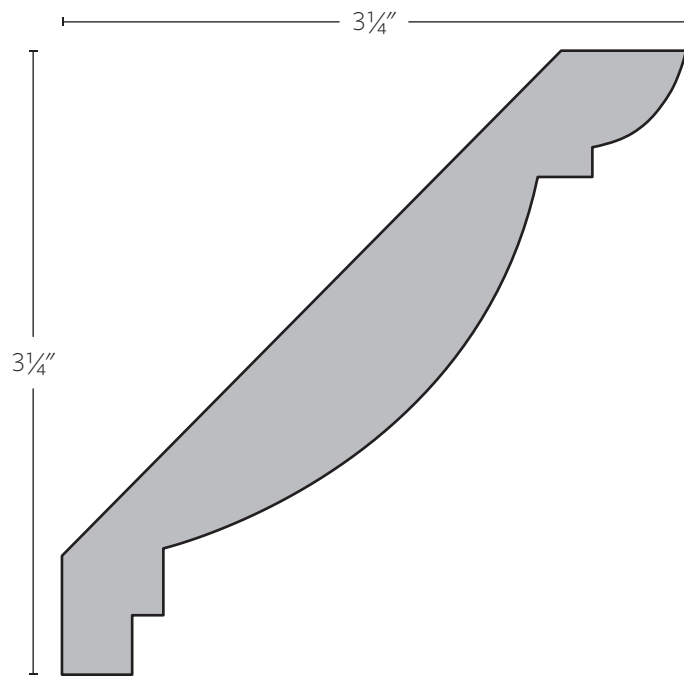
SWD 530 | $\frac{3}{4}'' \times 5\frac{1}{2}''$ | 38/52



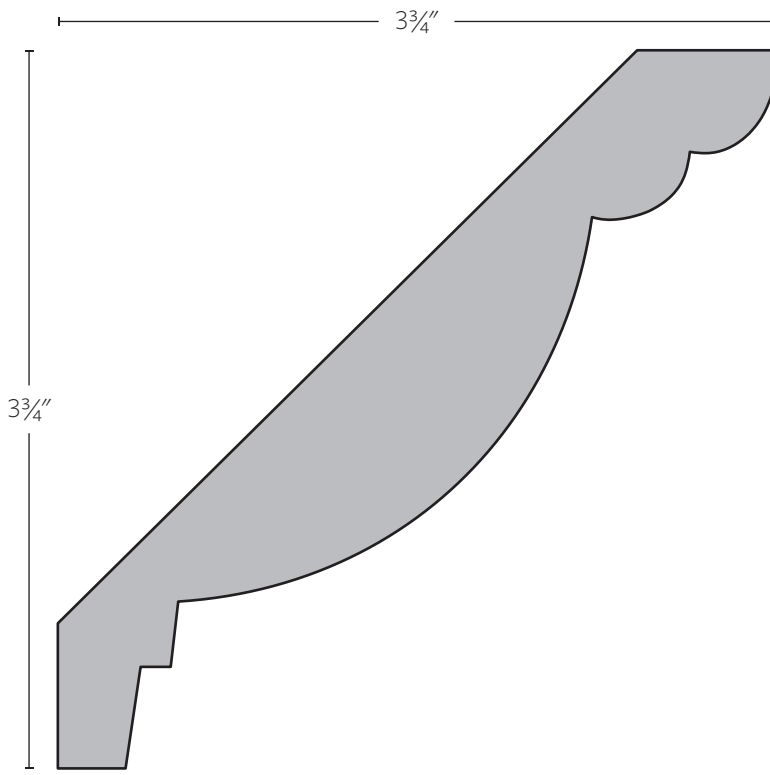
SWD 531 | $1'' \times 5\frac{3}{8}''$ | 45/45



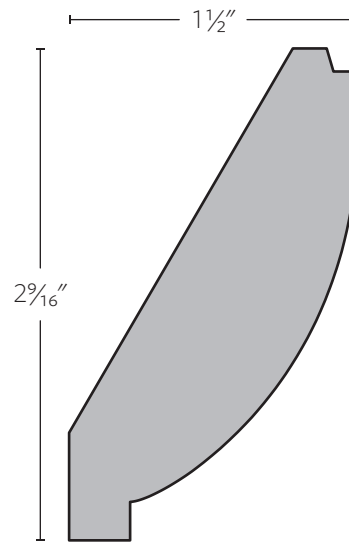
SWD 532 | $\frac{3}{4}$ " x $4\frac{1}{4}$ " | 45/45



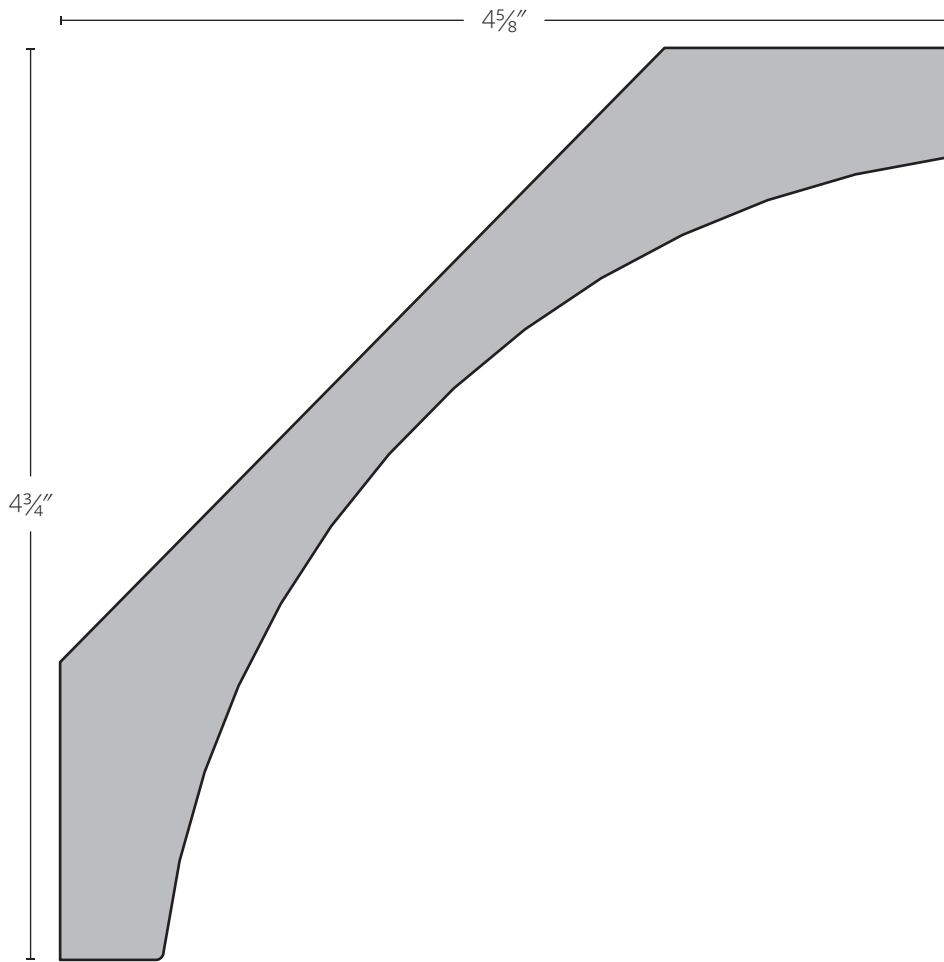
SWD 533 | $\frac{3}{4}$ " x $4\frac{1}{2}$ " | 45/45



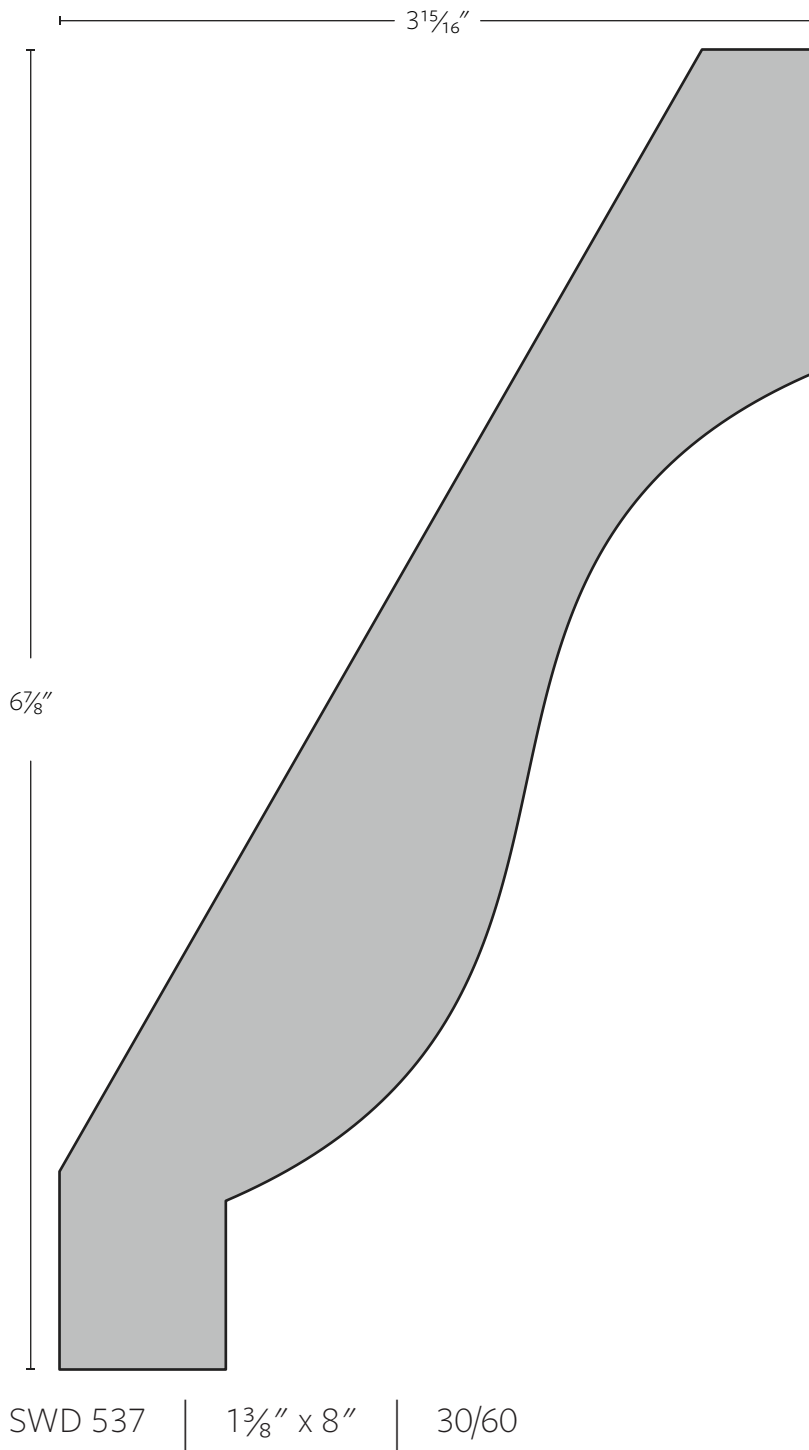
SWD 534 | 1" x 5 3/8" | 45/45

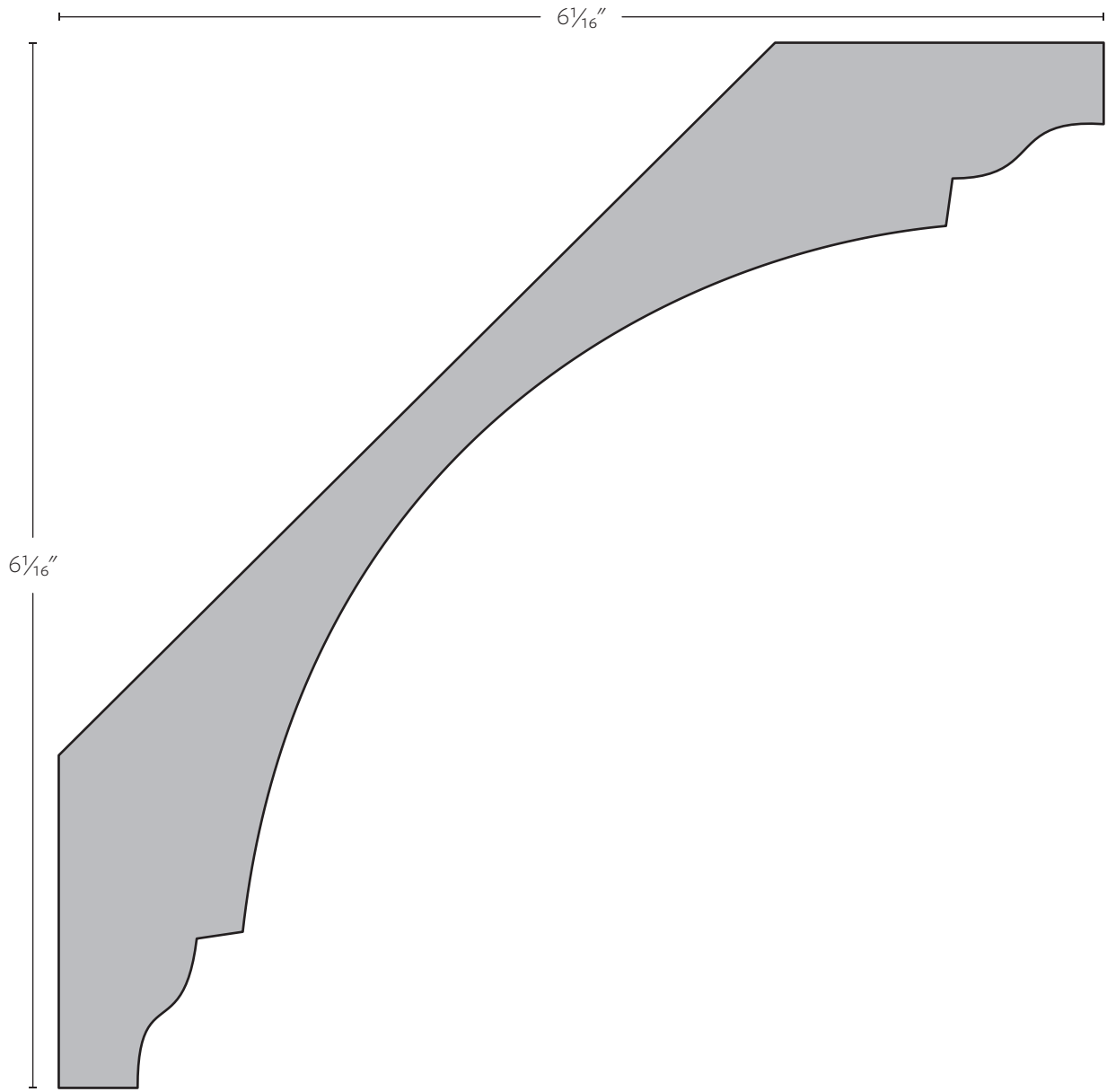


SWD 535 | 7/8" x 2 7/8" | 30/60

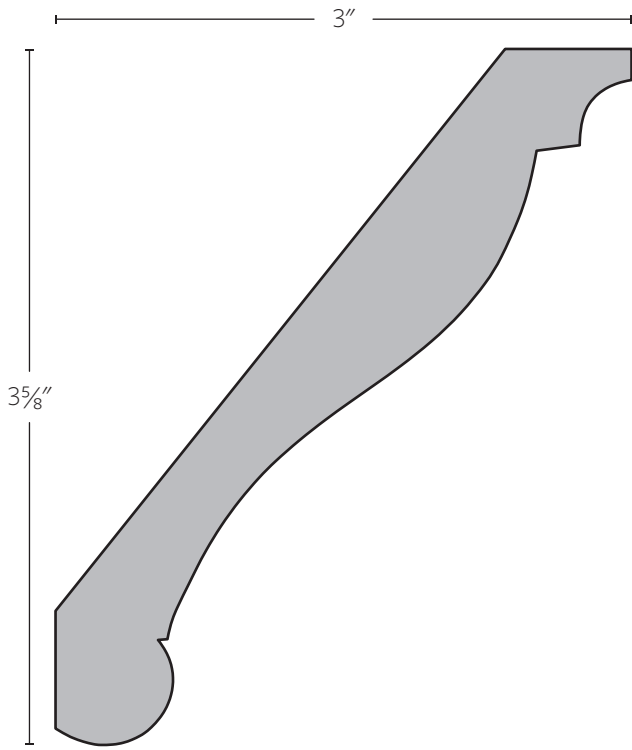


SWD 536 | 1 5/8" x 6 5/8" | 45/45
This profile requires an added setup charge.

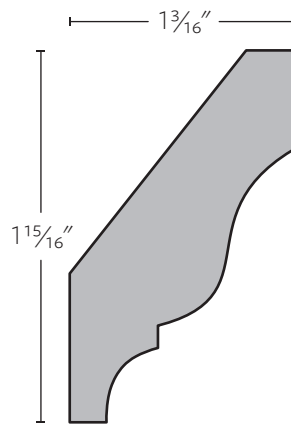




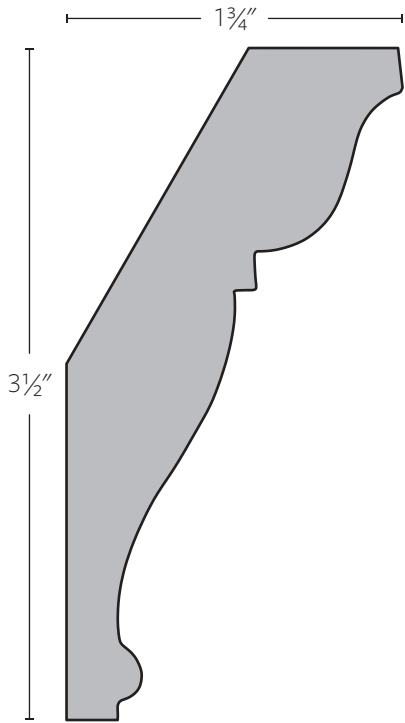
SWD 538 | $1\frac{5}{8}$ " x $8\frac{5}{8}$ " | 45/45



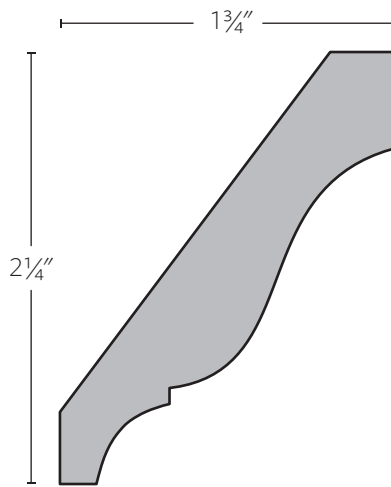
SWD 539 | $\frac{3}{4}'' \times 4\frac{1}{2}''$ | 38/52



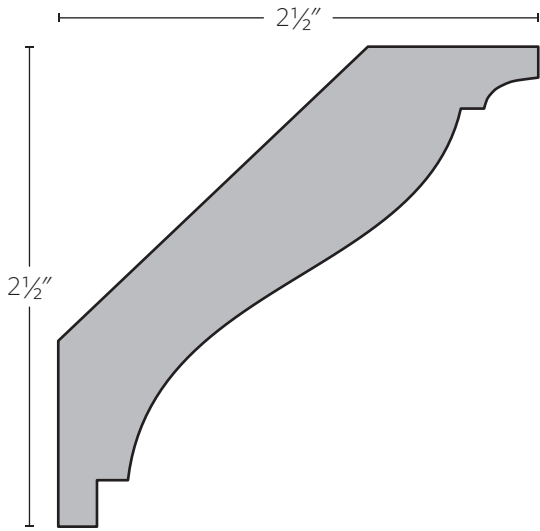
SWD 540 | $\frac{3}{4}'' \times 2\frac{1}{4}''$ | 38/52



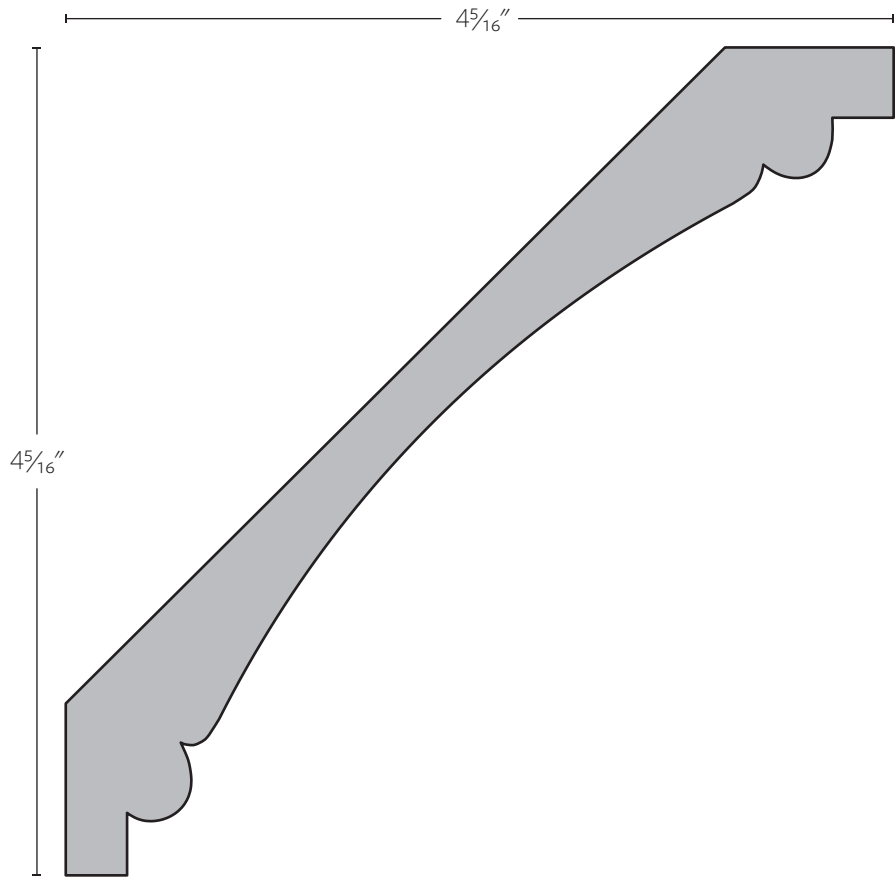
SWD 541 | $1\frac{3}{16}'' \times 3\frac{7}{8}''$ | 30/60



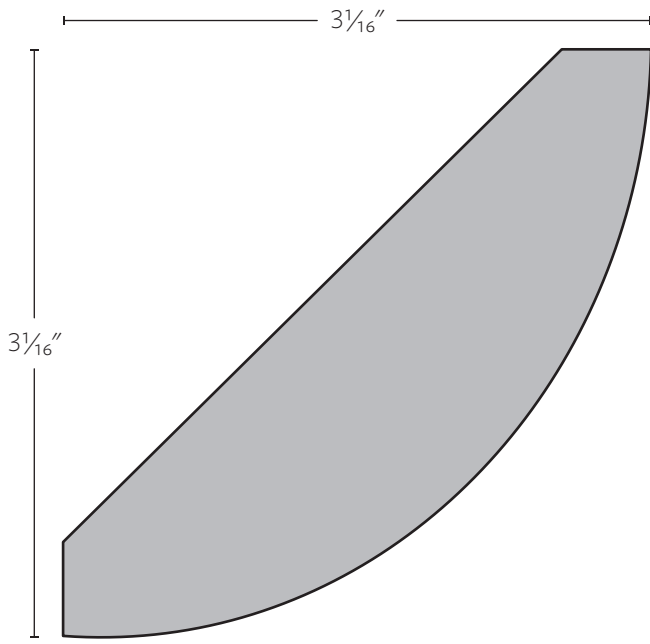
SWD 542 | $\frac{9}{16}'' \times 2\frac{3}{4}''$ | 38/52



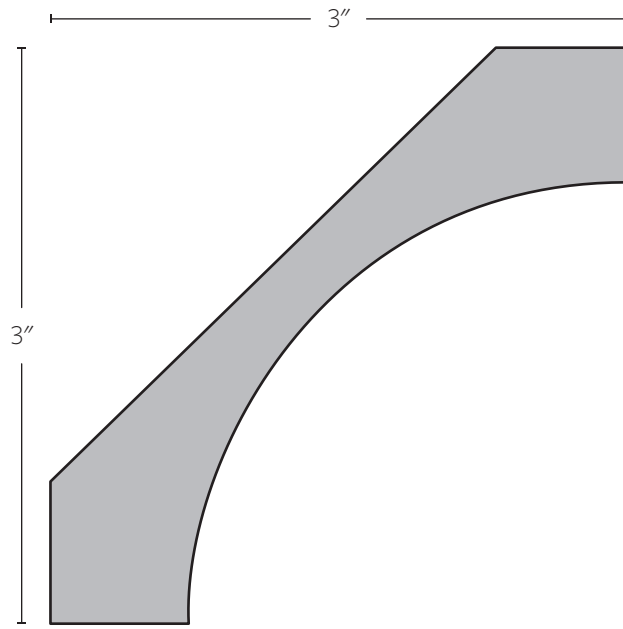
SWD 543 | $\frac{3}{4}'' \times 3\frac{1}{2}''$ | 45/45



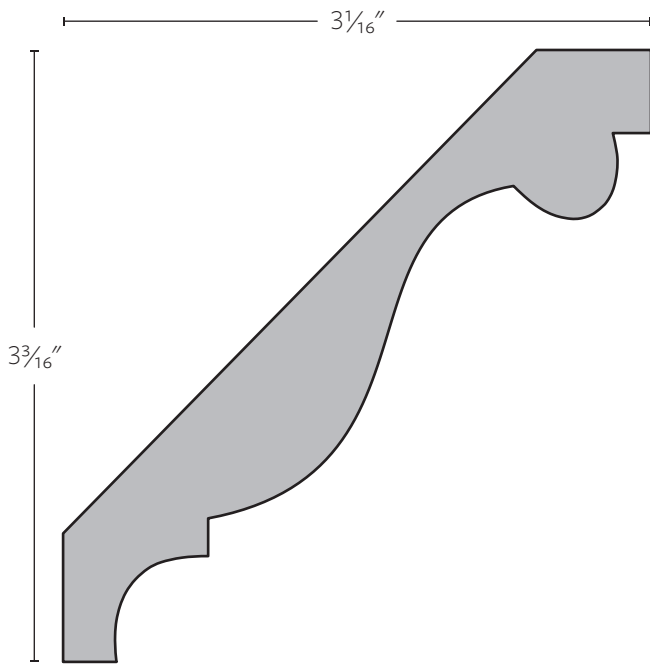
SWD 544 | $\frac{7}{8}'' \times 6''$ | 45/45



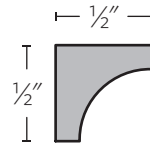
SWD 545 | $1\frac{1}{4}$ " x $4\frac{1}{4}$ " | 45/45



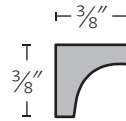
SWD 546 | 1" x $4\frac{1}{4}$ " | 45/45



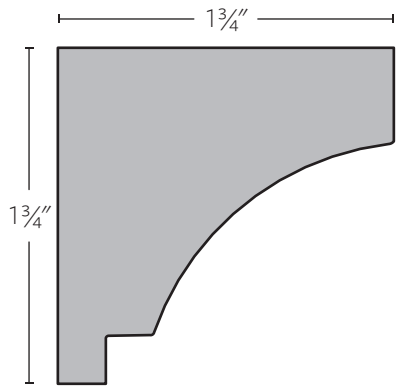
SWD 547 | 3/4" x 4 3/8" | 45/45



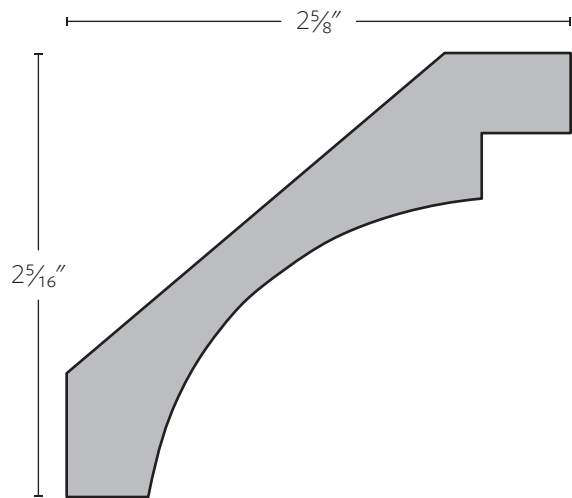
SWD 548 | 1/2" x 1/2"



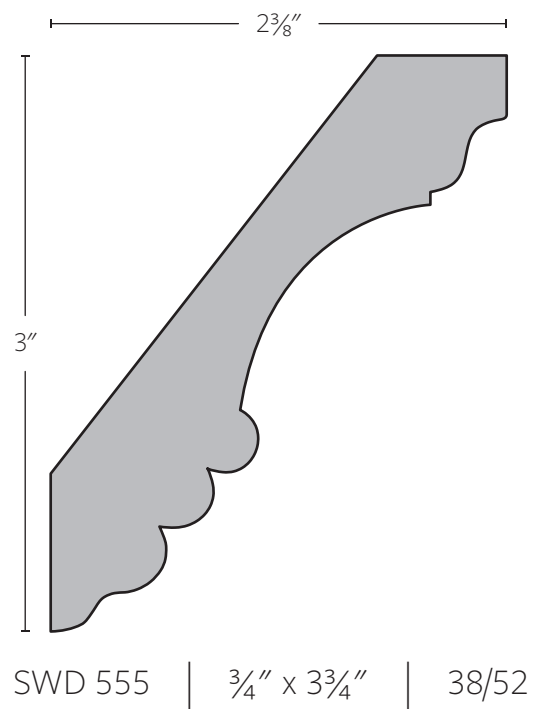
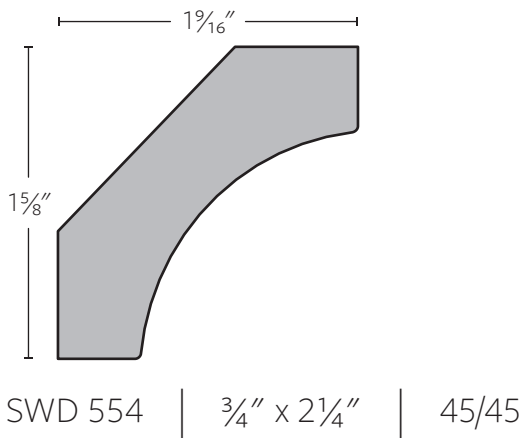
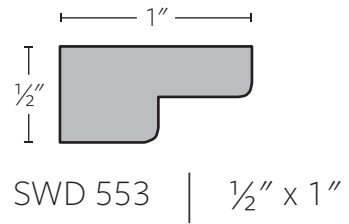
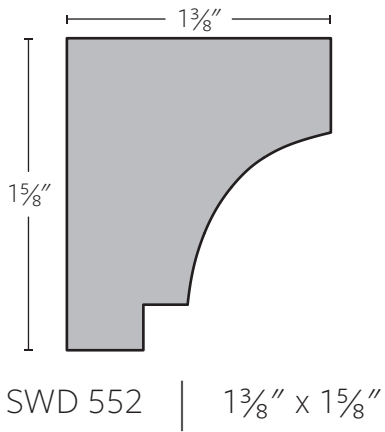
SWD 549 | 3/8" x 3/8"

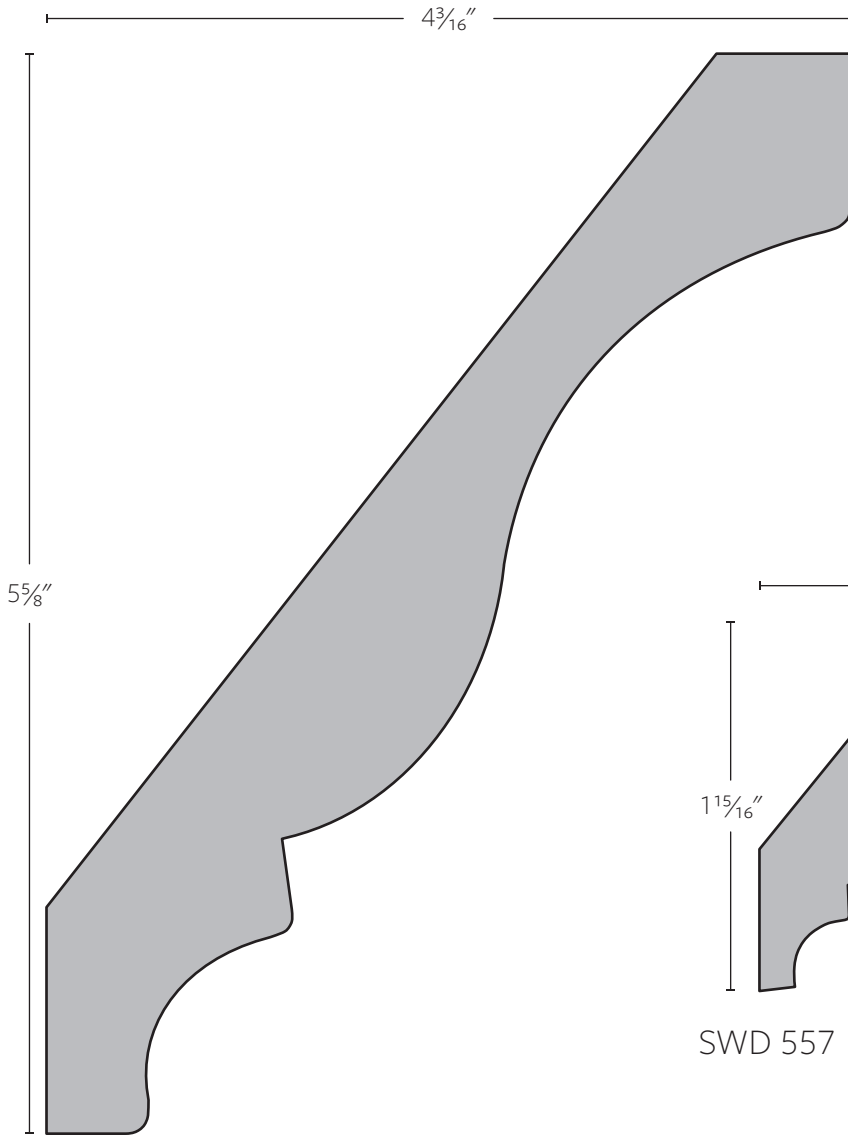


SWD 550 | 1 3/4" x 1 3/4"

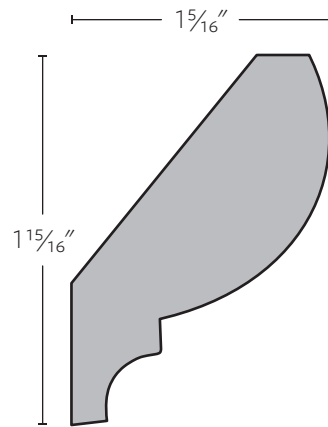


SWD 551 | 3/4" x 3 9/16" | 45/45

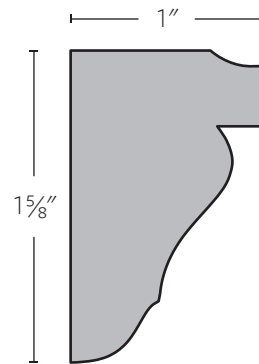




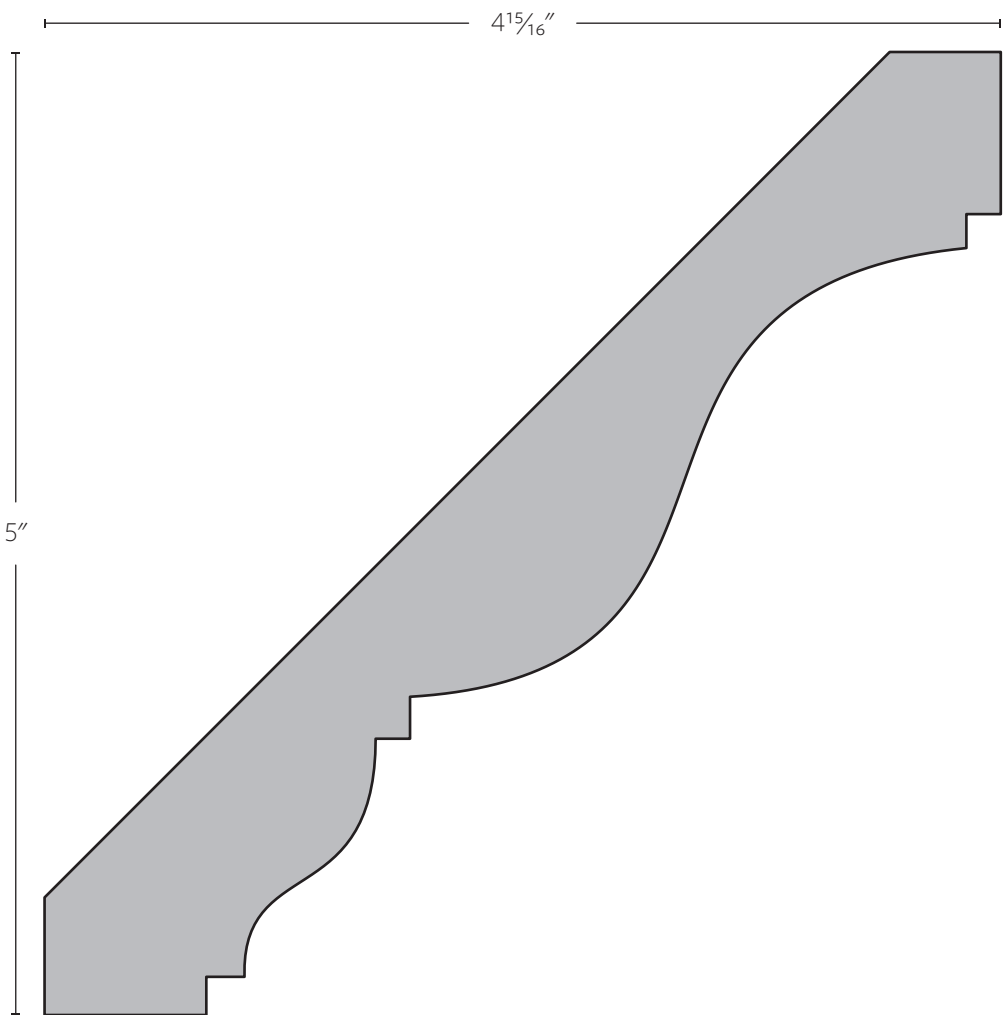
SWD 556 | $1\frac{1}{16}'' \times 7''$ | 38/52



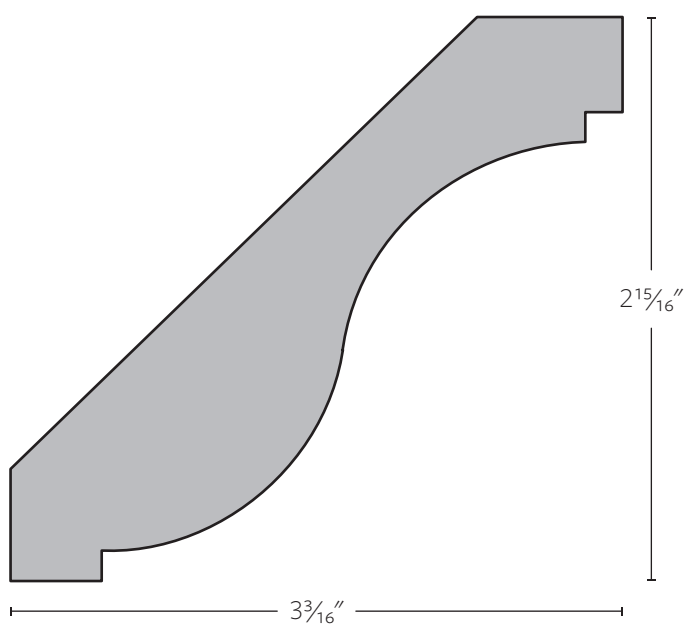
SWD 557 | $\frac{3}{4}'' \times 2\frac{5}{16}''$ | 38/52



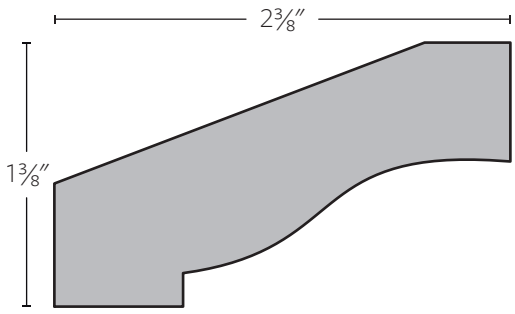
SWD 558 | $1\frac{3}{16}'' \times 1\frac{7}{8}''$ | 30/60



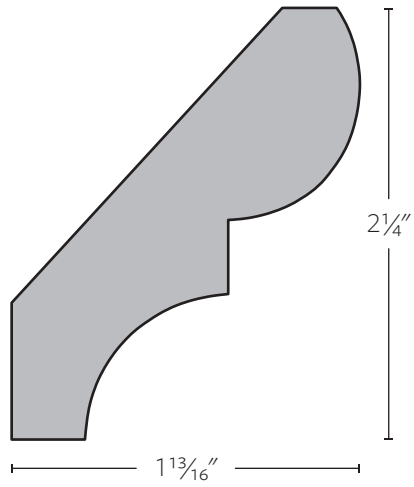
SWD 559 | 1 1/16" x 7" | 45/45



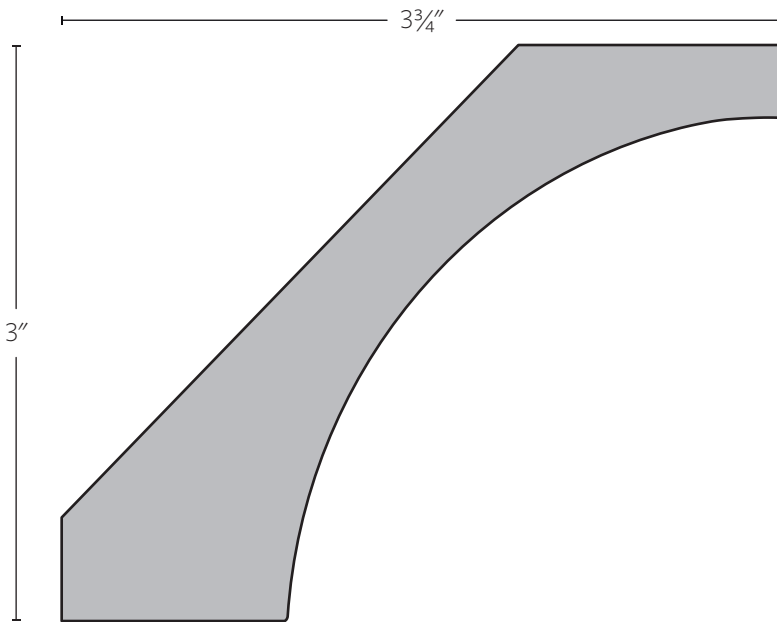
SWD 560 | 1" x 4 5/16" | 45/45



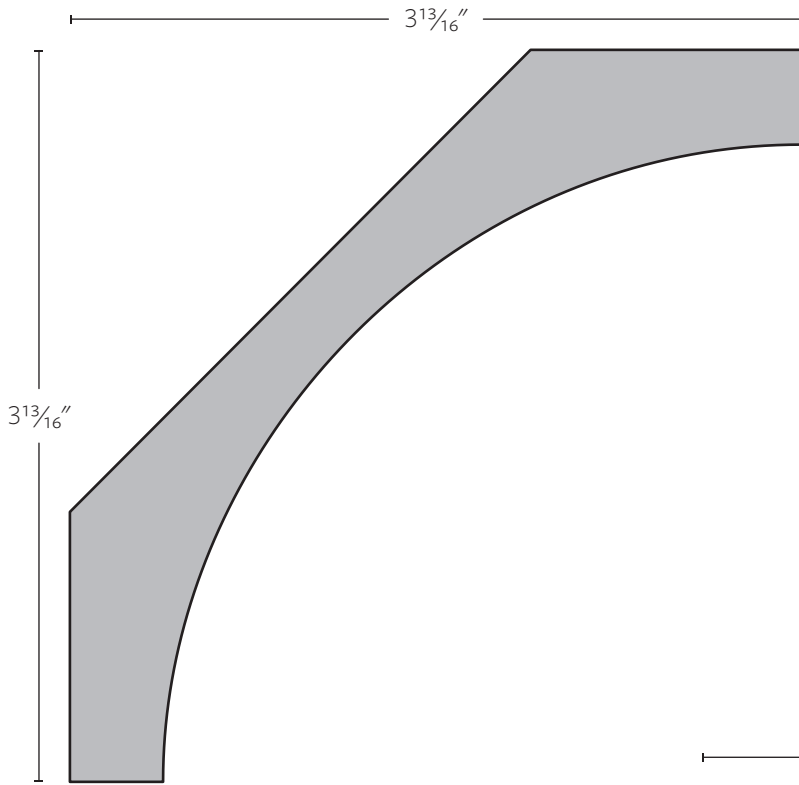
SWD 561 | $1\frac{3}{16}$ " x $2\frac{11}{16}$ " | 19/71



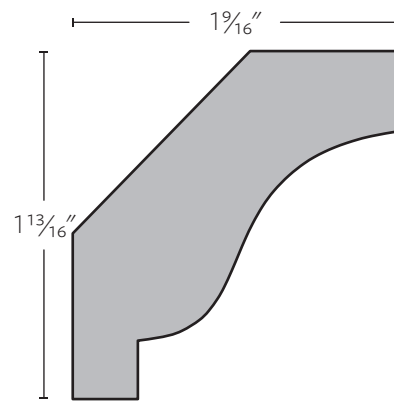
SWD 562 | $\frac{3}{4}$ " x $2\frac{13}{16}$ " | 45/45



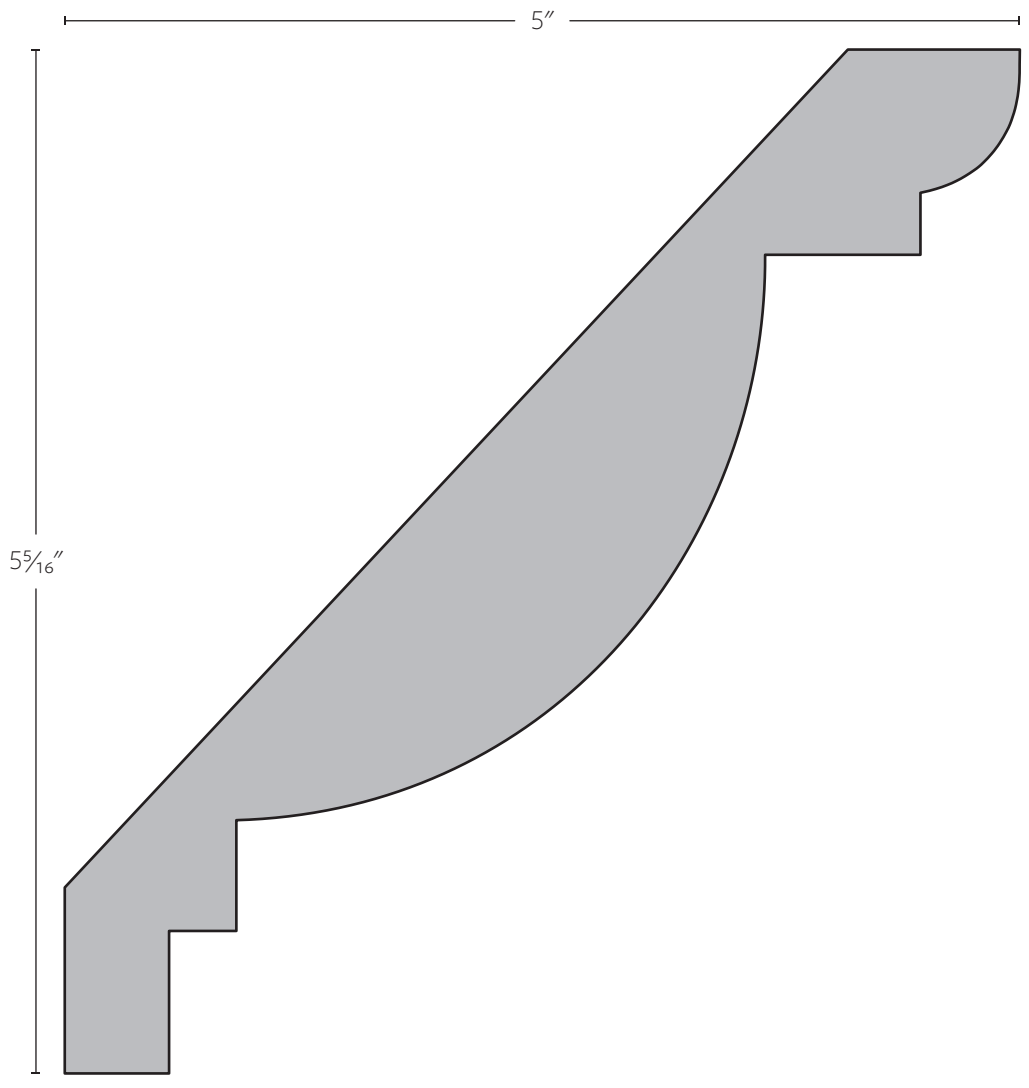
SWD 563 | $1\frac{1}{4}$ " x $4\frac{7}{8}$ " | 45/45



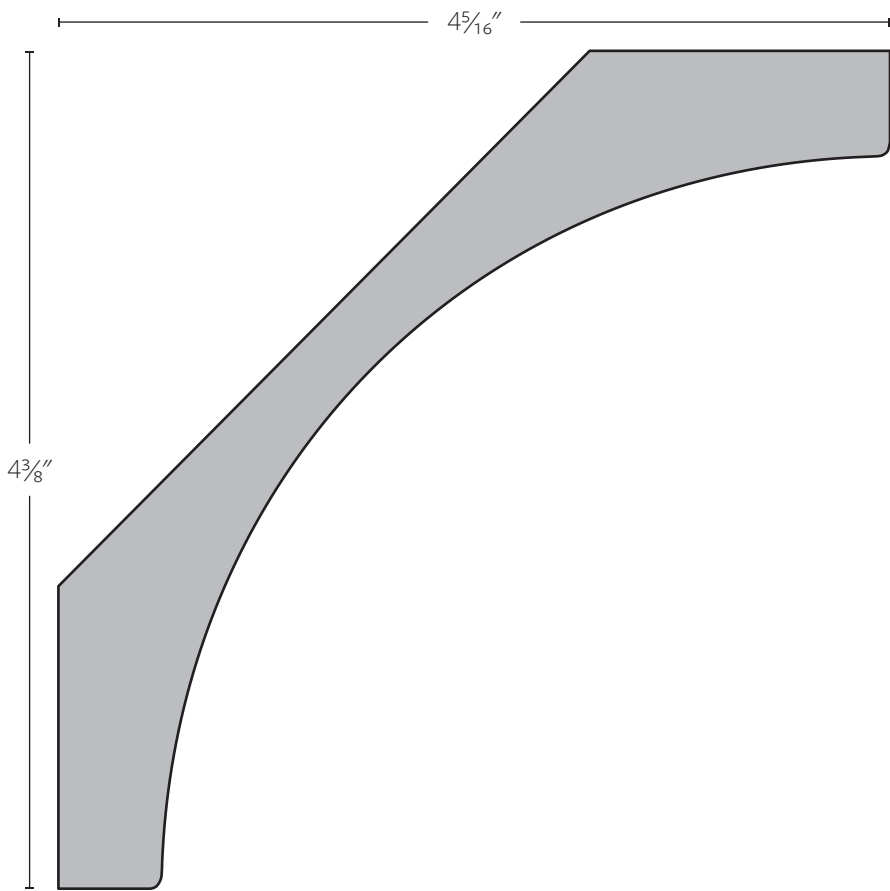
SWD 564 | $1\frac{3}{8}'' \times 5\frac{3}{8}''$ | 45/45
This profile requires an added setup charge.



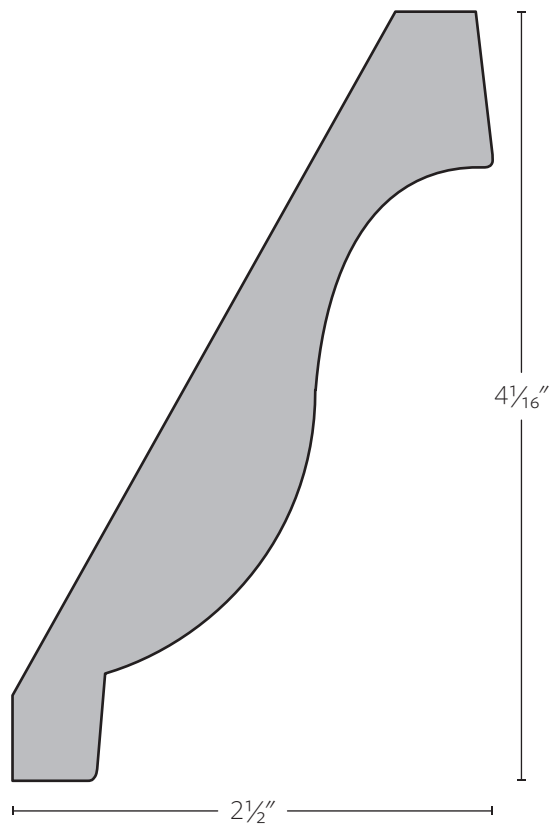
SWD 565 | $\frac{3}{4}'' \times 2\frac{3}{8}''$ | 45/45



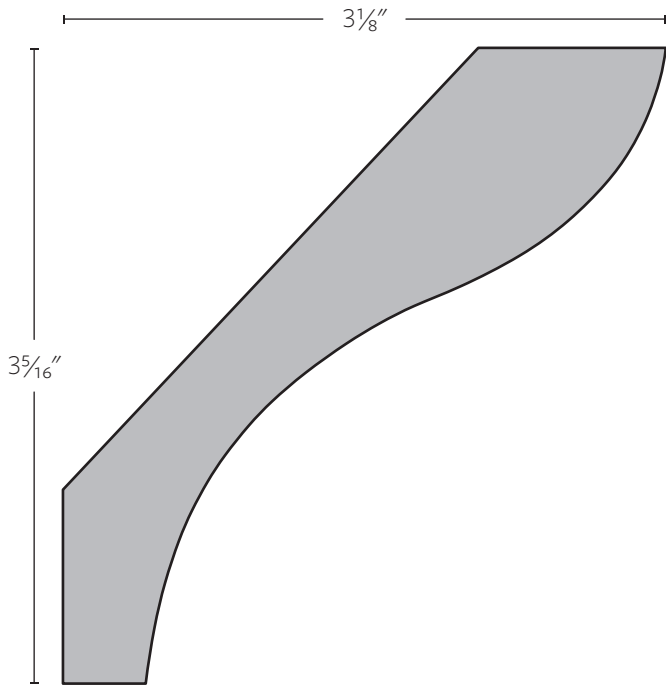
SWD 566 | 1 1/4" x 7 1/4" | 45/45



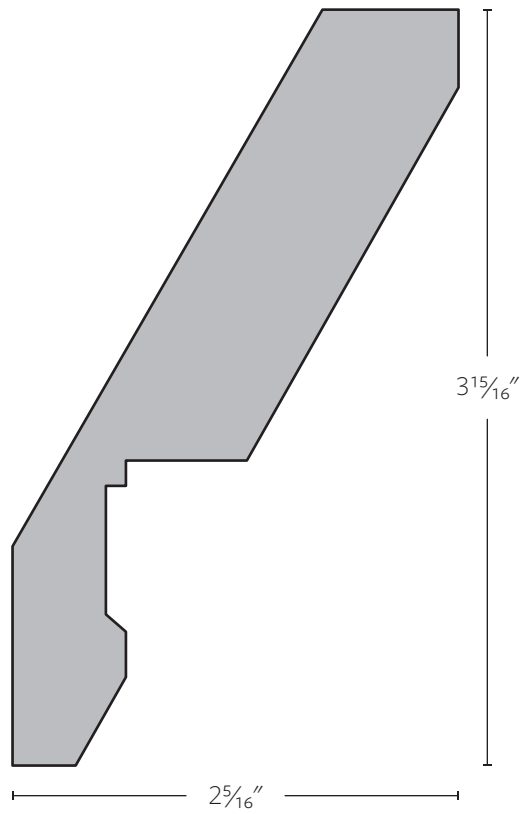
SWD 567 | $1\frac{1}{2}'' \times 6\frac{1}{8}''$ | 45/45
This profile requires an added setup charge.



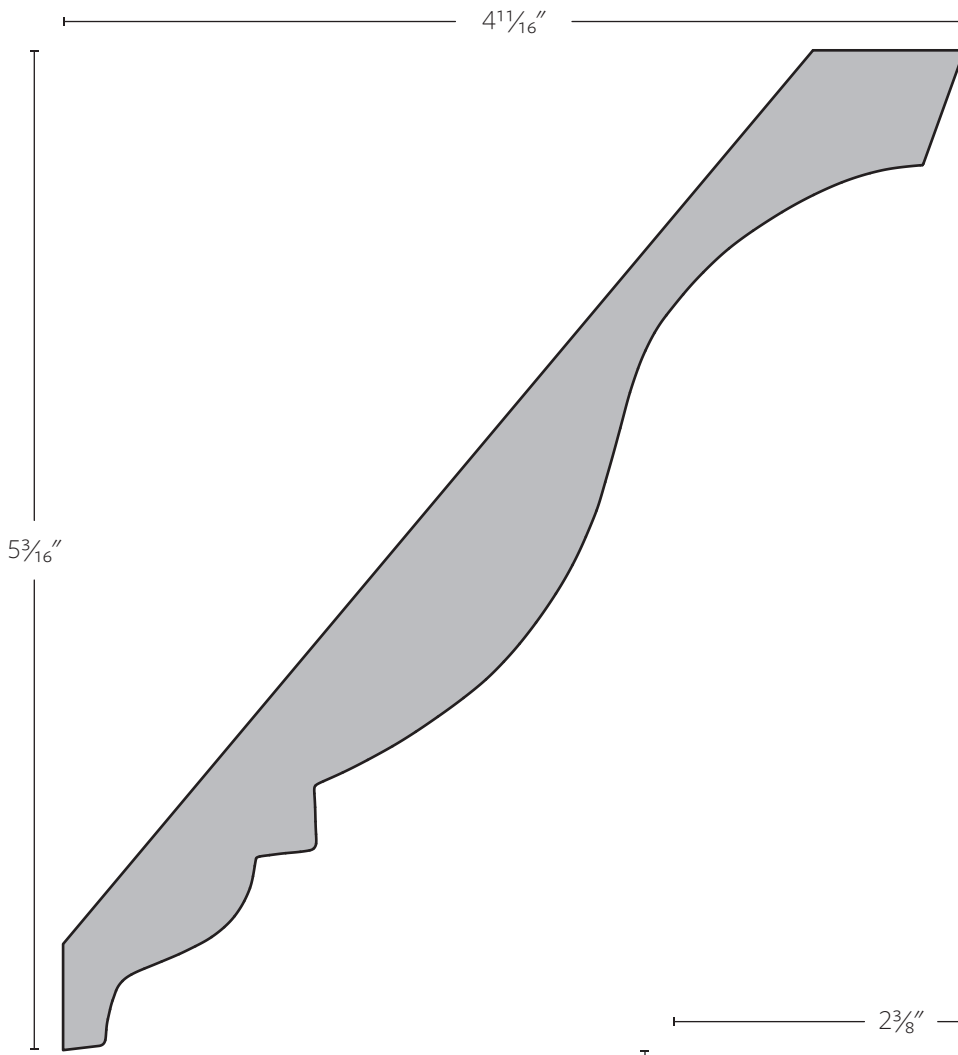
SWD 568 | $1\frac{3}{16}'' \times 4\frac{1}{16}''$ | 30/60



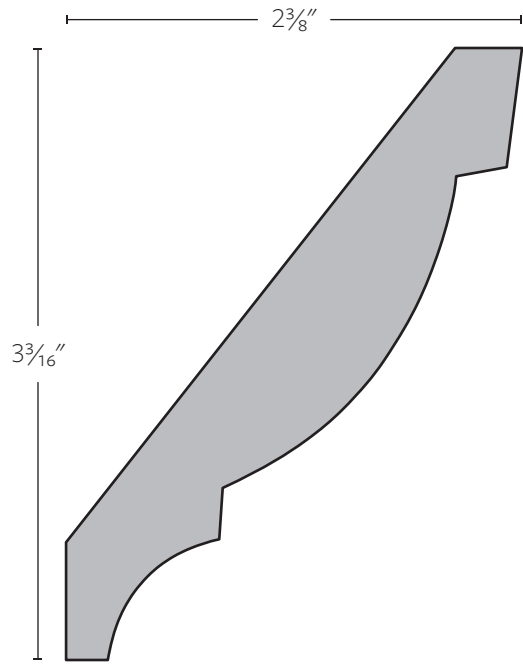
SWD 569 | 1" x 4 $\frac{1}{2}$ " | 45/45



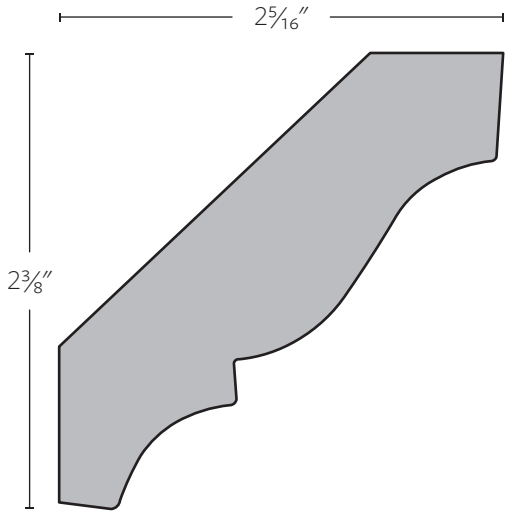
SWD 570 | $1\frac{3}{16}$ " x 4 $\frac{5}{8}$ " | 30/60



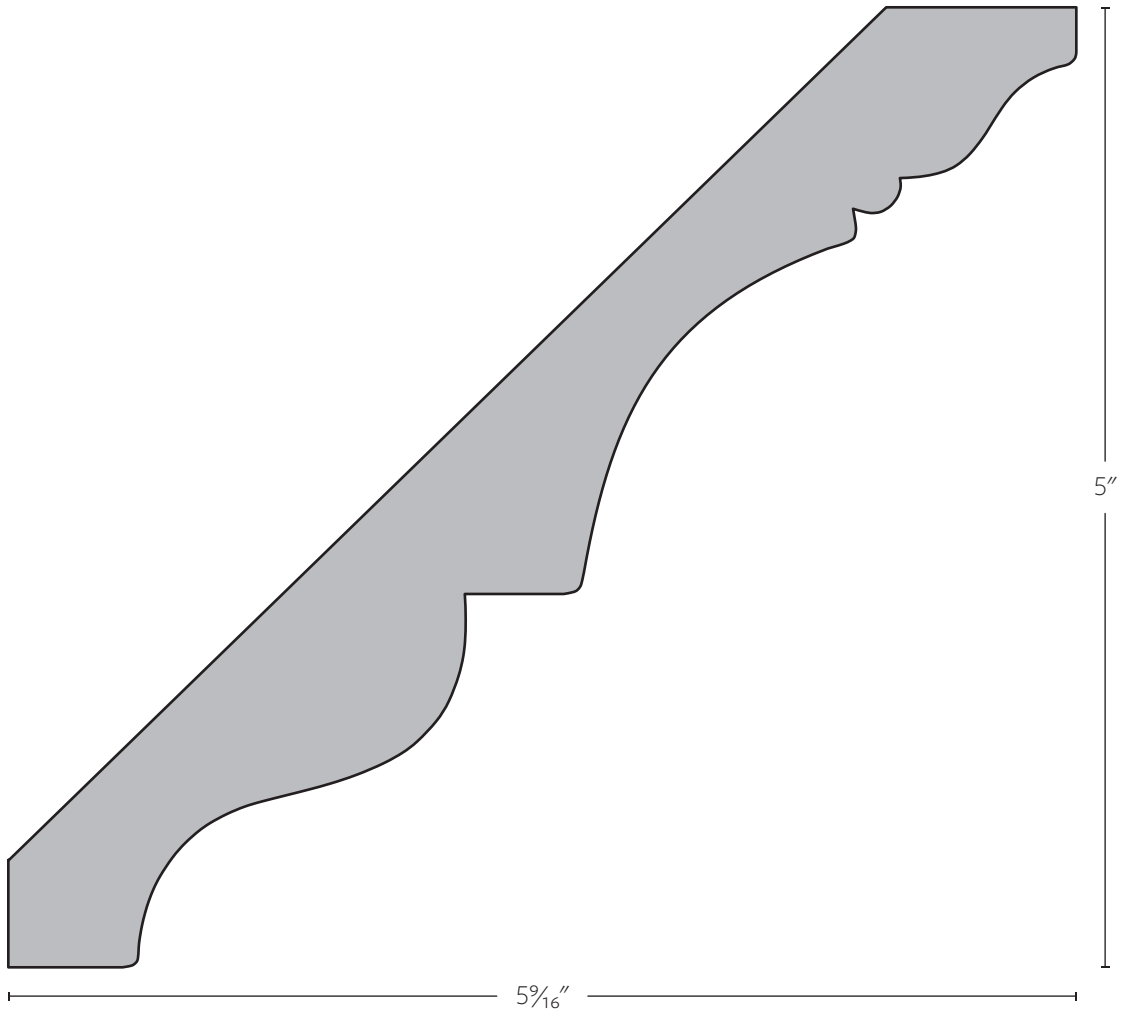
SWD 571 | $1\frac{3}{16}'' \times 7''$ | 38/52



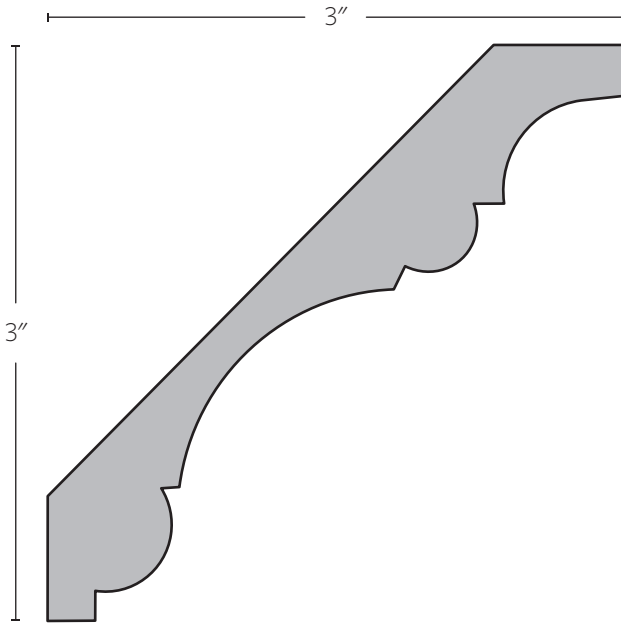
SWD 572 | $\frac{3}{4}'' \times 3\frac{15}{16}''$ | 38/52



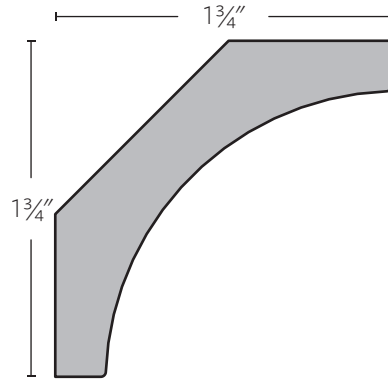
SWD 573 | 3/4" x 3 1/4" | 45/45



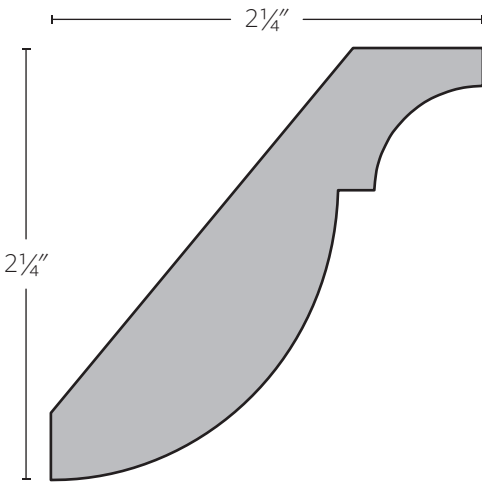
SWD 574 | 1 1/16" x 7 3/8" | 45/45



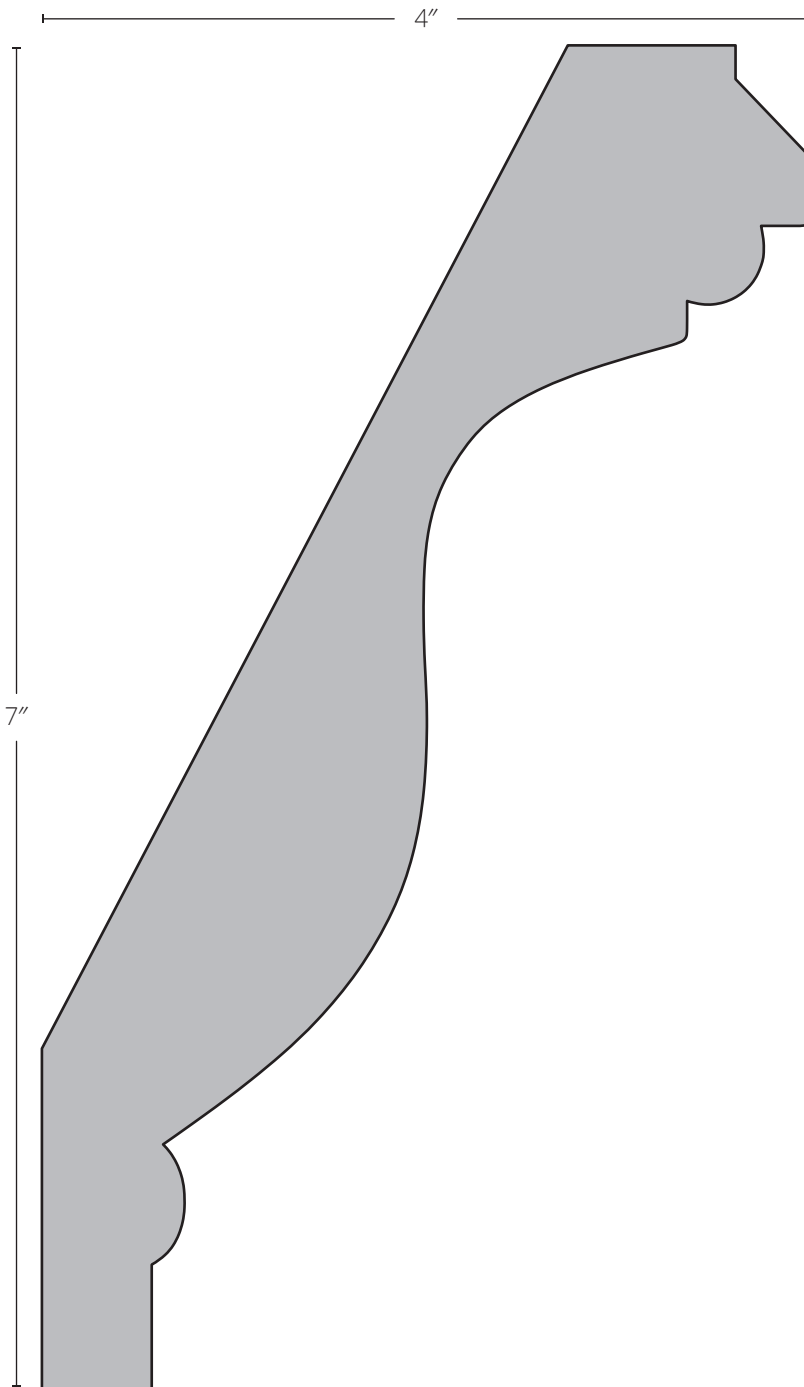
SWD 575 | $1\frac{1}{16}'' \times 4\frac{1}{4}''$ | 45/45



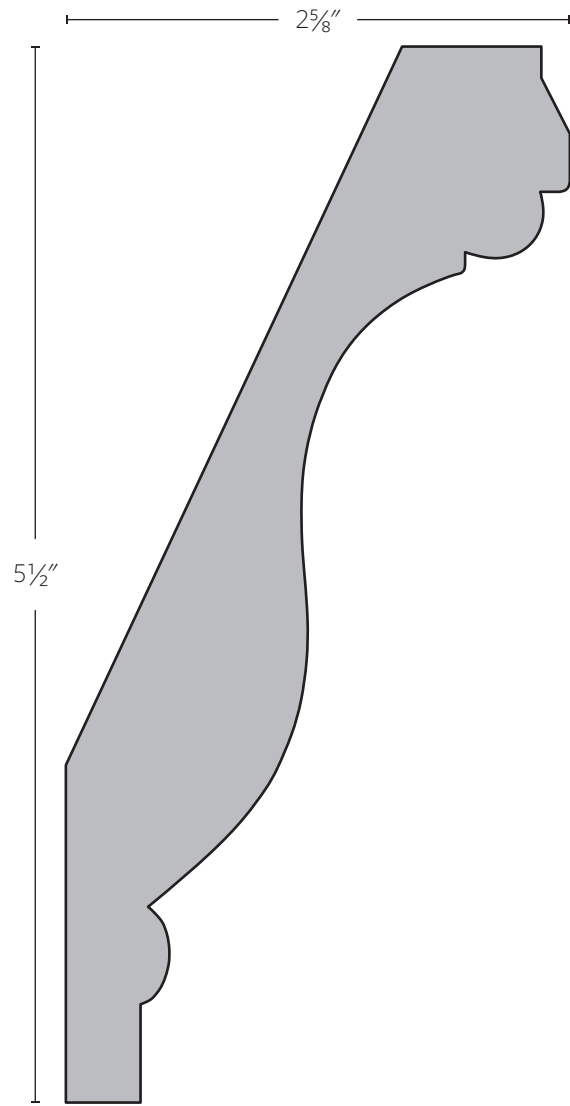
SWD 576 | $\frac{3}{4}'' \times 2\frac{1}{2}''$ | 45/45



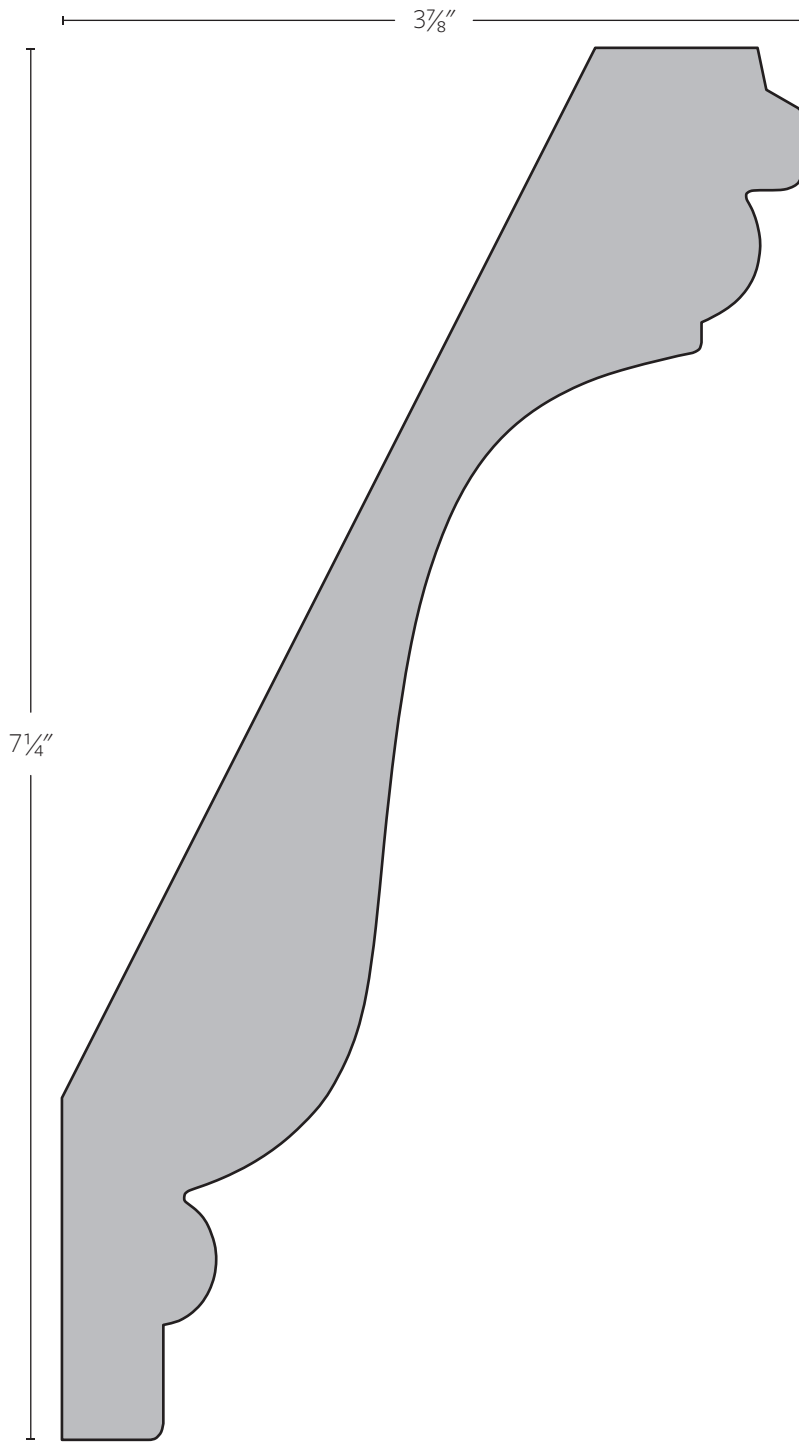
SWD 577 | $\frac{3}{4}'' \times 3\frac{1}{4}''$ | 38/52



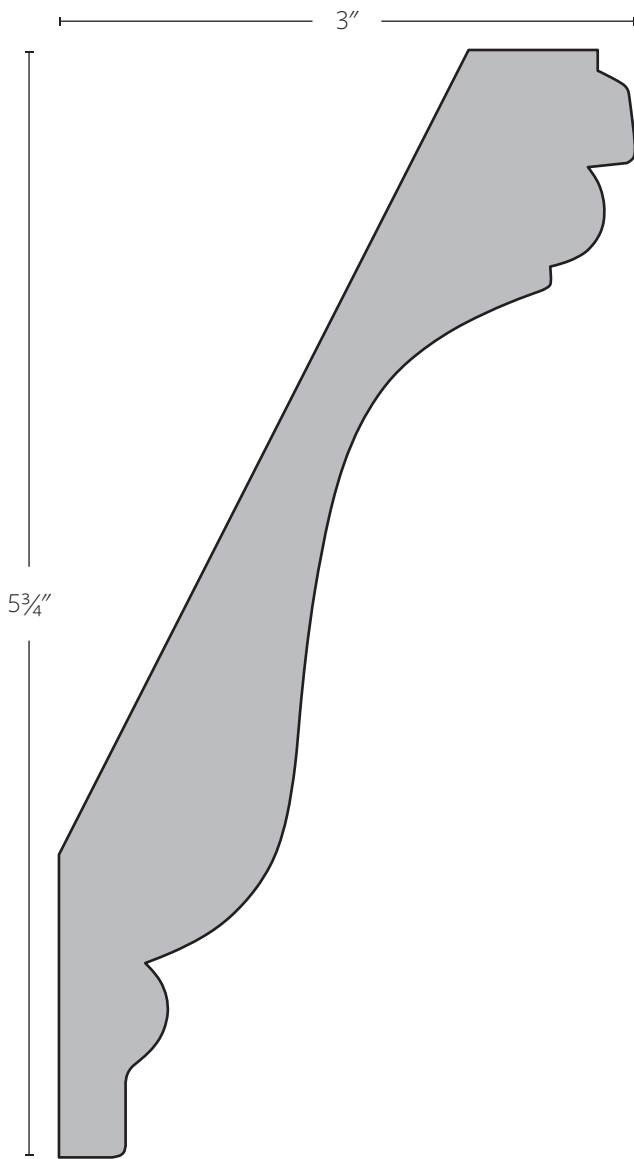
SWD 578 | 1½" x 7⅞" | 30/60



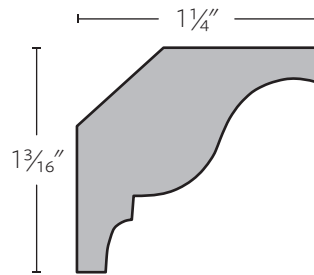
SWD 579 | 1 1/8" x 6" | 30/60



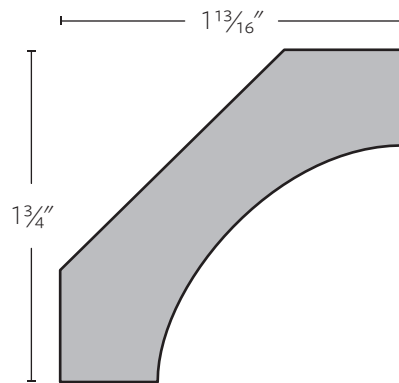
SWD 580 | 1 5/16" x 8 1/8" | 30/60



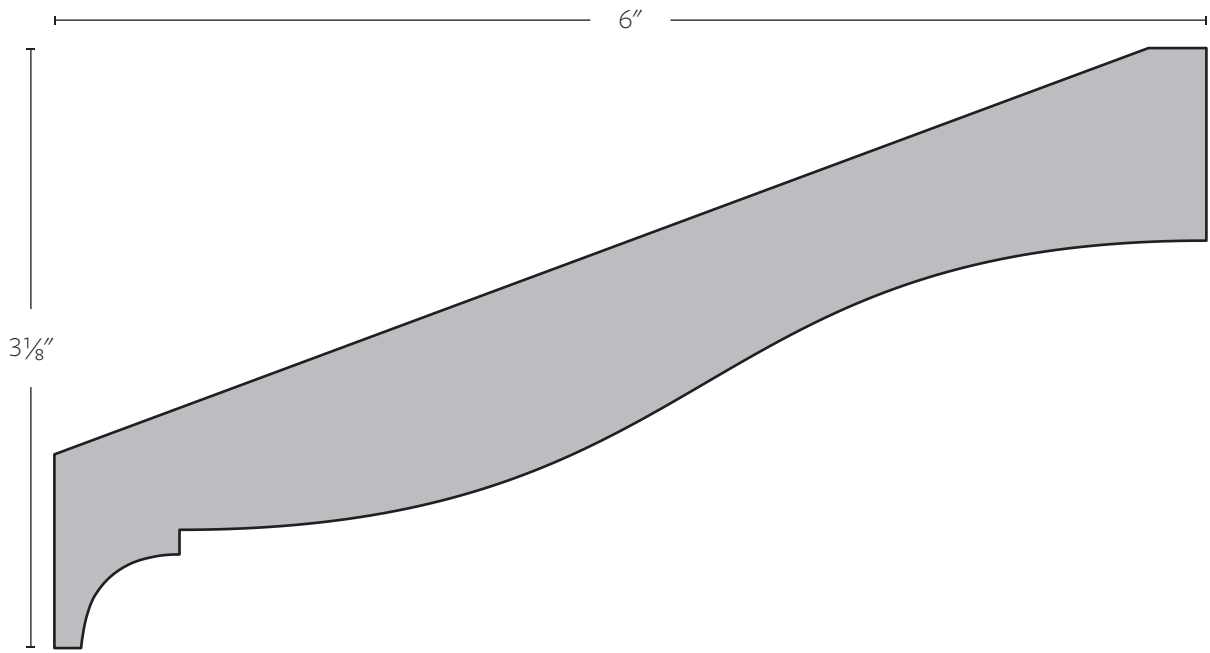
SWD 581 | $1\frac{1}{16}'' \times 6\frac{7}{16}''$ | 30/60



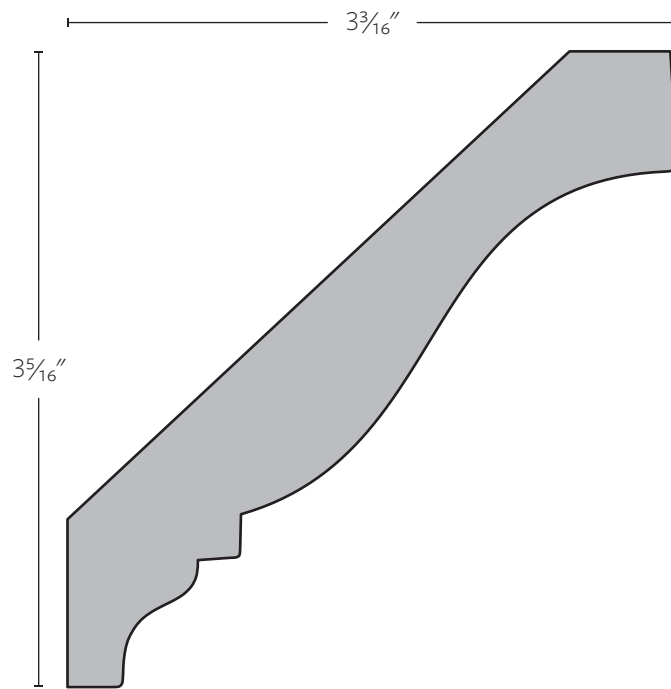
SWD 582 | $\frac{5}{8}'' \times 1\frac{3}{4}''$ | 45/45



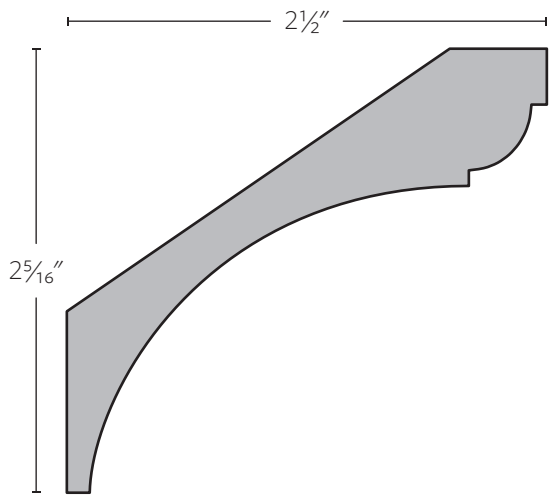
SWD 583 | $\frac{3}{4}'' \times 2\frac{1}{2}''$ | 45/45



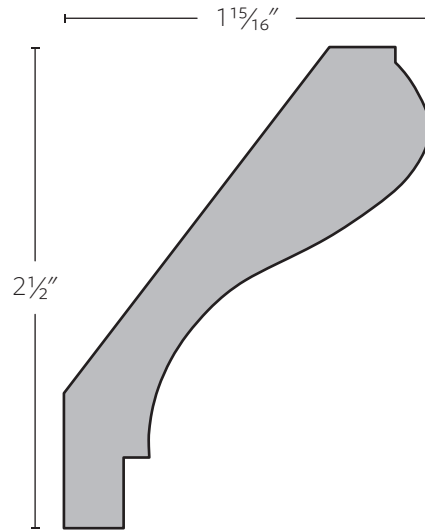
SWD 584 | $1\frac{1}{16}'' \times 6\frac{3}{4}''$ | 19/71



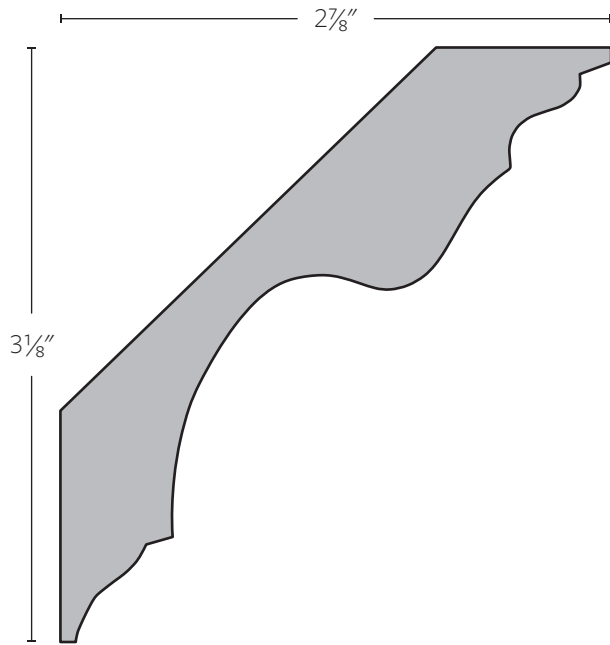
SWD 585 | $\frac{3}{4}'' \times 4\frac{9}{16}''$ | 45/45



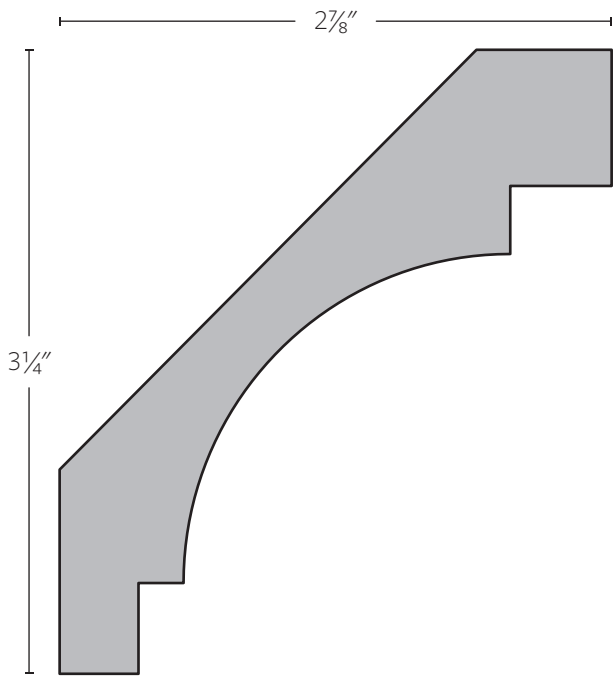
SWD 586 | $\frac{3}{4}'' \times 3\frac{7}{16}''$ | 38/52



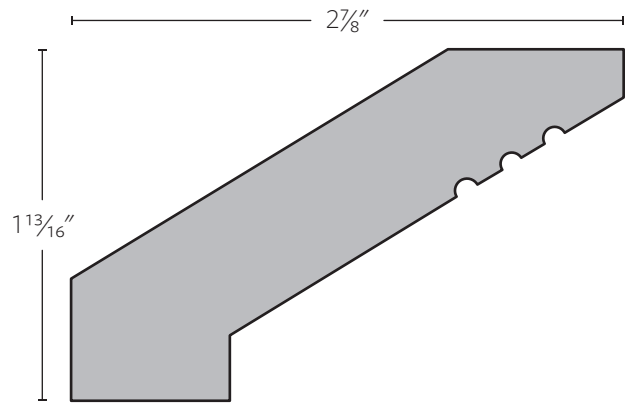
SWD 587 | $\frac{3}{4}'' \times 3\frac{1}{16}''$ | 38/52



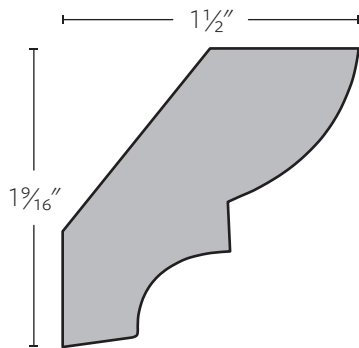
SWD 588 | $\frac{7}{8}'' \times 4\frac{3}{16}''$ | 45/45



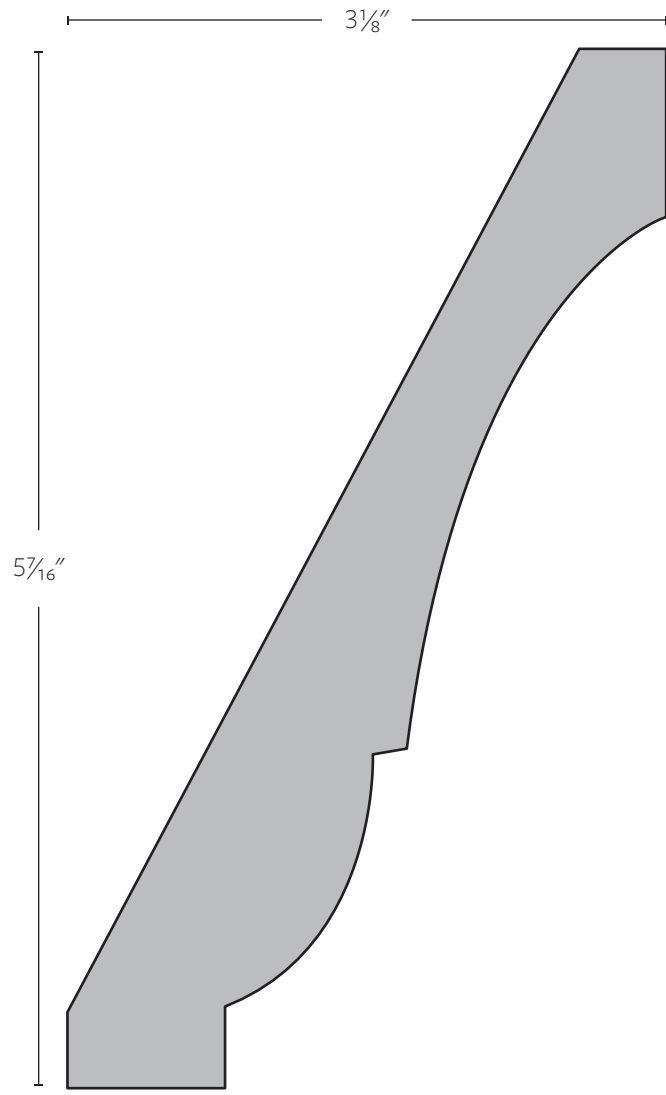
SWD 589 | 1" x 4³/₁₆" | 45/45



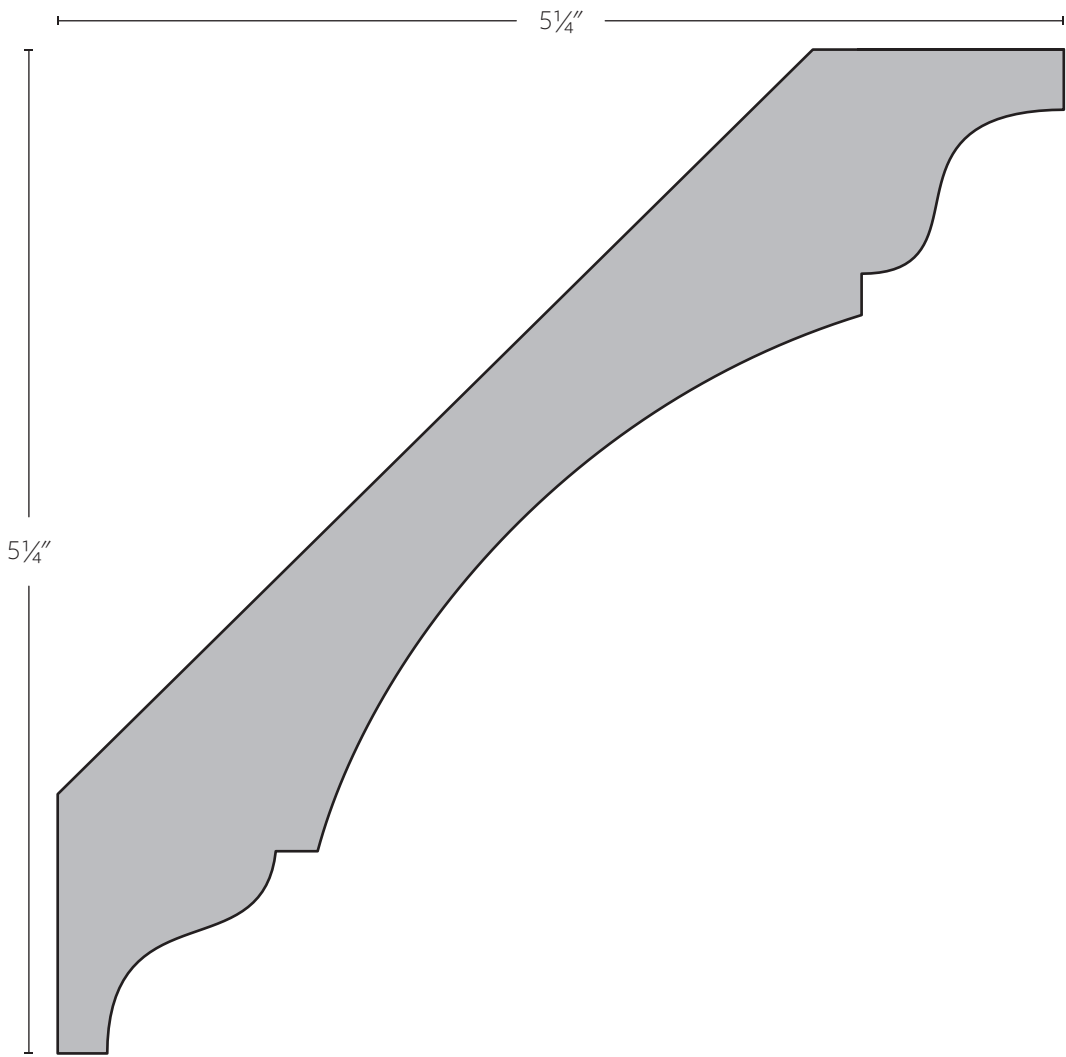
SWD 590 | 1¹/₁₆" x 3⁷/₁₆" | 30/60



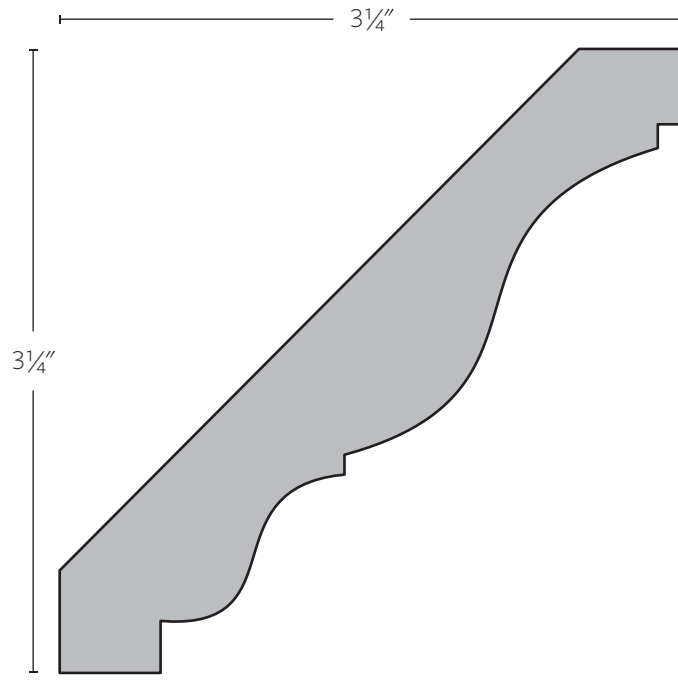
SWD 591 | 3/4" x 2³/₁₆" | 38/52



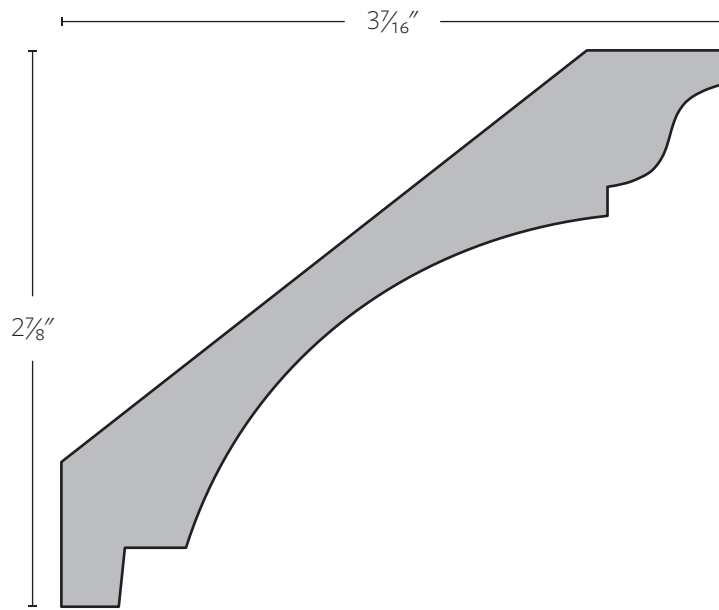
SWD 592 | 1" x 6 $\frac{1}{4}$ " | 30/60



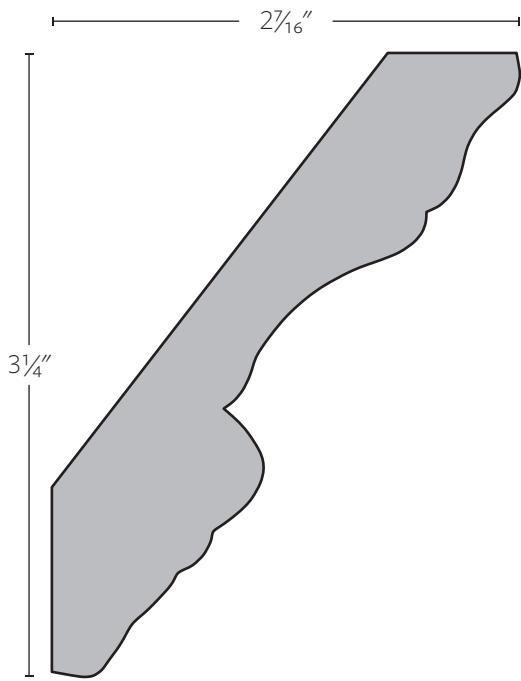
SWD 593 | $1\frac{1}{8}$ " x $7\frac{3}{8}$ " | 45/45



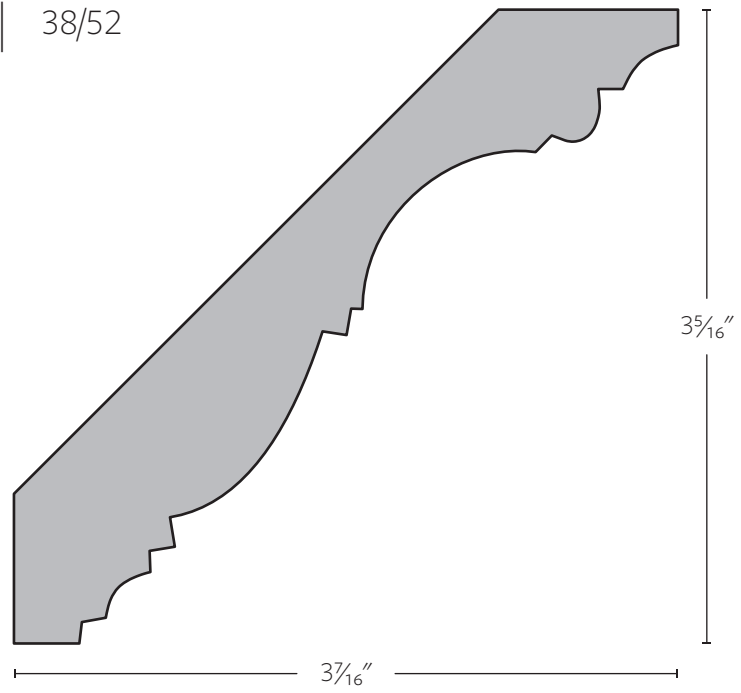
SWD 594 | $\frac{3}{4}'' \times 4\frac{5}{8}''$ | 45/45



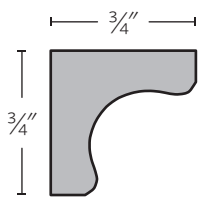
SWD 595 | $\frac{3}{4}'' \times 4\frac{1}{2}''$ | 38/52



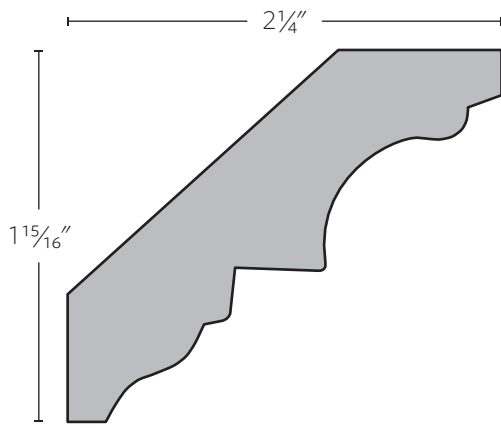
SWD 596 | 7/8" x 4" | 38/52



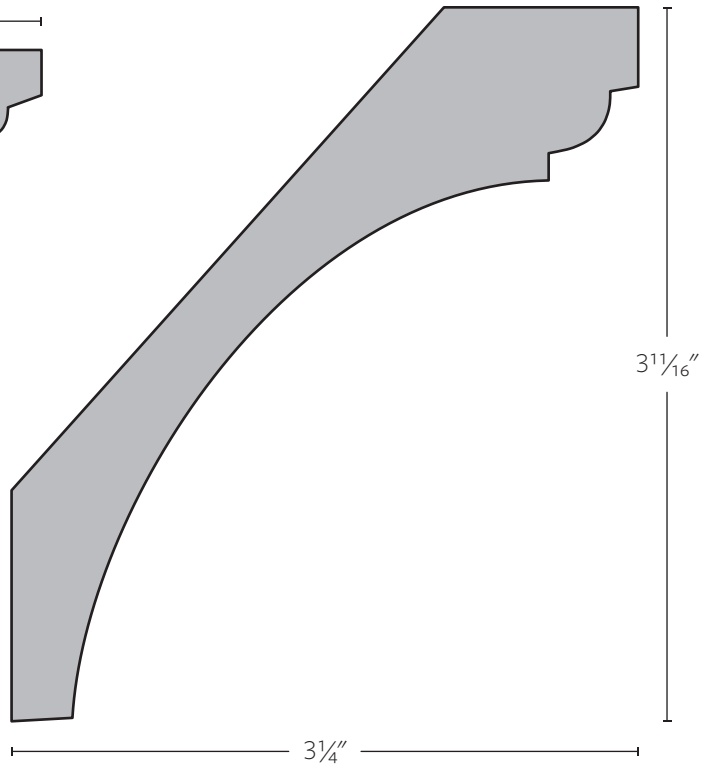
SWD 597 | 1 3/16" x 4 3/4" | 45/45



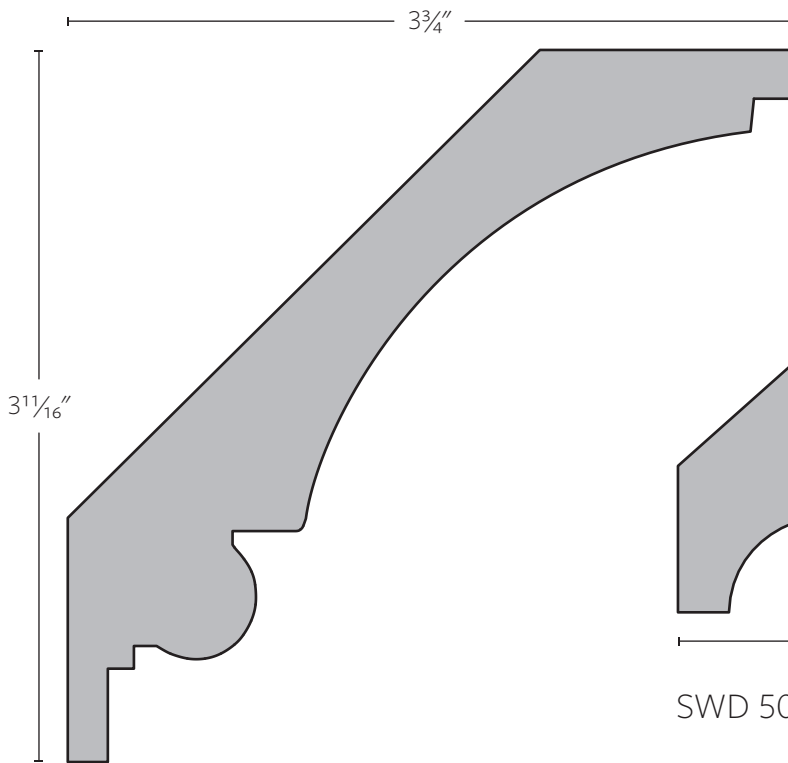
SWD 598 | 3/4" x 3/4"



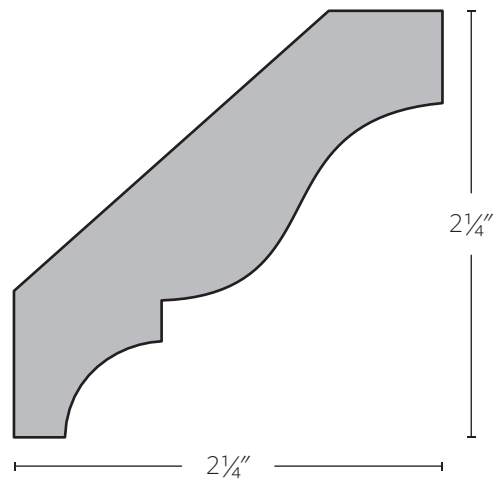
SWD 599 | 3/4" x 2 15/16"
45/45



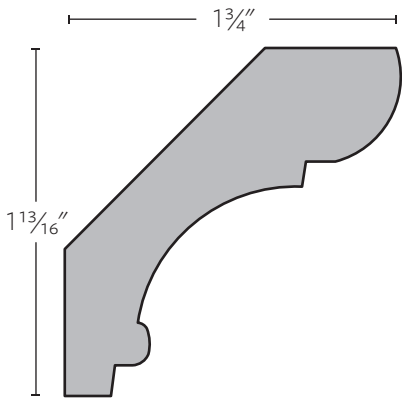
SWD 5000 | 1 1/16" x 5" | 38/52



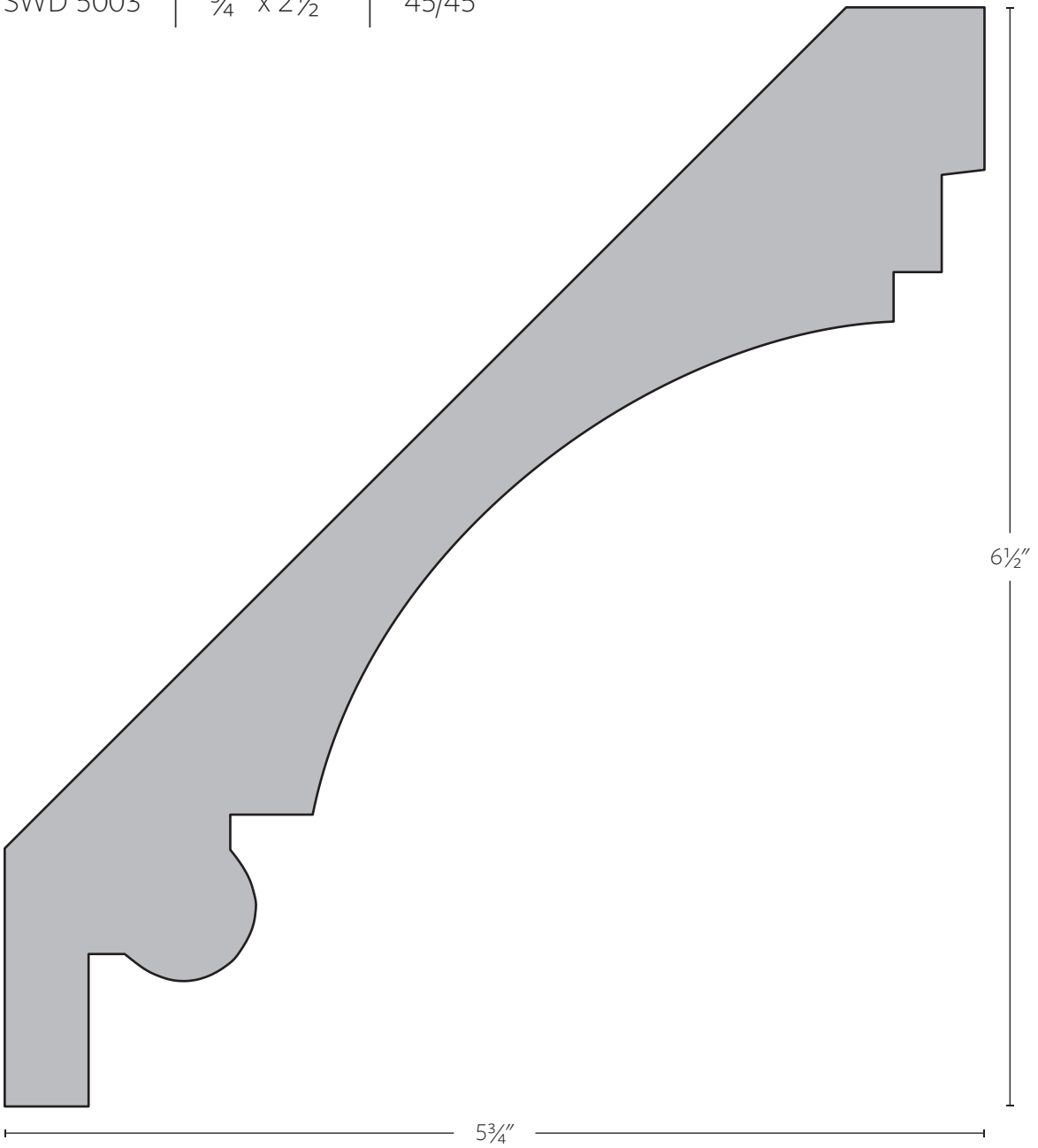
SWD 5001 | 1 1/16" x 5 1/4" | 45/45



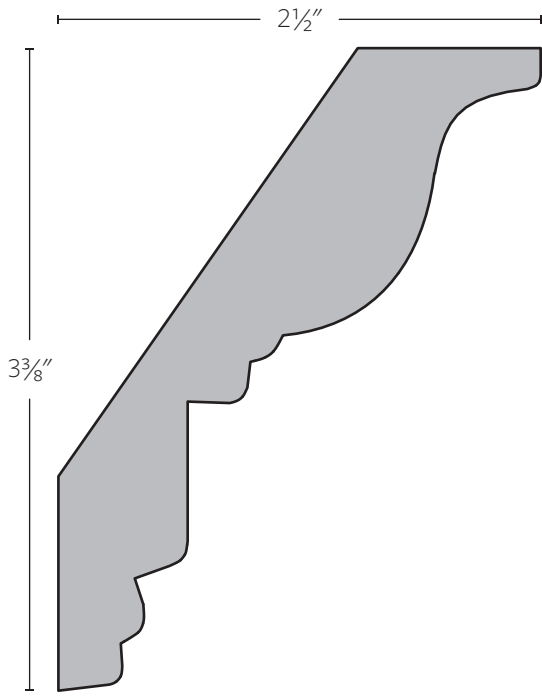
SWD 5002 | 3/4" x 3 1/8" | 45/45



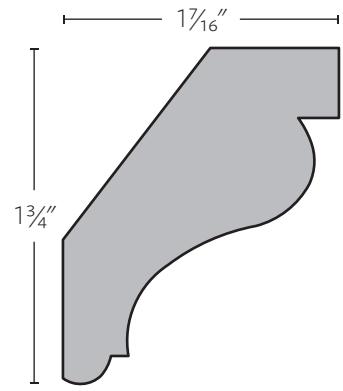
SWD 5003 | $\frac{3}{4}'' \times 2\frac{1}{2}''$ | 45/45



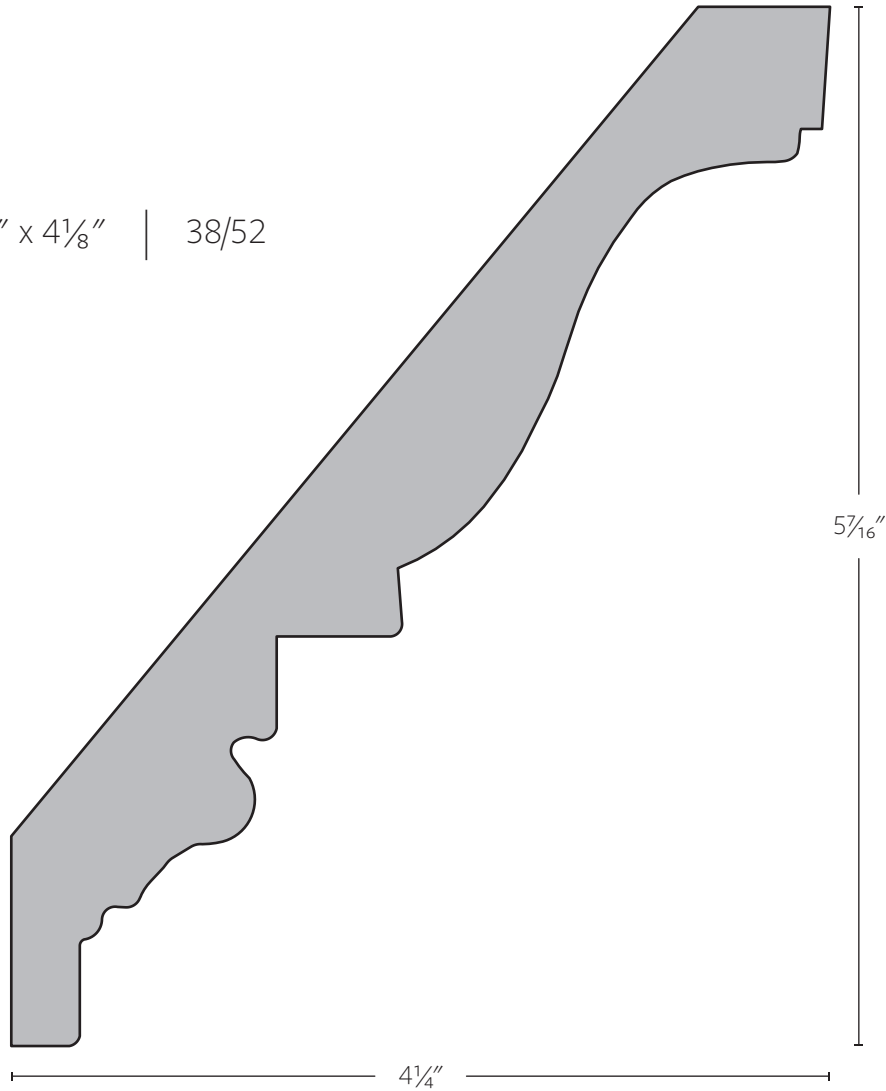
SWD 5004 | $1\frac{1}{2}'' \times 8\frac{5}{8}''$ | 45/45



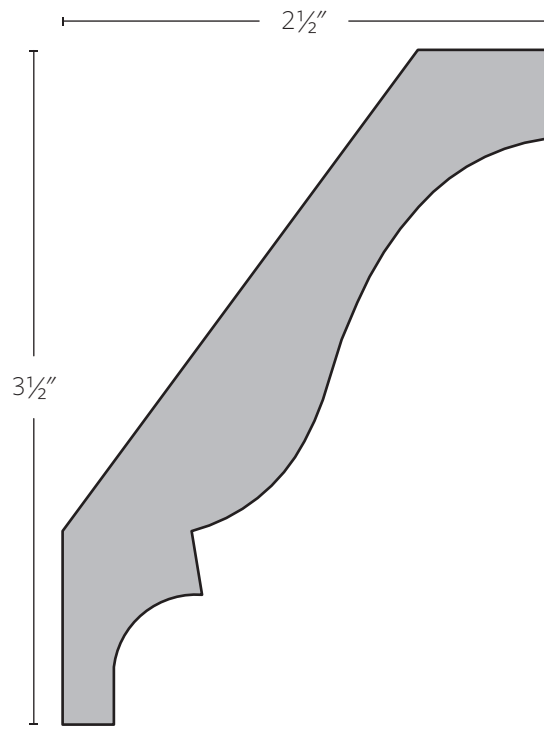
SWD 5005 | 7/8" x 4 1/8" | 38/52



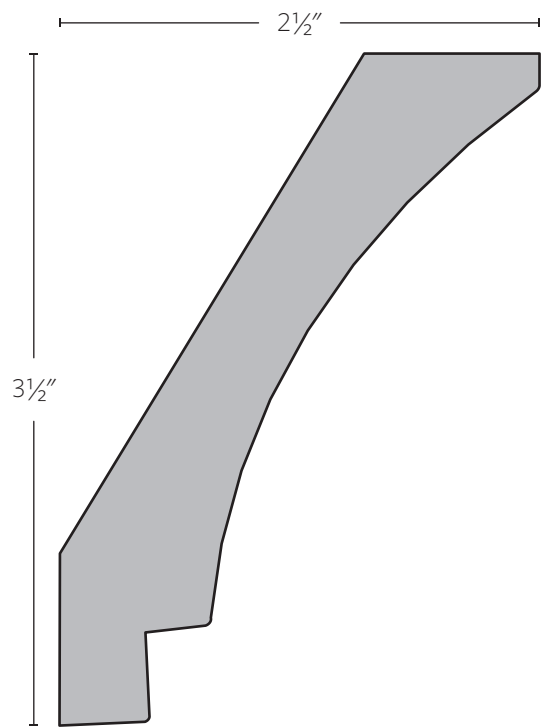
SWD 5006 | 1 3/16" x 2 3/16"
38/52



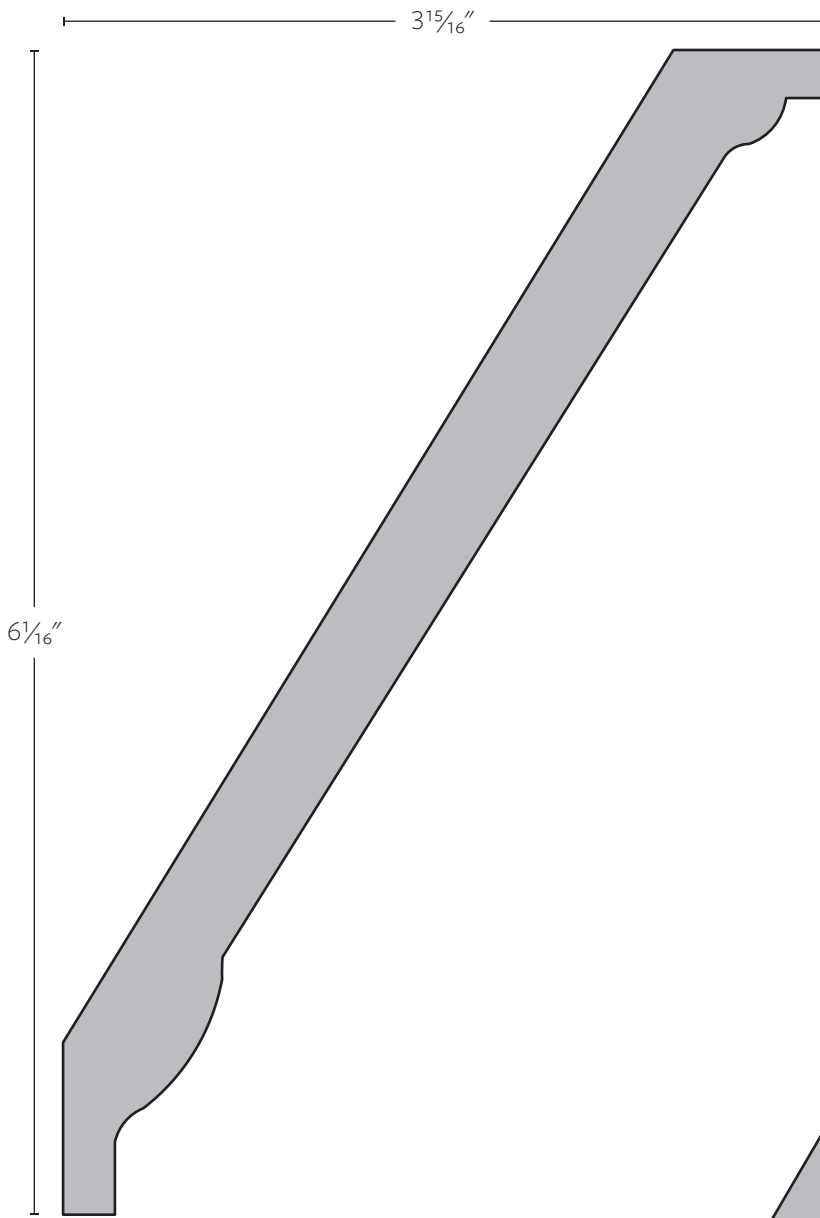
SWD 5007 | 1 5/16" x 6 13/16" | 45/45



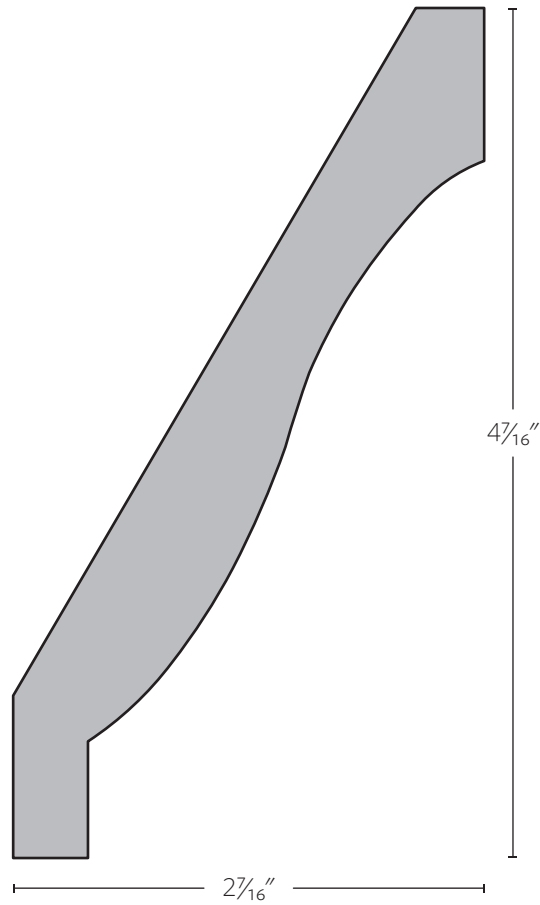
SWD 5008 | 3/4" x 4 1/4" | 38/52



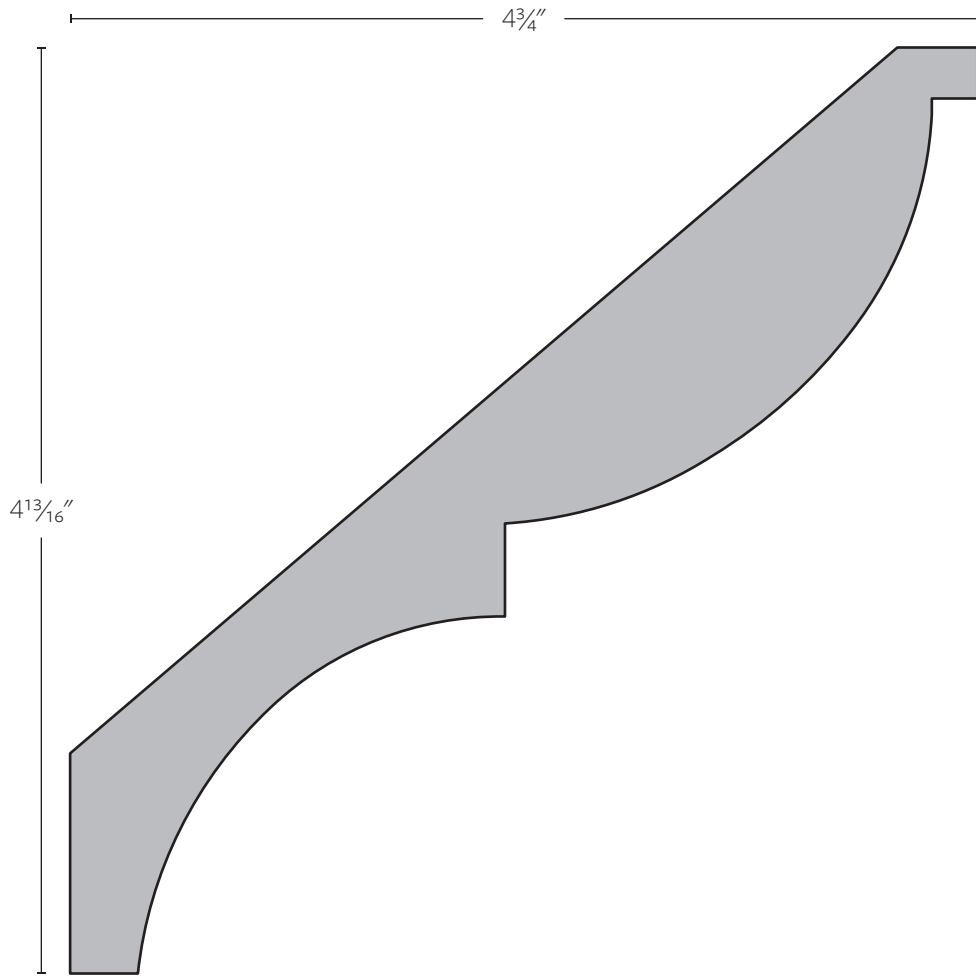
SWD 5009 | 3/4" x 4 1/4" | 30/60



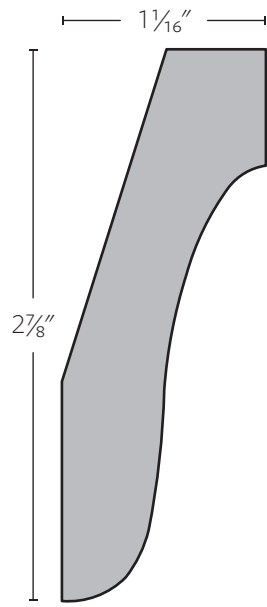
SWD 5010 | $1\frac{3}{16}$ " x $7\frac{1}{4}$ " | 30/60



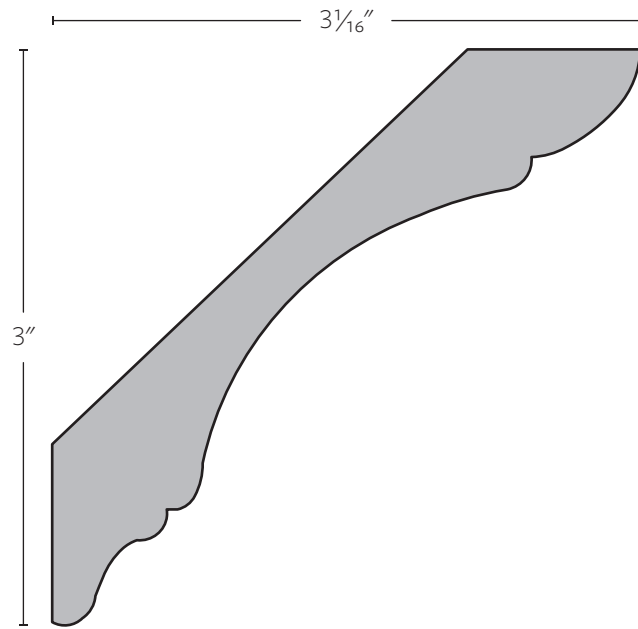
SWD 5011 | $1\frac{1}{16}$ " x $5\frac{1}{16}$ " | 30/60



SWD 5012 | $1\frac{1}{16}$ " x $6\frac{3}{4}$ " | 38/52



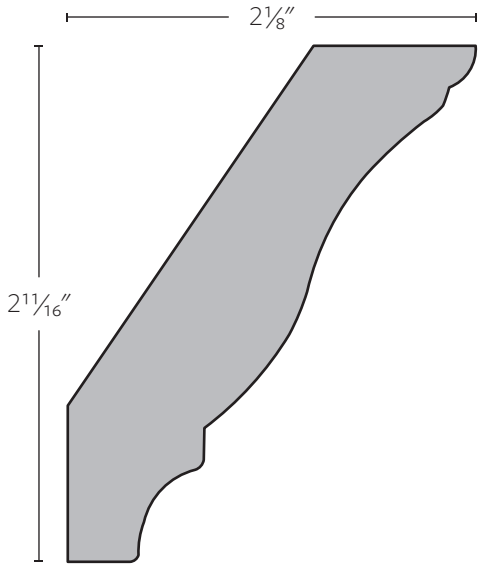
SWD 5013 | $1\frac{1}{16}'' \times 3\frac{1}{16}''$ | 20/70



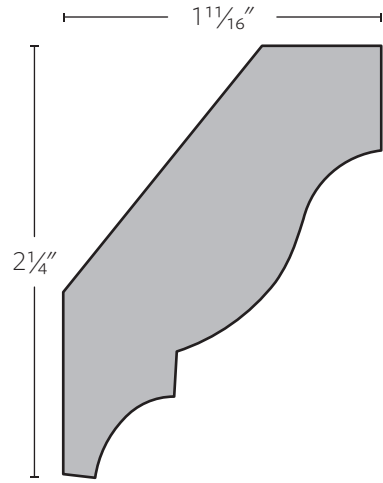
SWD 5014 | $\frac{3}{4}'' \times 4\frac{1}{4}''$ | 45/45



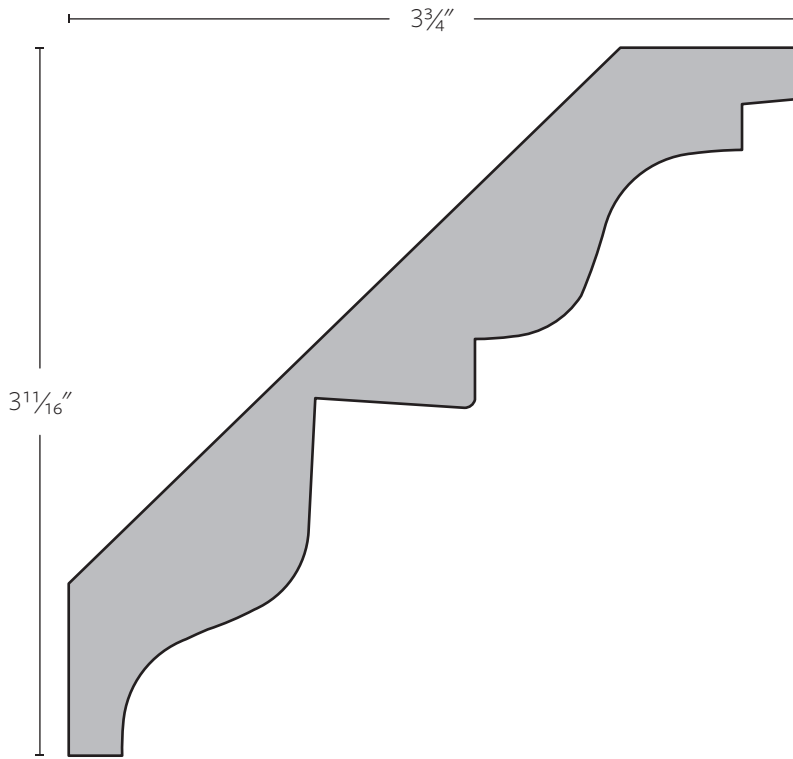
SWD 5015 | 1 5/16" x 7 15/16" | 45/45



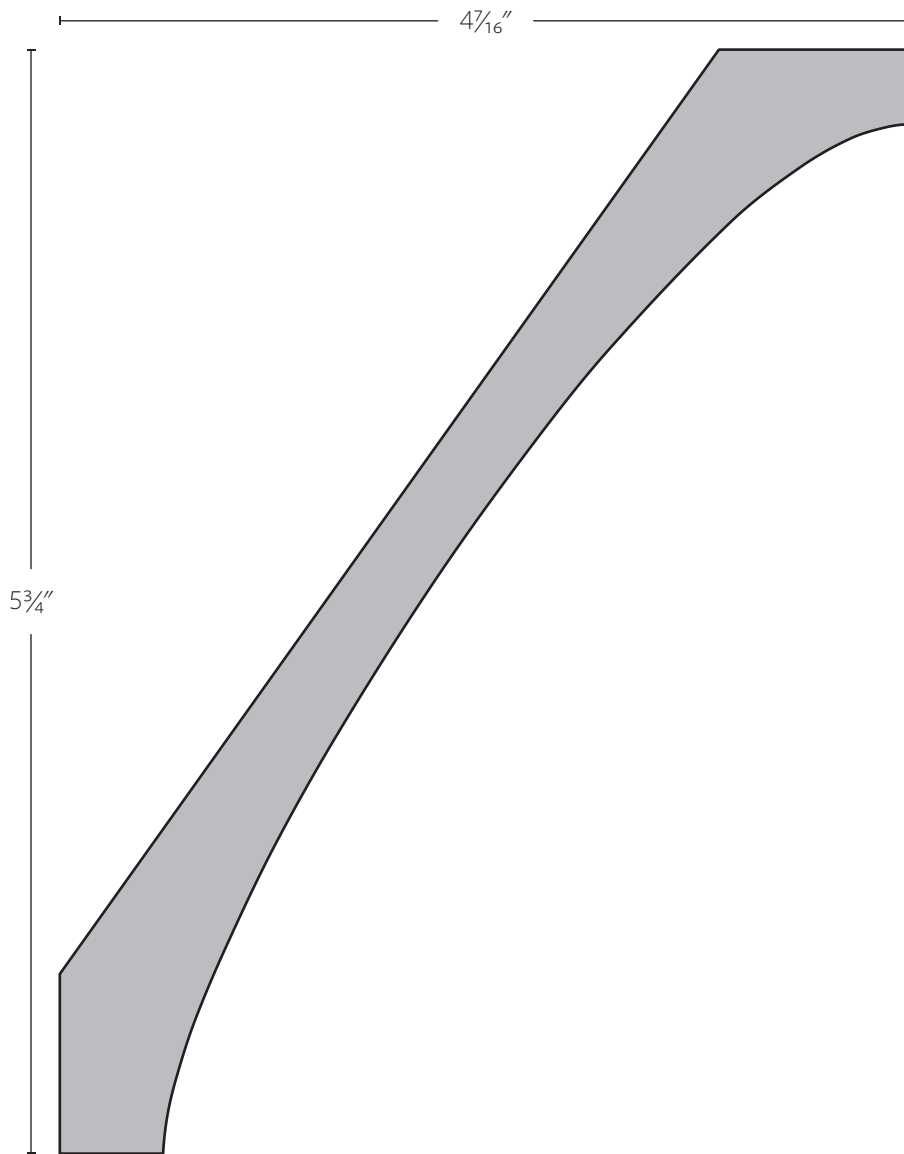
SWD 5016 | $\frac{3}{4}'' \times 3\frac{7}{16}''$ | 38/52



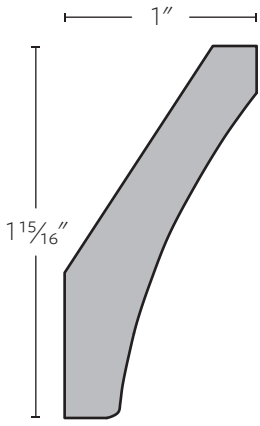
SWD 5018 | $1\frac{3}{16}'' \times 2\frac{3}{4}''$ | 38/52



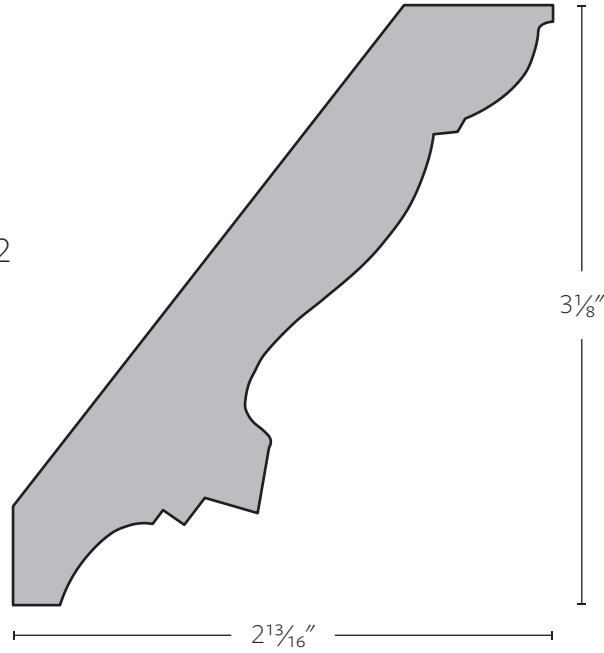
SWD 5017 | $1\frac{3}{16}'' \times 5\frac{1}{4}''$ | 45/45



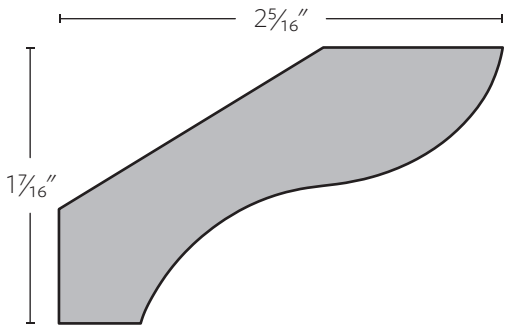
SWD 5019 | 1" x 7 1/4" | 38/52
This profile requires an added setup charge.



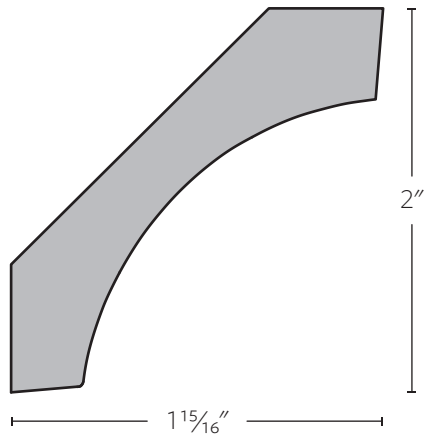
SWD 5020 | $\frac{9}{16}$ " x $2\frac{3}{16}$ " | 38/52



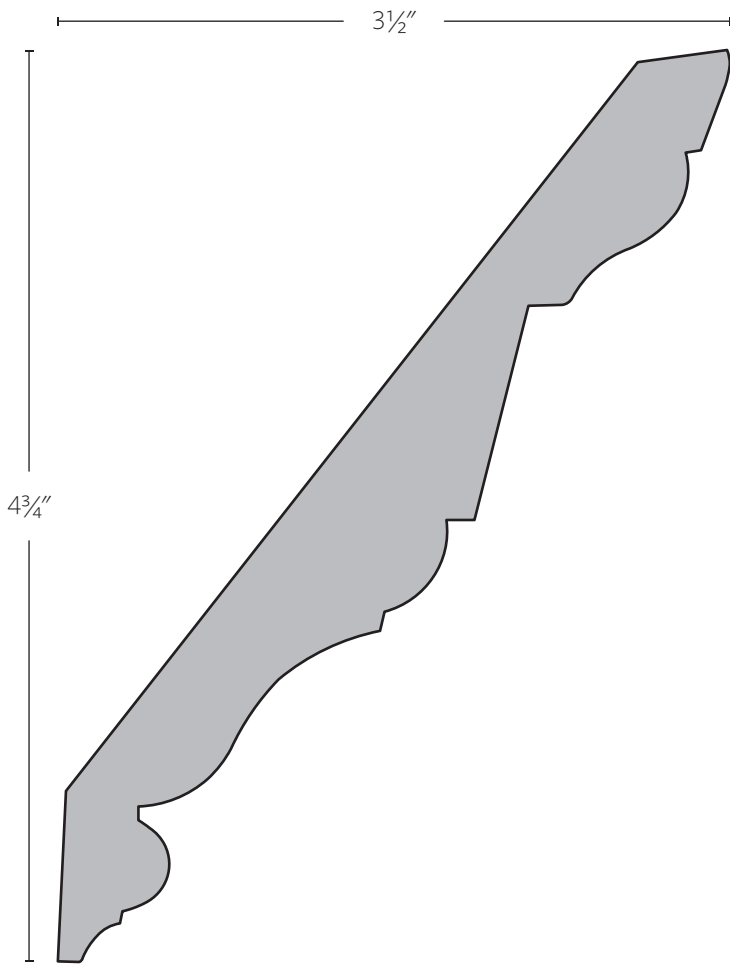
SWD 5021 | 1" x $4\frac{1}{8}$ " | 38/52



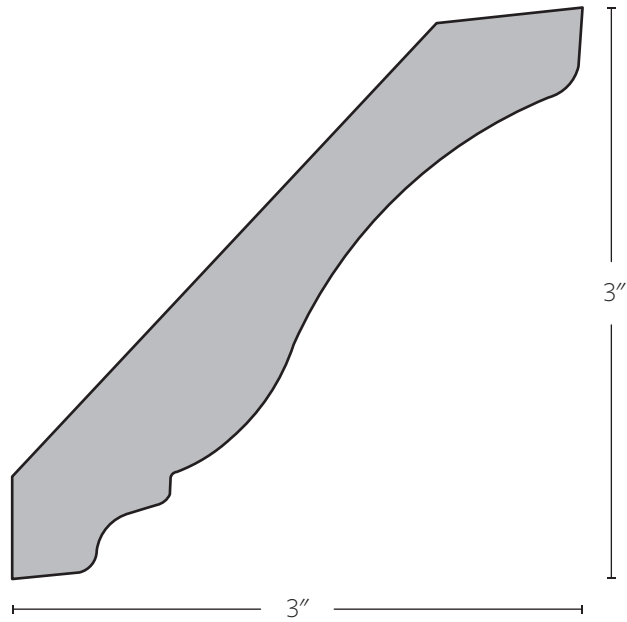
SWD 5022 | $\frac{3}{4}$ " x $2\frac{1}{16}$ " | 30/60



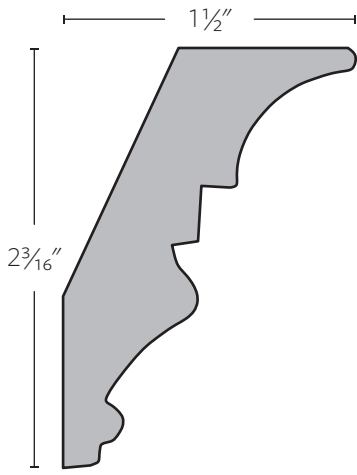
SWD 5023 | $\frac{3}{4}$ " x $2\frac{3}{4}$ " | 45/45



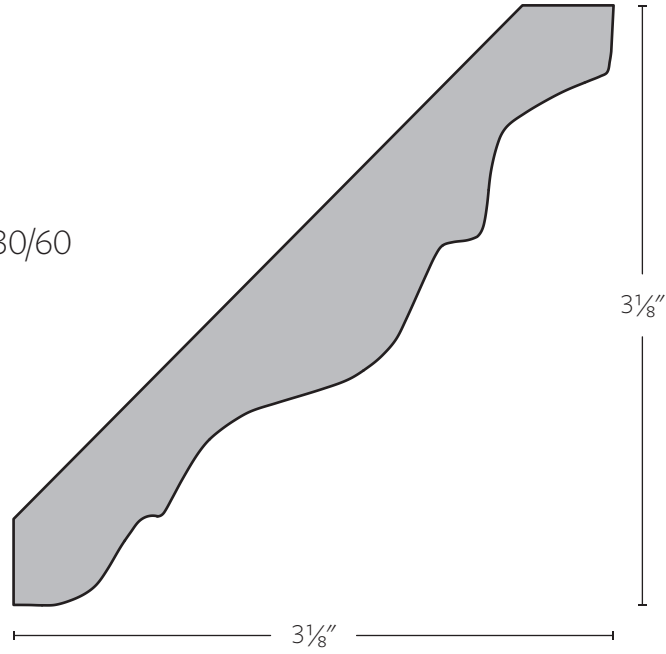
SWD 5024 | $1\frac{3}{16}'' \times 5\frac{13}{16}''$ | 38/52



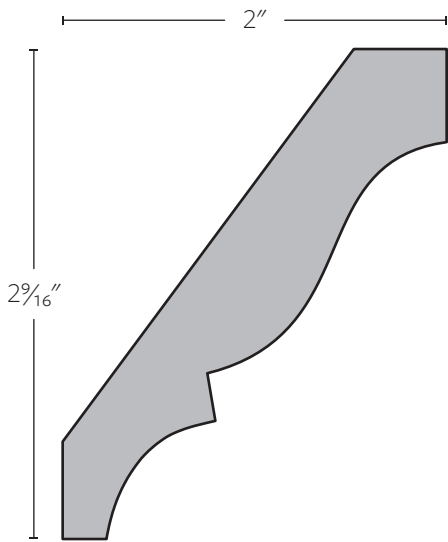
SWD 5025 | $\frac{3}{4}'' \times 4\frac{1}{8}''$ | 45/45



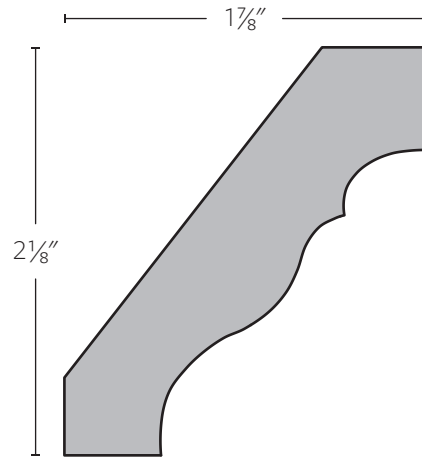
SWD 5026 | $\frac{7}{8}'' \times 2\frac{1}{16}''$ | 30/60



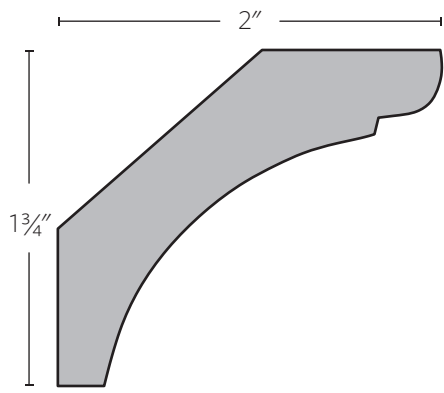
SWD 5027 | $\frac{3}{4}'' \times 4\frac{3}{8}''$ | 45/45



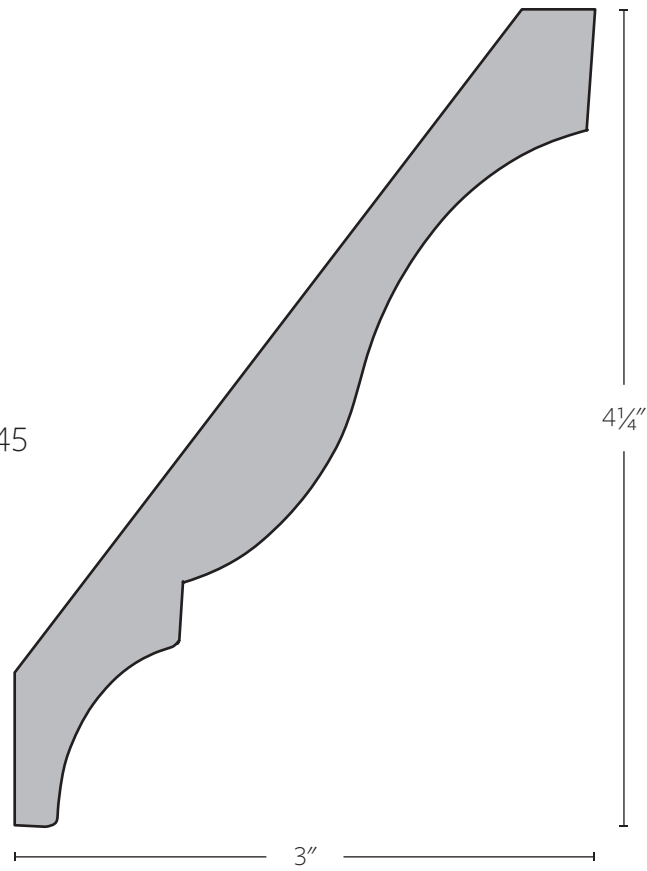
SWD 5028 | $\frac{3}{4}'' \times 3\frac{1}{4}''$ | 38/52



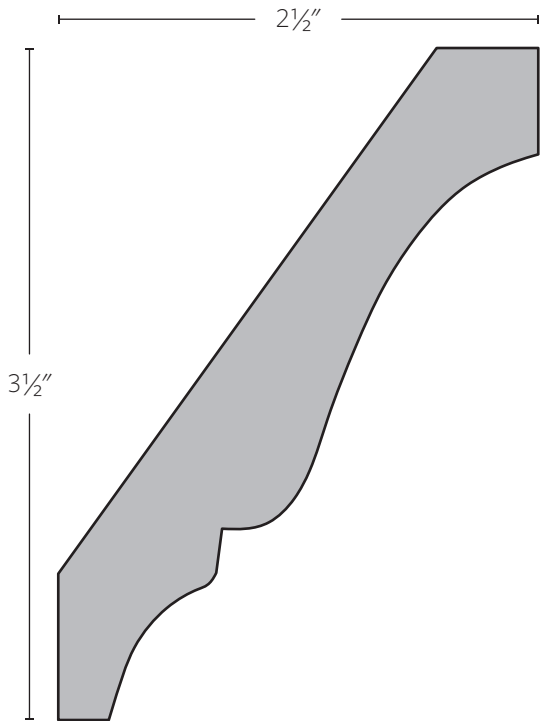
SWD 5029 | $\frac{3}{4}'' \times 2\frac{13}{16}''$ | 45/45



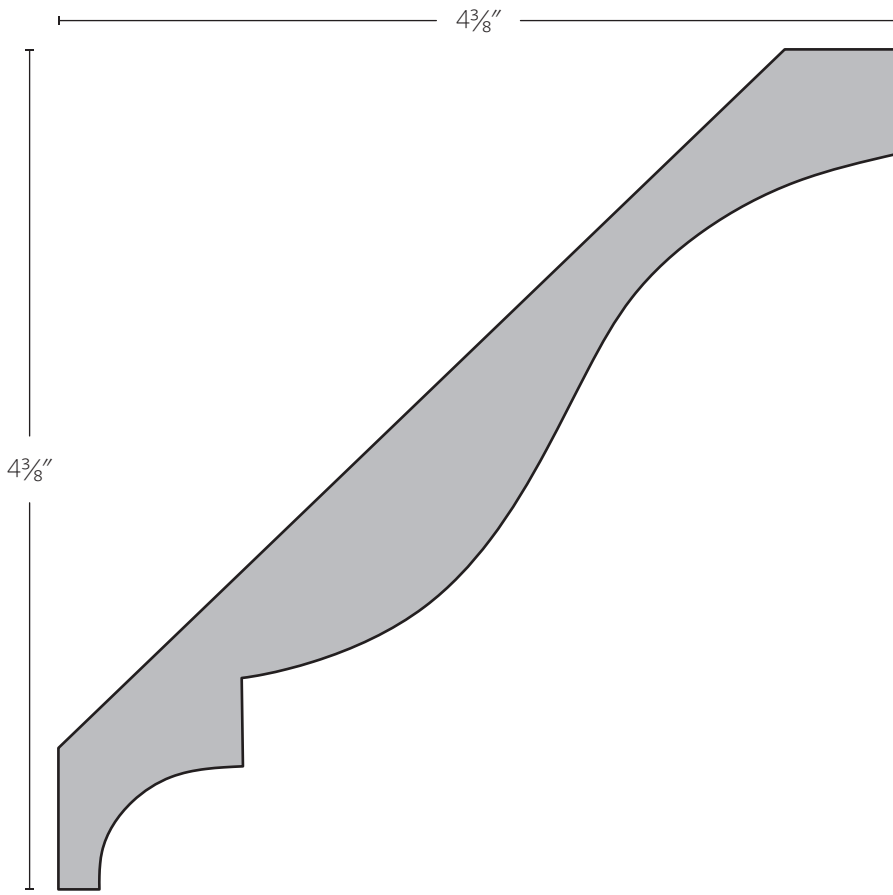
SWD 5030 | $\frac{3}{4}'' \times 2\frac{1}{2}''$ | 45/45



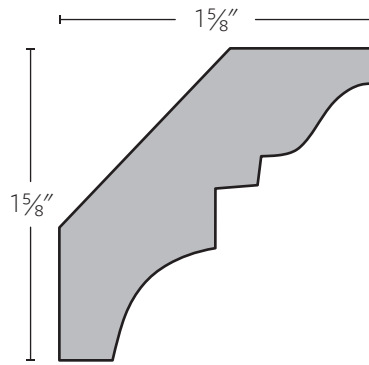
SWD 5031 | $1\frac{1}{16}'' \times 5\frac{1}{4}''$ | 38/52



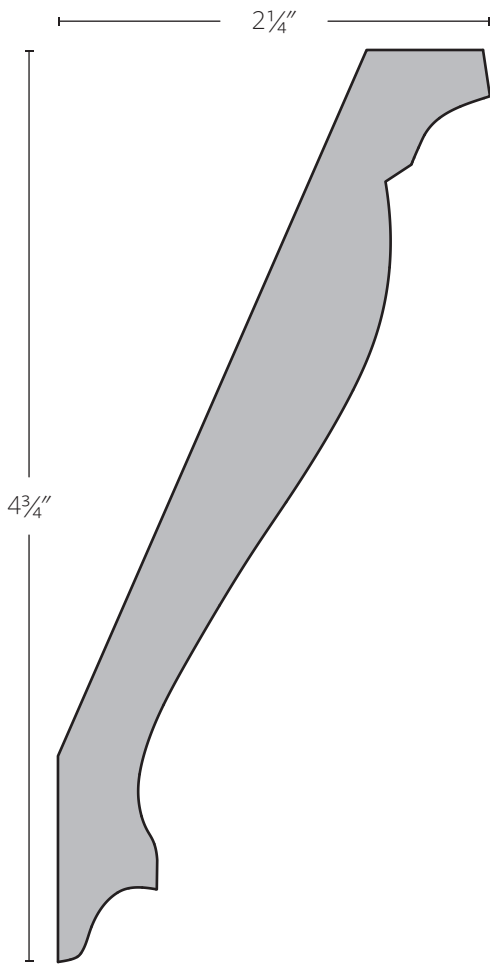
SWD 5032 | $1\frac{3}{16}'' \times 4\frac{1}{4}''$ | 38/52



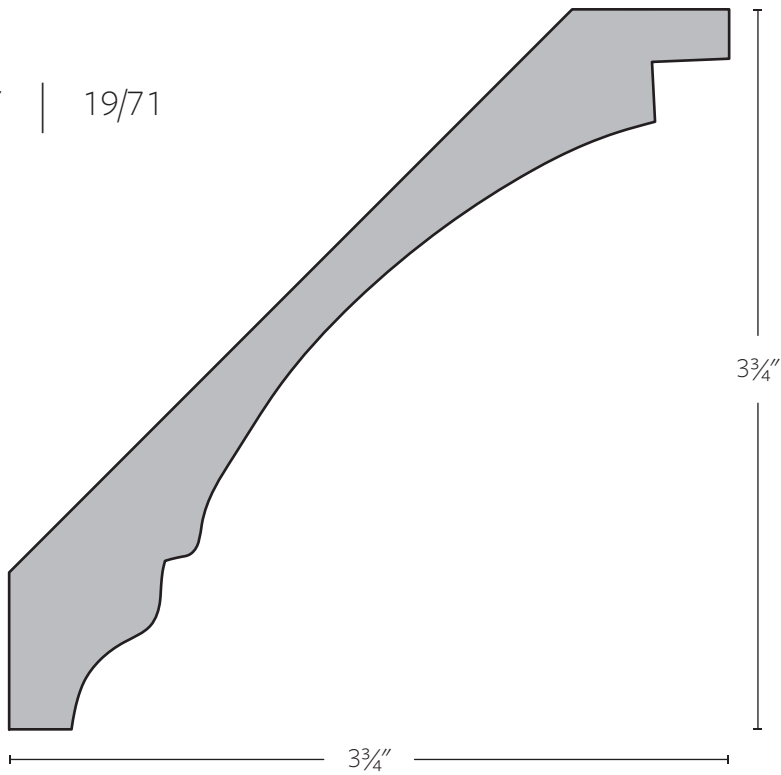
SWD 5033 | $1\frac{3}{16}'' \times 6\frac{3}{16}''$ | 45/45



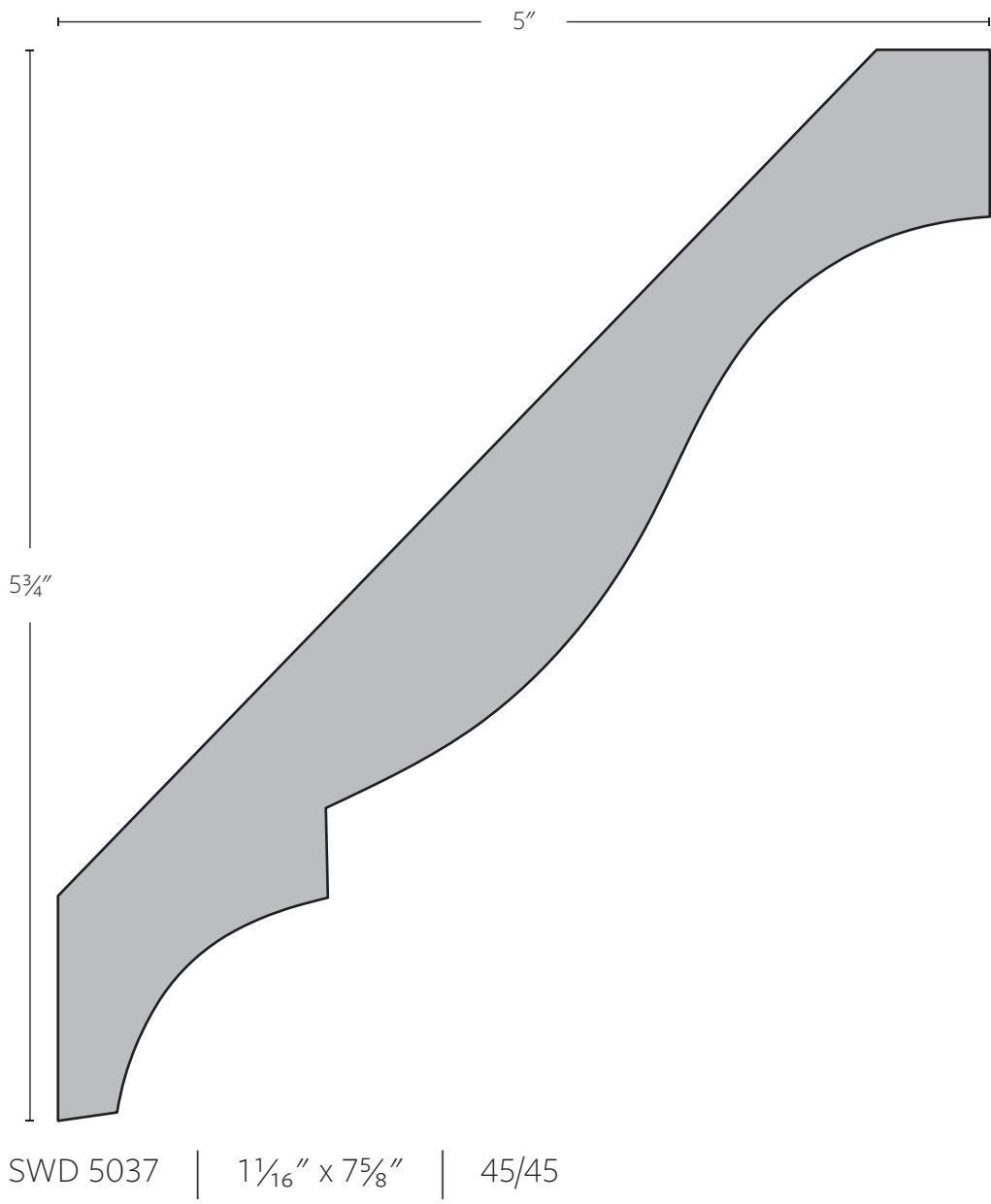
SWD 5034 | $\frac{3}{4}'' \times 2\frac{9}{16}''$ | 45/45

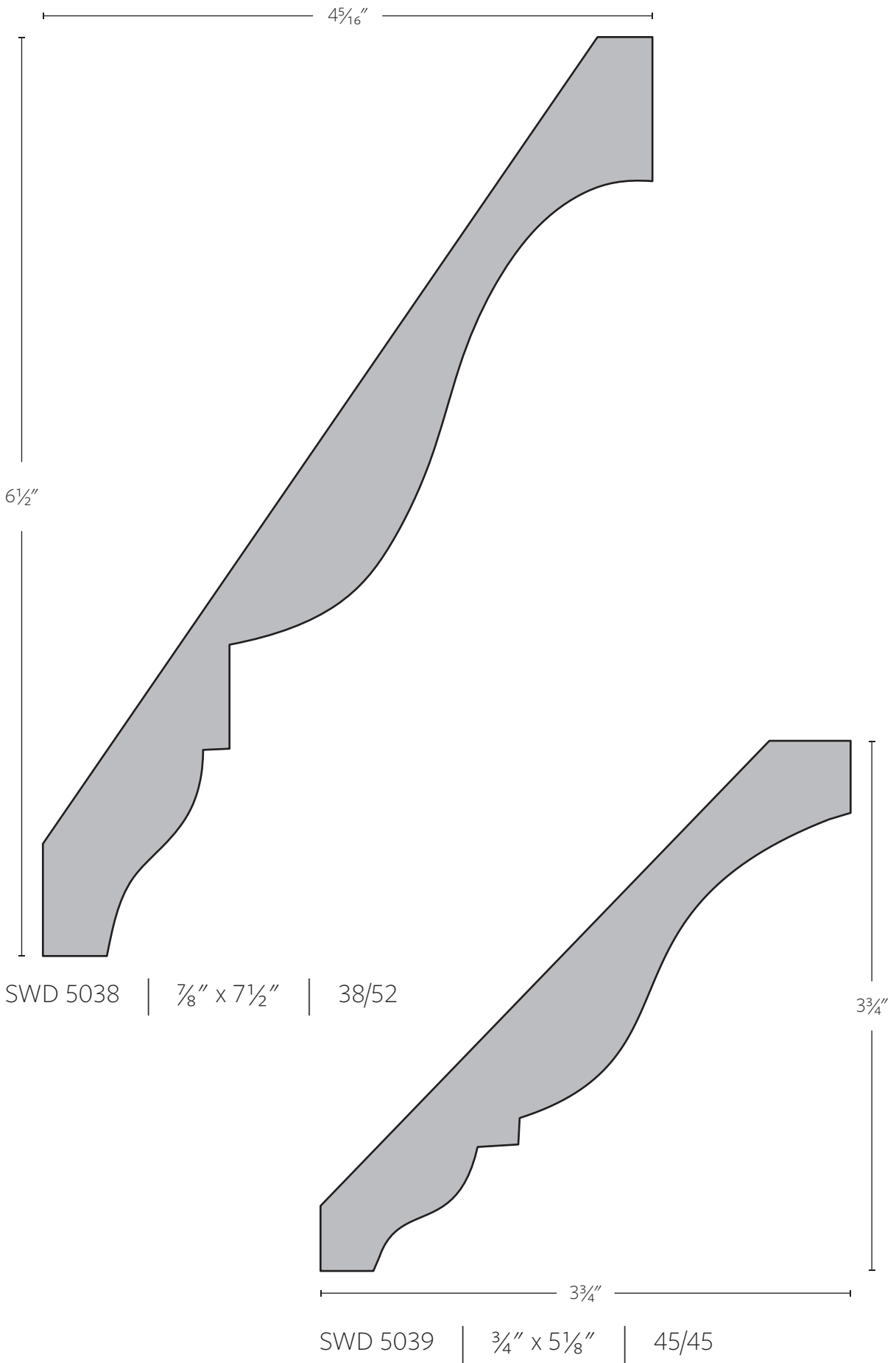


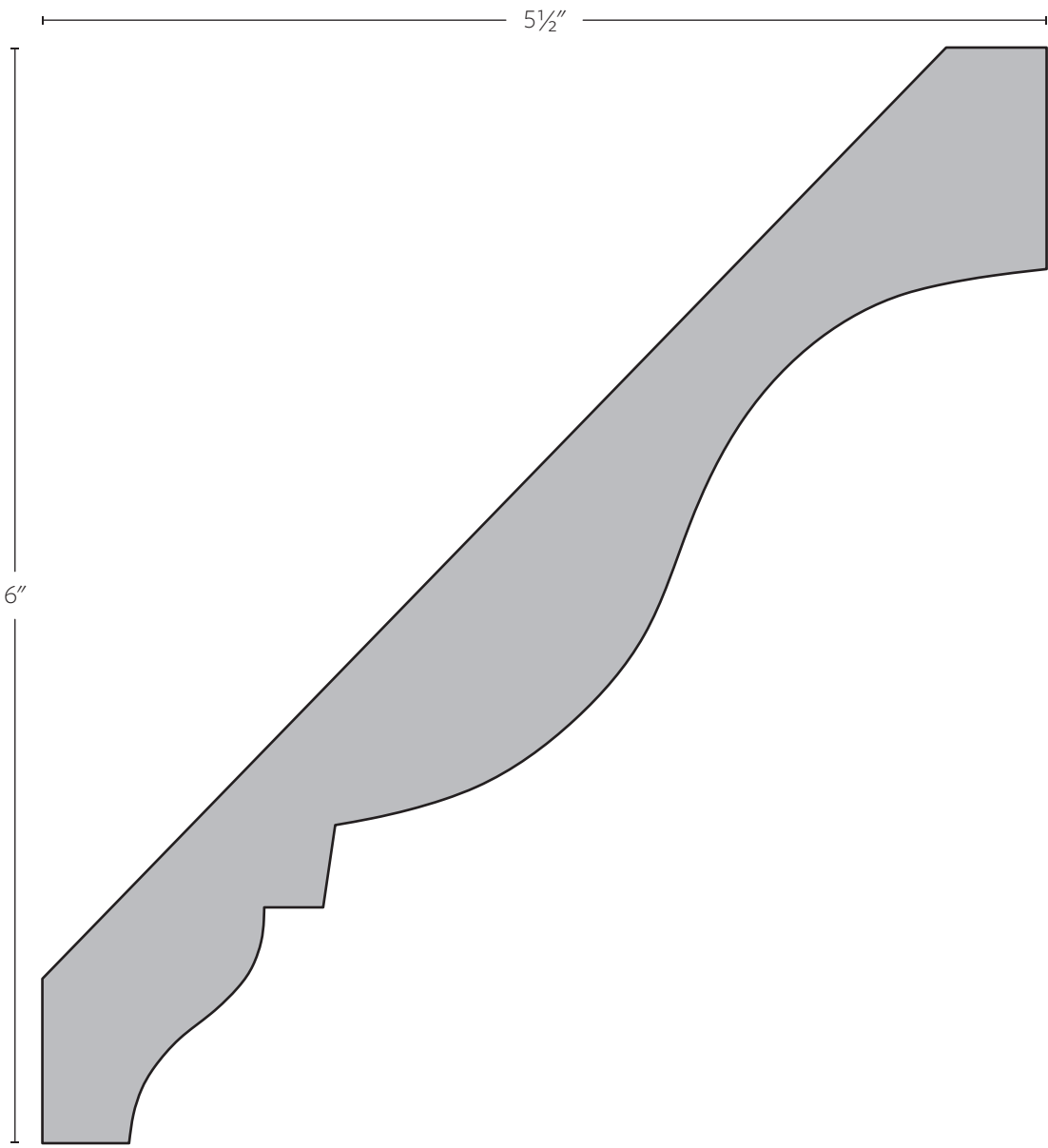
SWD 5035 | 3/4" x 5 1/8" | 19/71



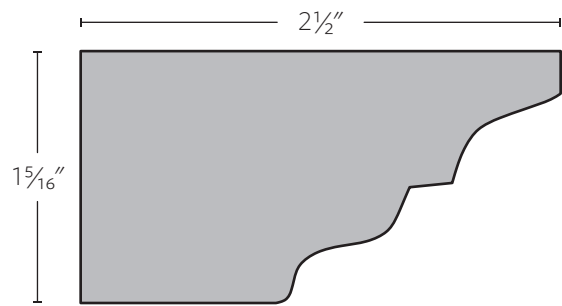
SWD 5036 | 1 3/16" x 5 3/8" | 45/45



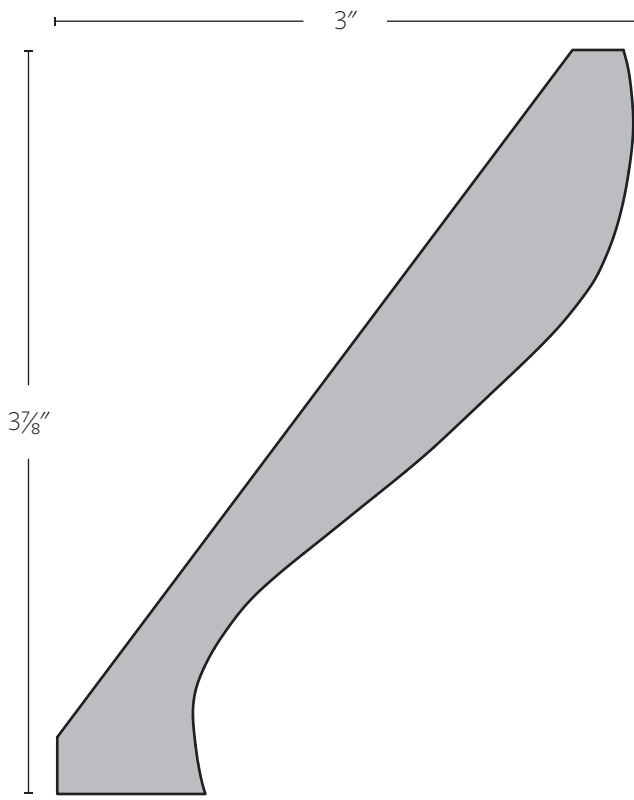




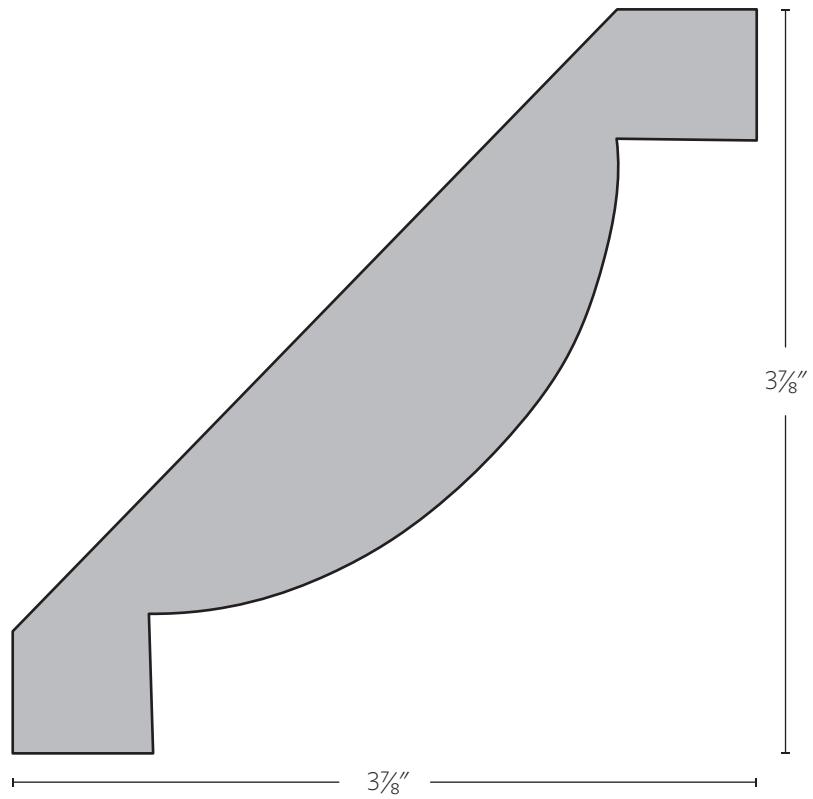
SWD 5040 | $1\frac{3}{16}'' \times 8\frac{1}{8}''$ | 45/45



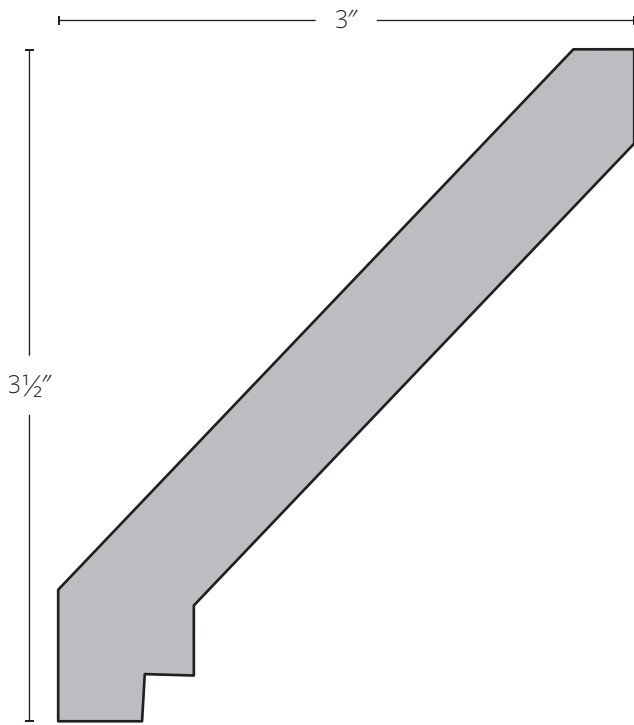
SWD 5041 | $1\frac{5}{16}'' \times 2\frac{1}{2}''$



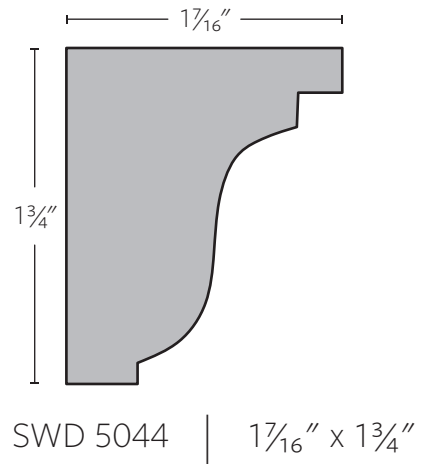
SWD 5042 | $1\frac{3}{16}'' \times 4\frac{13}{16}''$ | 30/60



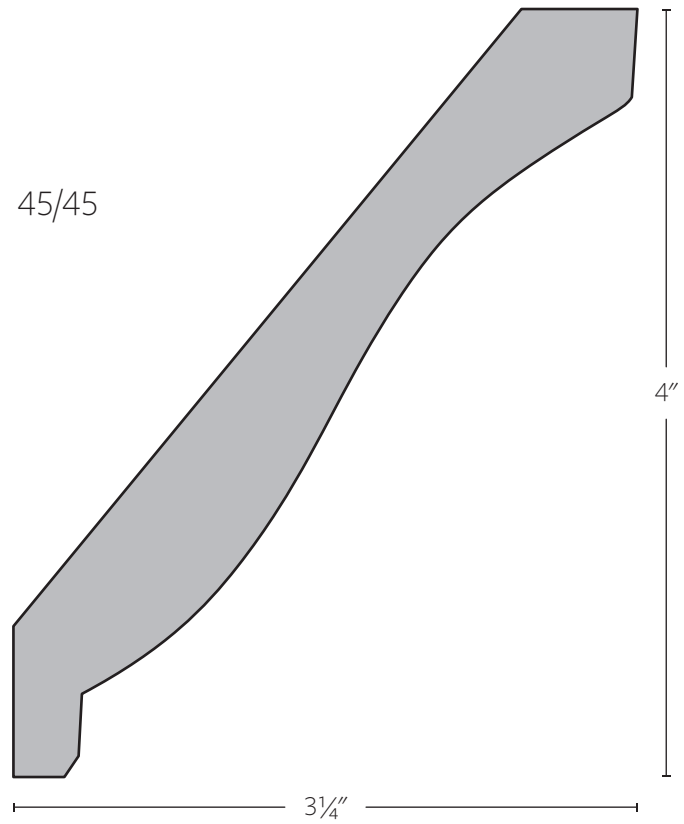
SWD 5043 | $1\frac{3}{16}'' \times 5\frac{5}{8}''$ | 45/45



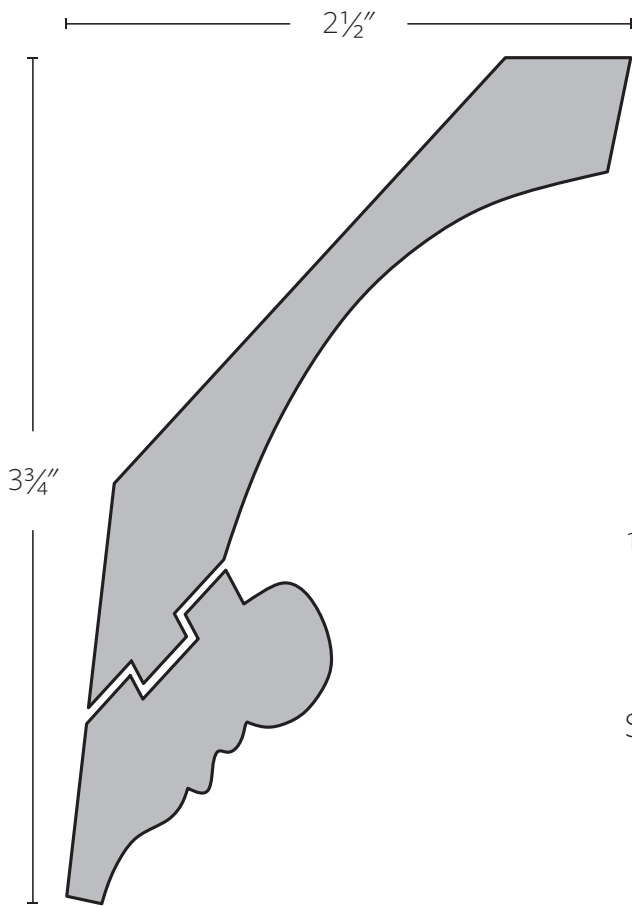
SWD 5045 | $1\frac{3}{16}'' \times 4\frac{9}{16}''$ | 45/45



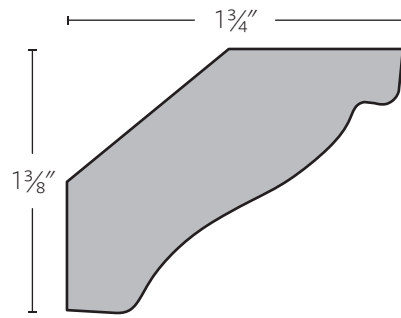
SWD 5044 | $1\frac{7}{16}'' \times 1\frac{3}{4}''$



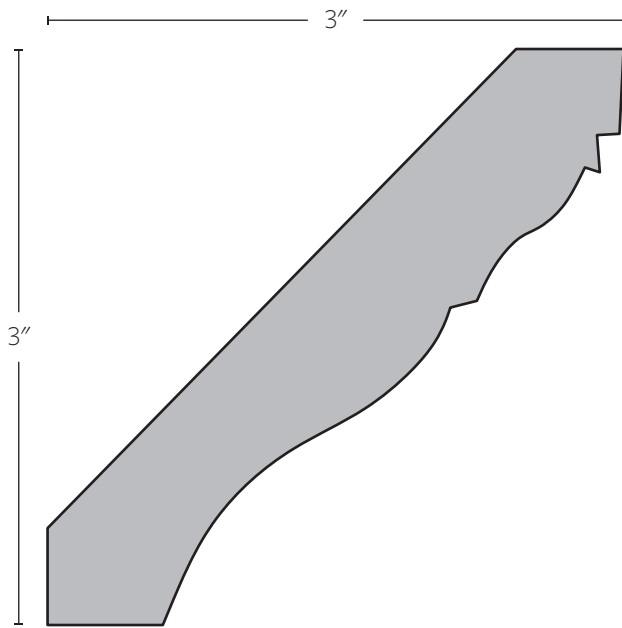
SWD 5046 | $\frac{3}{4}'' \times 5\frac{1}{4}''$ | 38/52



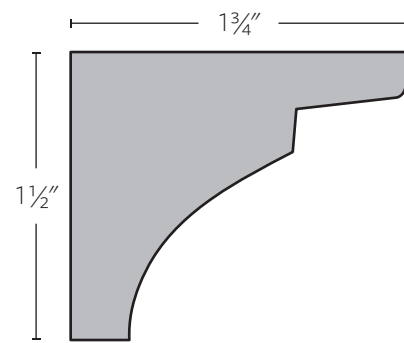
SWD 5047 | $1\frac{3}{16}'' \times 4''$ | $\frac{3}{4}'' \times 1\frac{13}{16}''$



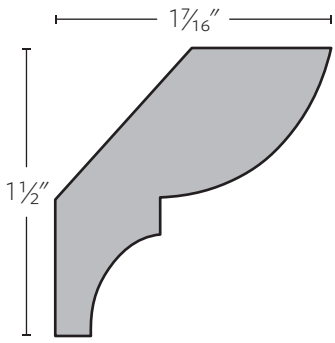
SWD 5048 | $\frac{3}{4}'' \times 2\frac{1}{4}''$ | 38/52



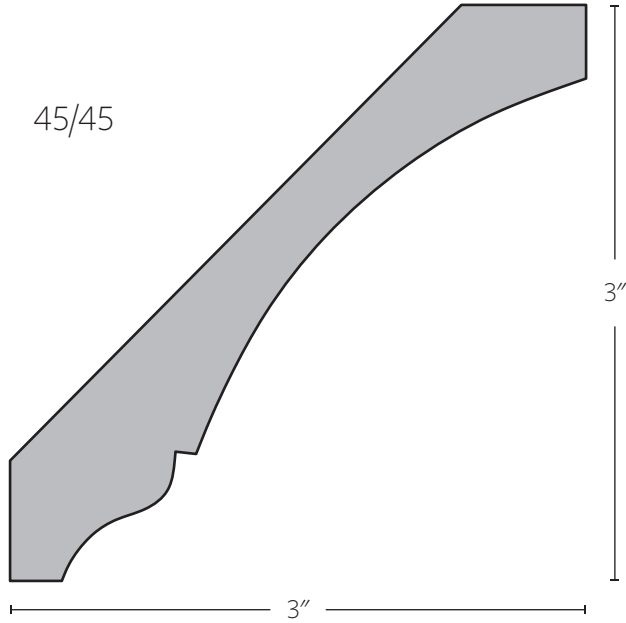
SWD 5049 | $\frac{3}{4}'' \times 4\frac{1}{16}''$ | 45/45



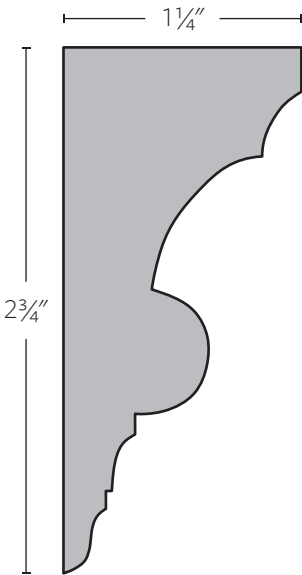
SWD 5050 | $1\frac{1}{2}'' \times 1\frac{3}{4}''$



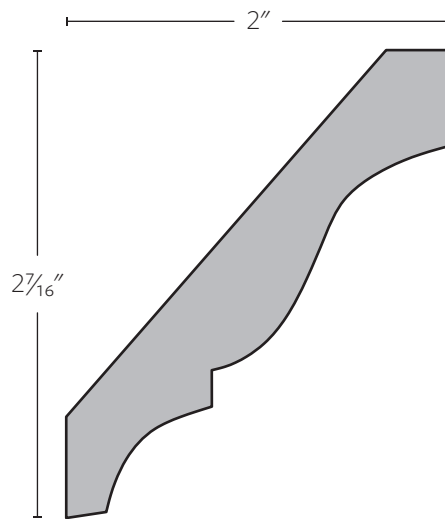
SWD 5051 | $1\frac{7}{16}'' \times 2\frac{1}{16}''$ | 45/45



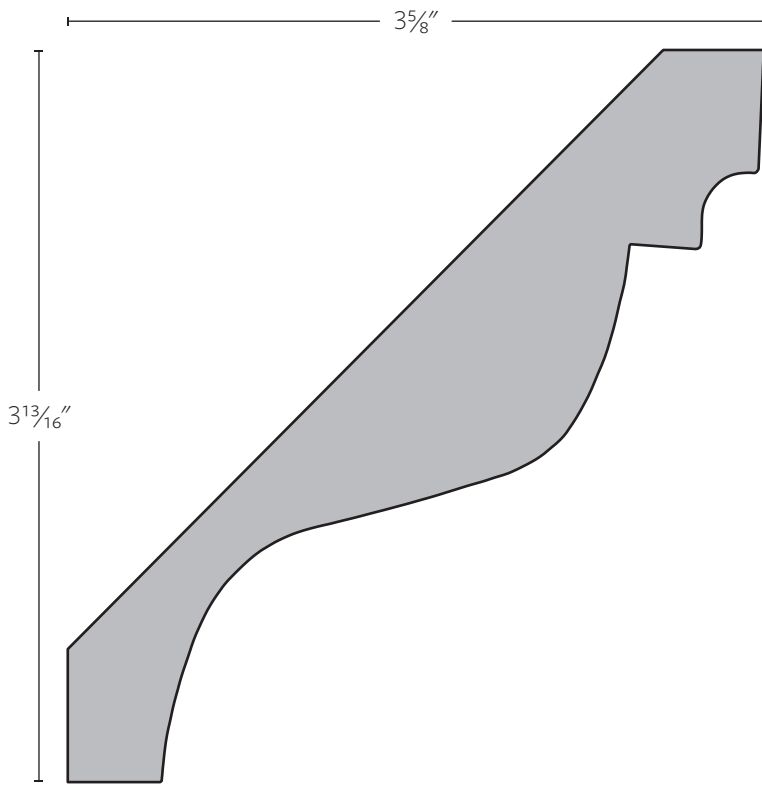
SWD 5052 | $\frac{3}{4}'' \times 4\frac{3}{8}''$ | 45/45



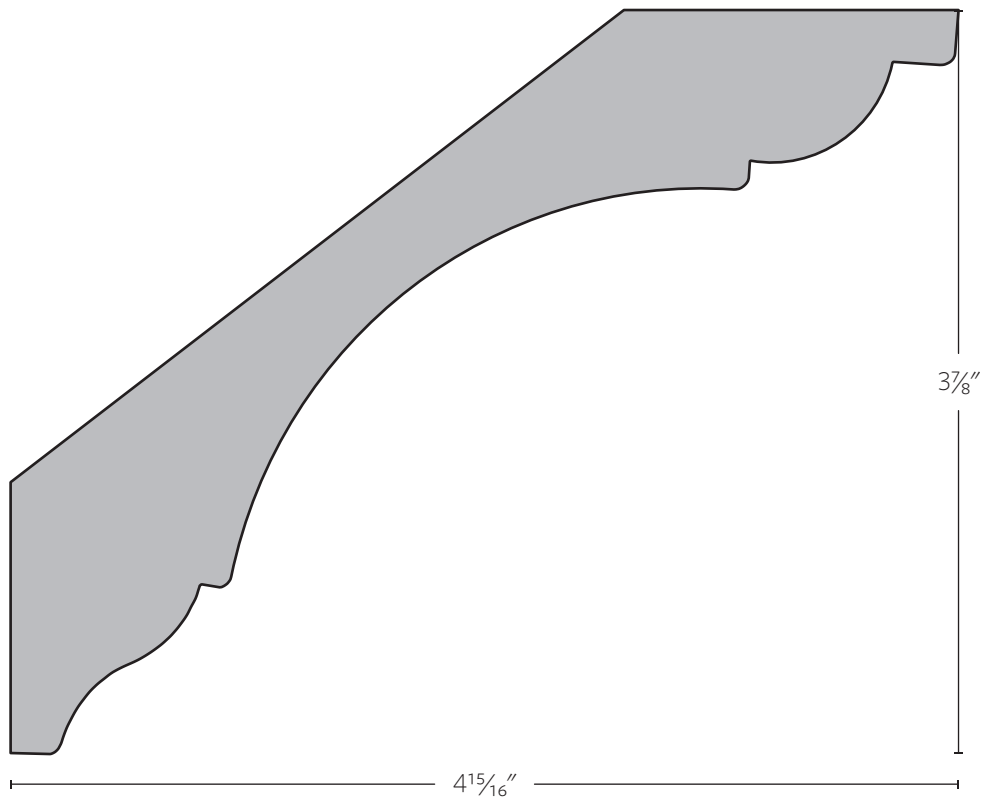
SWD 5053 | $1\frac{1}{4}'' \times 2\frac{3}{4}''$



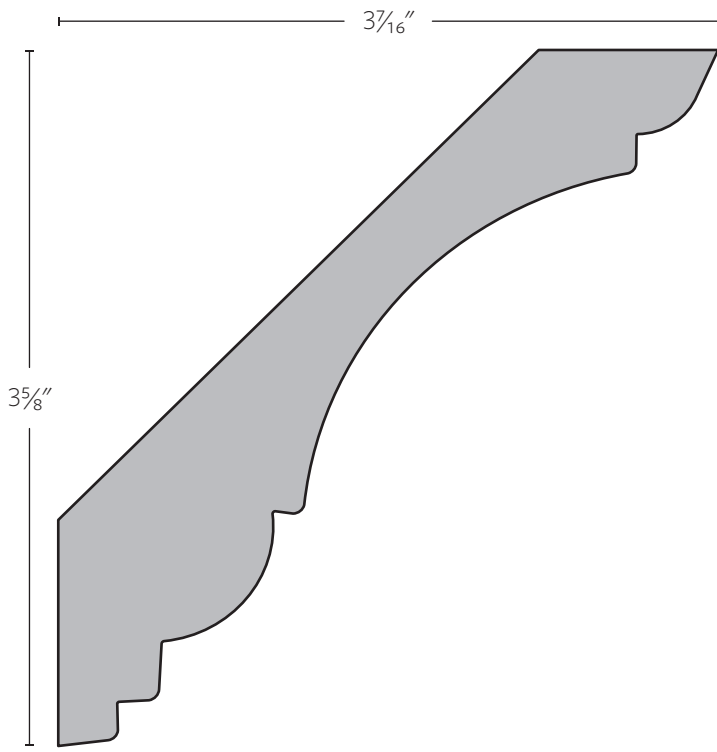
SWD 5054 | $\frac{9}{16}'' \times 3\frac{3}{16}''$ | 38/52



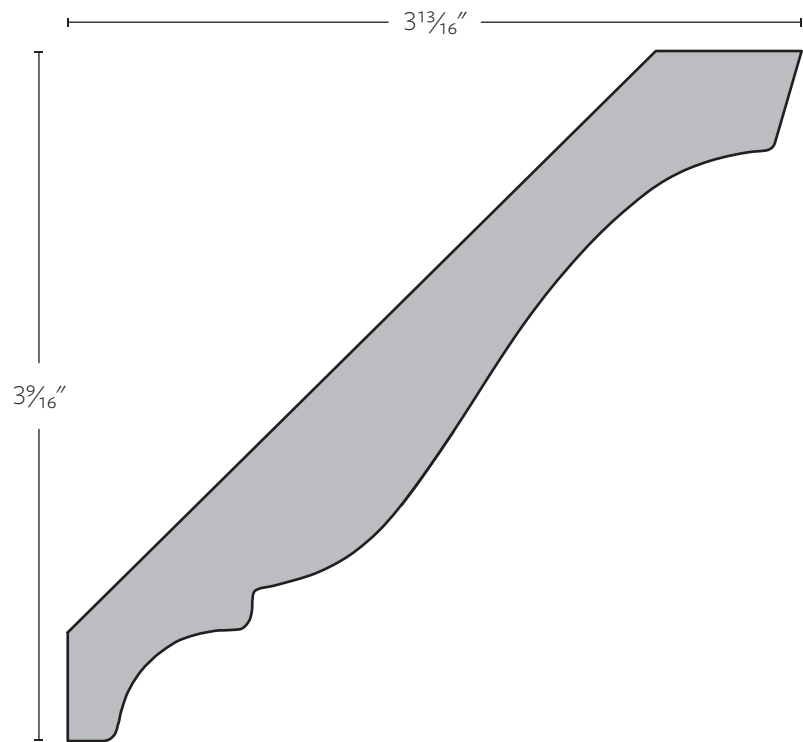
SWD 5055 | 1 1/16" x 5 1/4" | 45/45



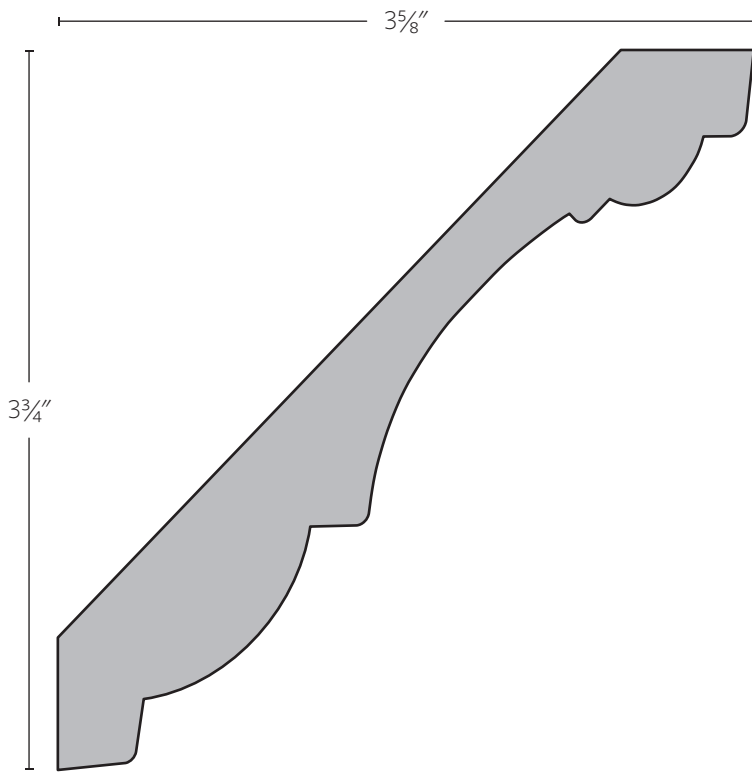
SWD 5056 | 1 1/4" x 6 1/4" | 38/52



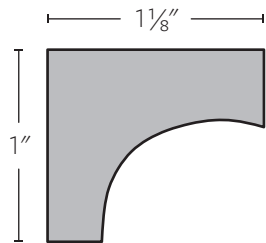
SWD 5057 | 1" x 4 15/16" | 45/45



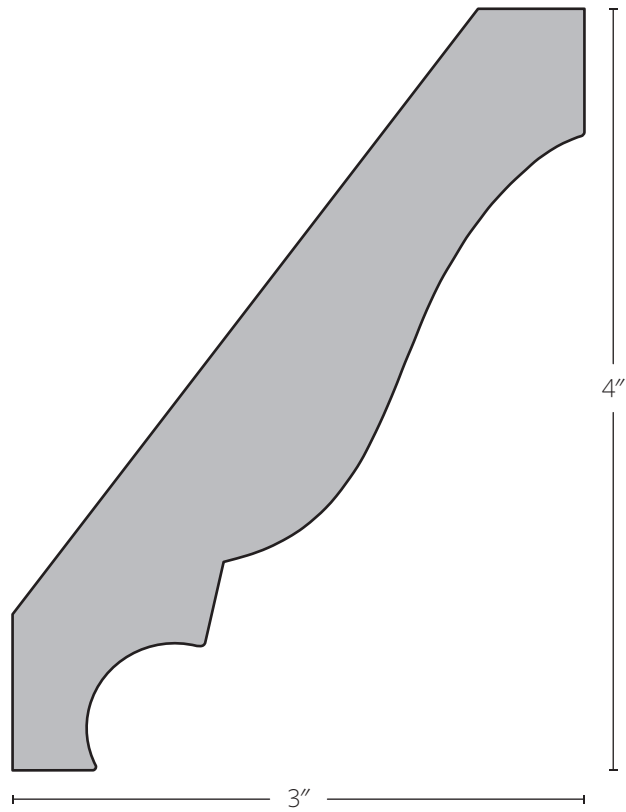
SWD 5058 | 3/4" x 5 1/8" | 45/45



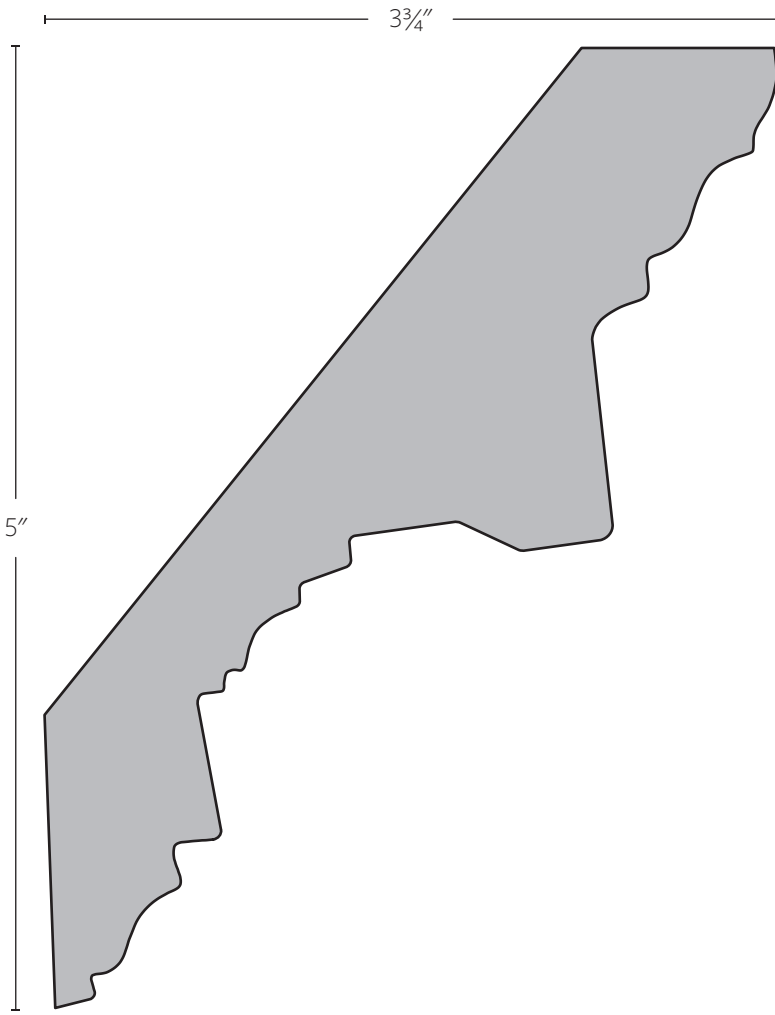
SWD 5059 | $\frac{3}{4}'' \times 5\frac{1}{4}''$ | 45/45



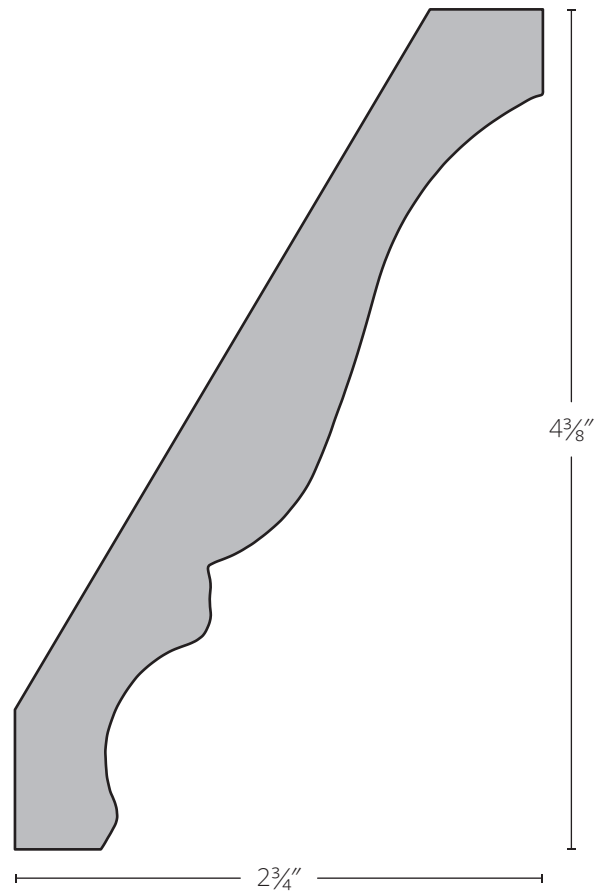
SWD 5060 | $1\frac{1}{8}'' \times 1''$



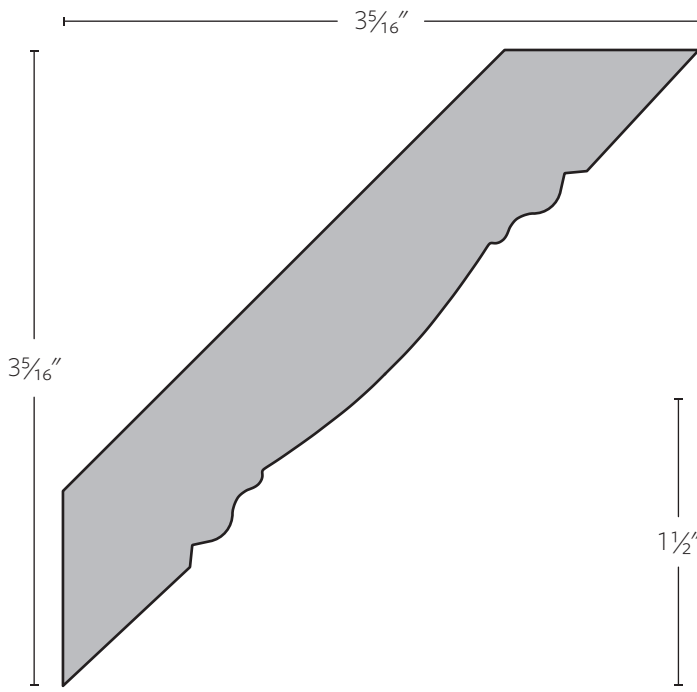
SWD 5061 | $1\frac{3}{16}'' \times 5''$ | 38/52



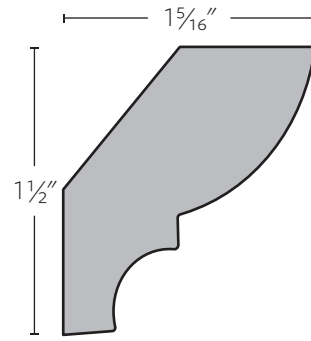
SWD 5062 | 1 5/8" x 6 1/4" | 38/52



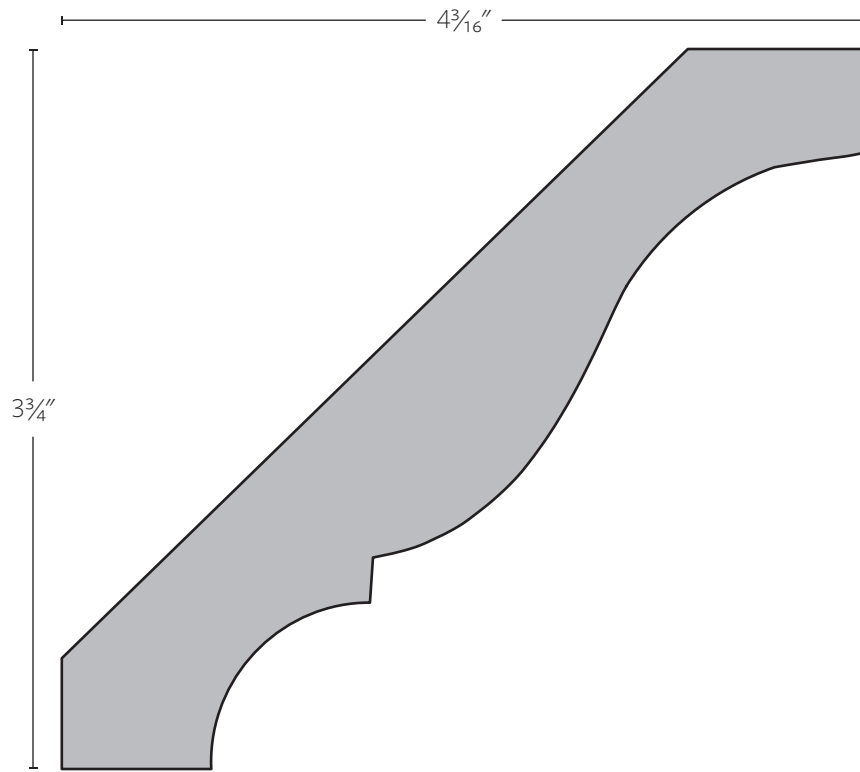
SWD 5063 | 3/4" x 5 1/8" | 30/60



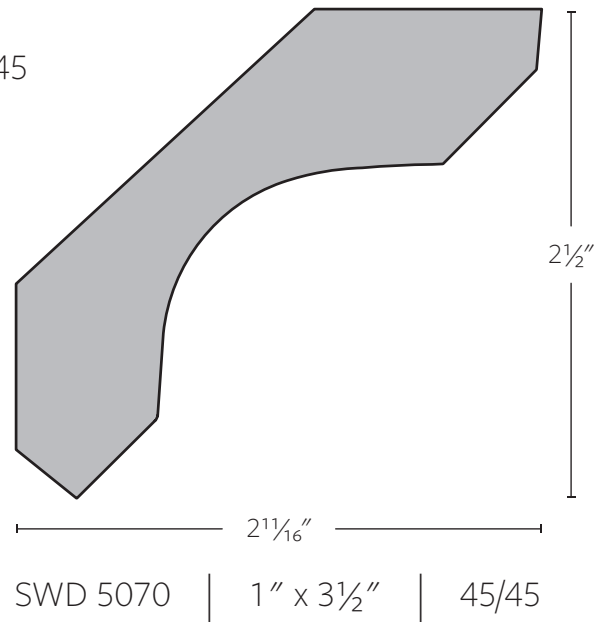
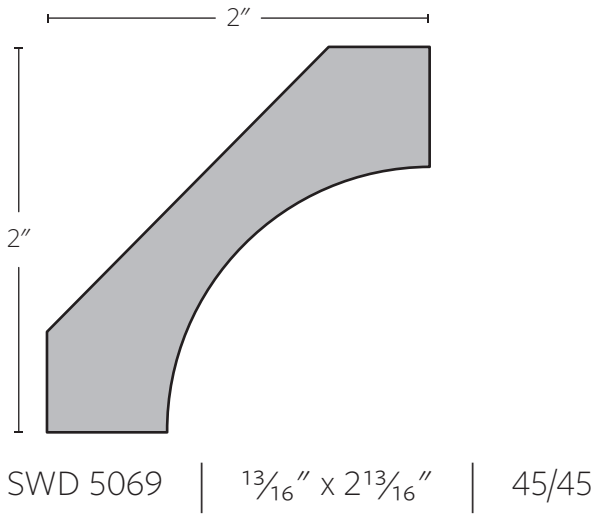
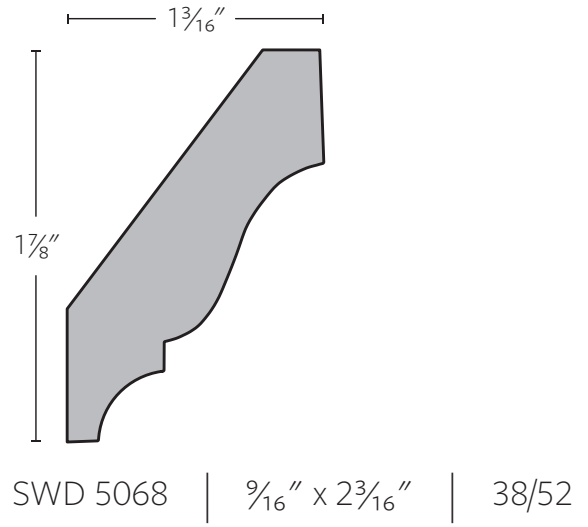
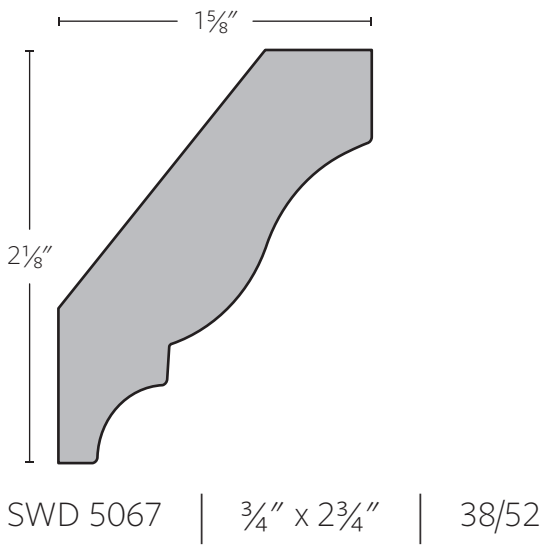
SWD 5064 | $\frac{3}{4}'' \times 4\frac{3}{4}''$ | 45/45

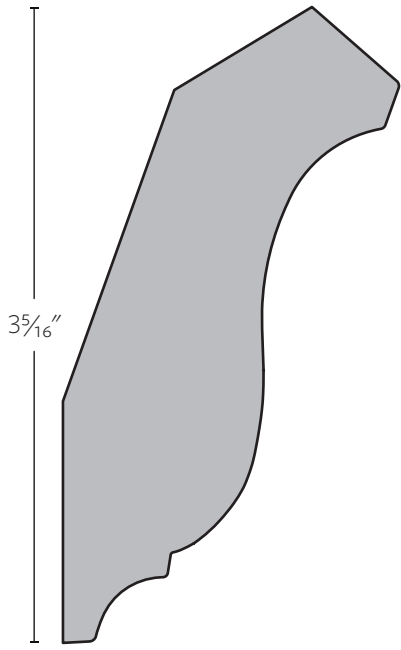


SWD 5065 | $\frac{3}{4}'' \times 1\frac{15}{16}''$ | 38/52

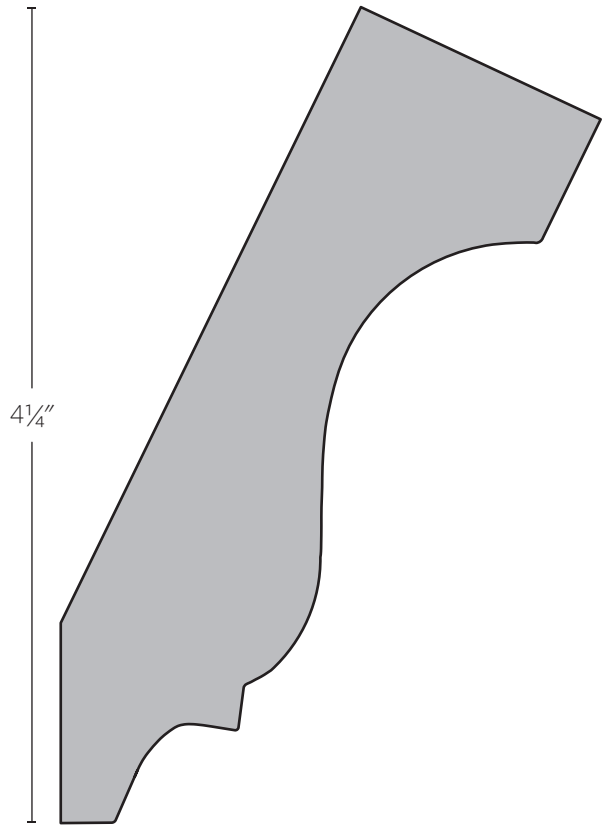


SWD 5066 | $1'' \times 5\frac{5}{8}''$ | 45/45

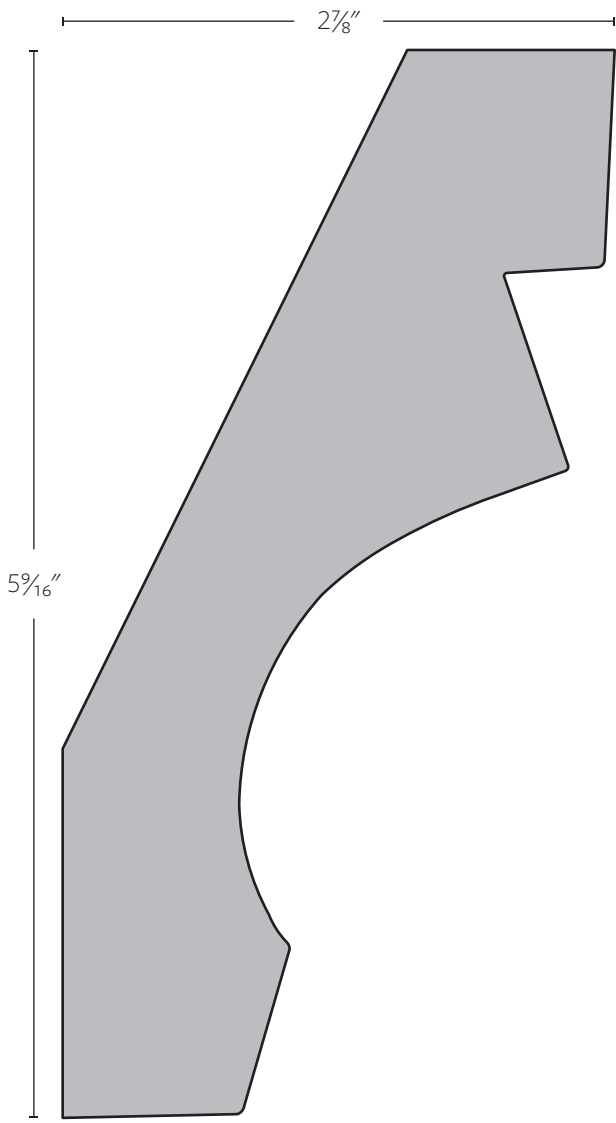




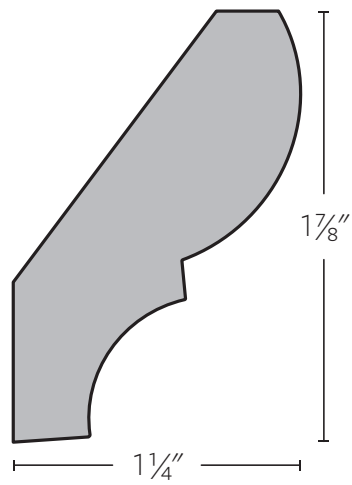
SWD 5071 | 1 1/8" x 3 5/8"



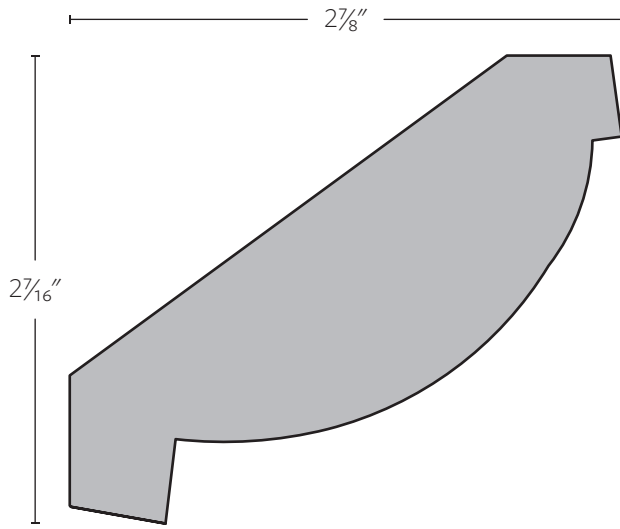
SWD 5072 | 1 5/16" x 4 1/2"



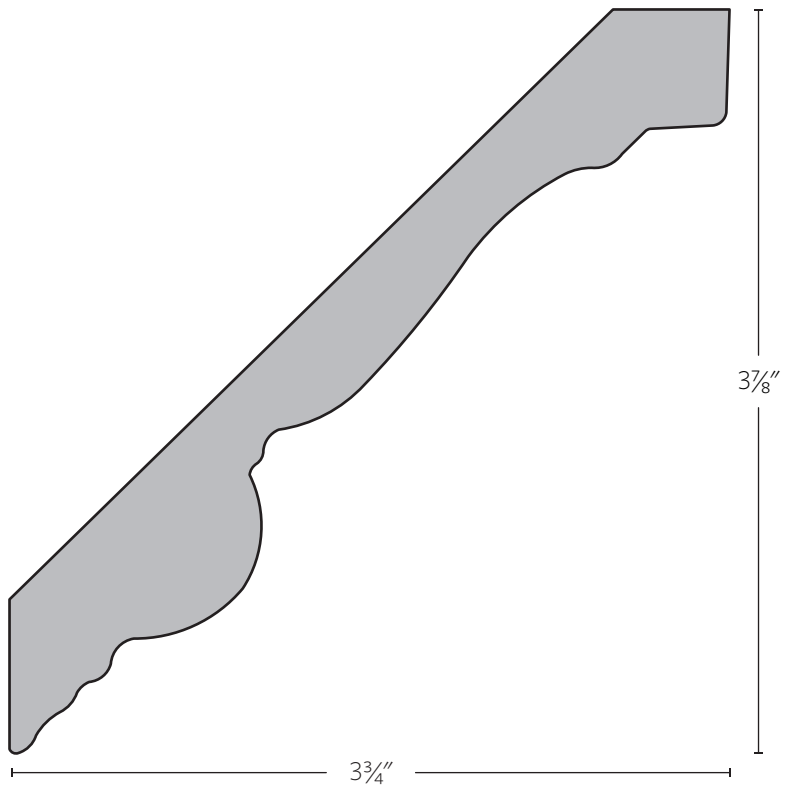
SWD 5073 | $1\frac{3}{4}$ " x $6\frac{1}{4}$ " | 30/60



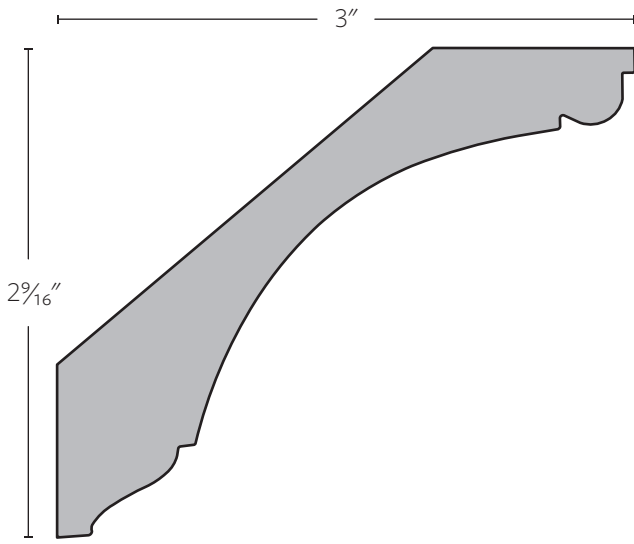
SWD 5074 | $1\frac{1}{16}$ " x $2\frac{1}{4}$ " | 38/52



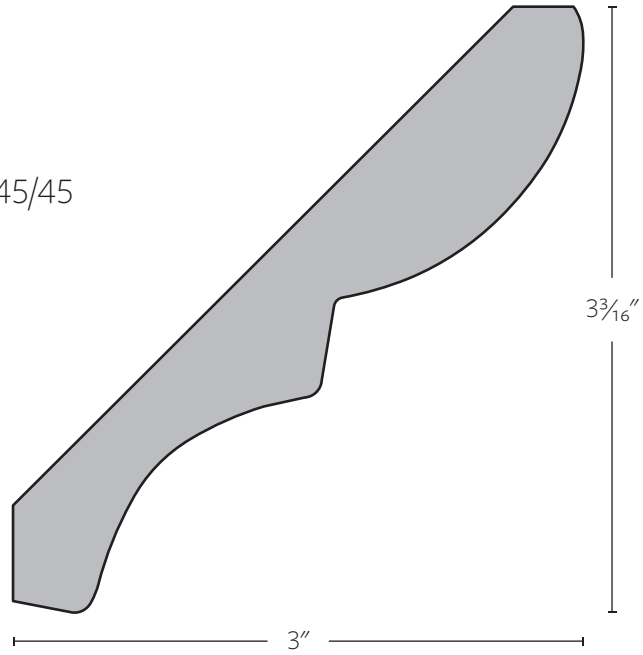
SWD 5075 | $1\frac{3}{16}$ " x $3\frac{3}{4}$ " | 38/52



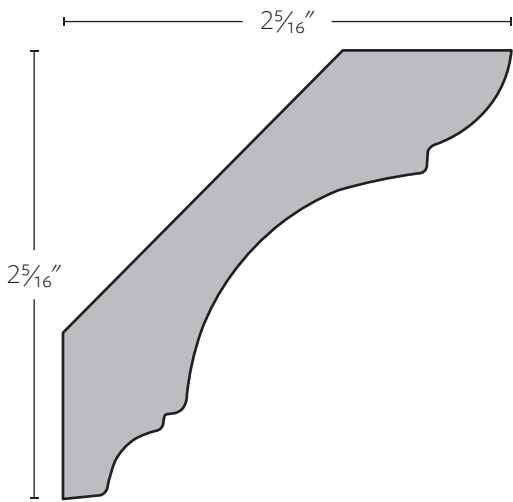
SWD 5076 | $1\frac{3}{16}$ " x $5\frac{3}{8}$ " | 45/45



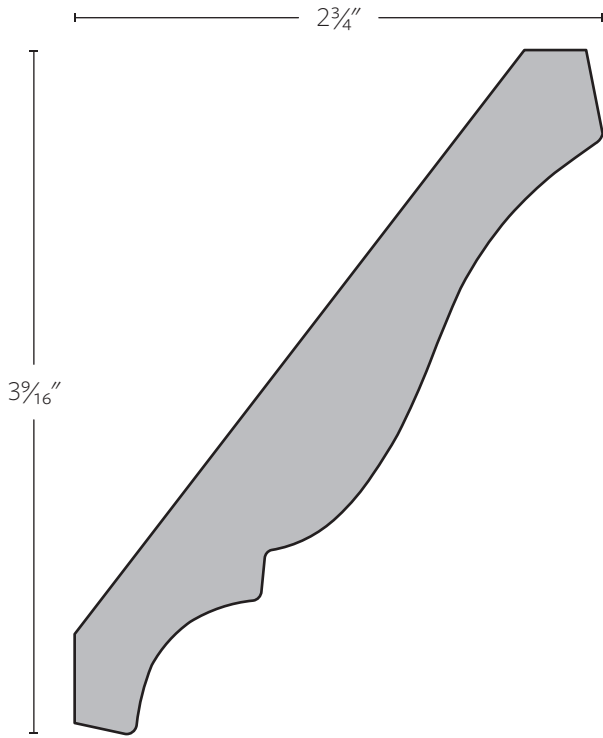
SWD 5077 | $\frac{7}{8}'' \times 3\frac{15}{16}''$ | 45/45



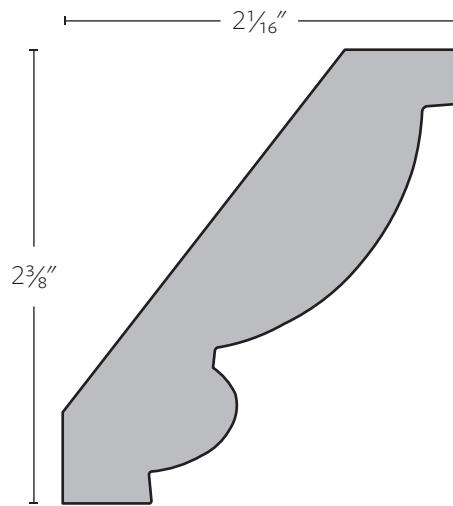
SWD 5078 | $\frac{3}{4}'' \times 4\frac{3}{8}''$ | 45/45



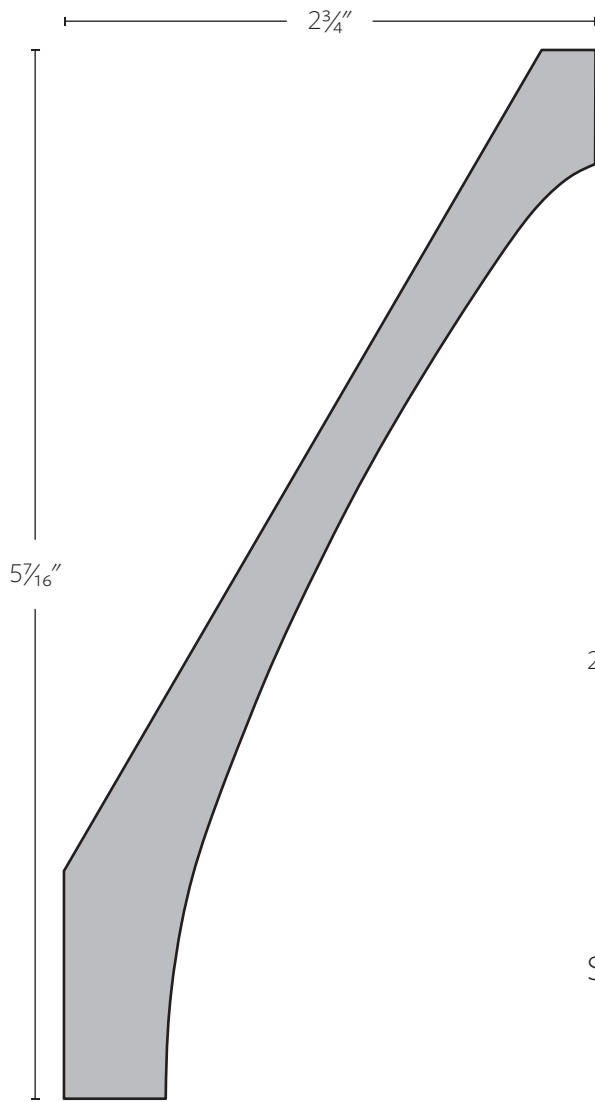
SWD 5079 | $\frac{3}{4}'' \times 3\frac{1}{4}''$ | 45/45



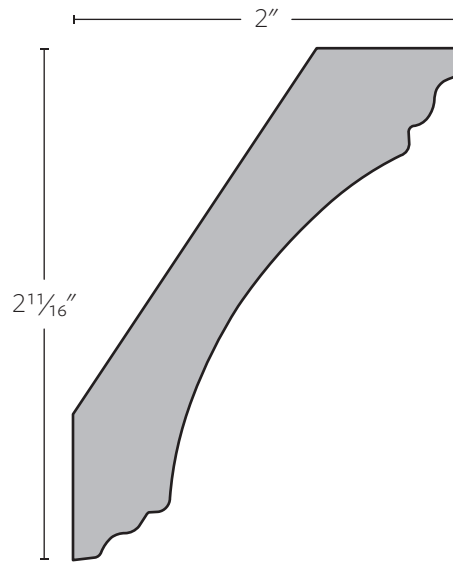
SWD 5080 | 3/4" x 4 1/2" | 38/52



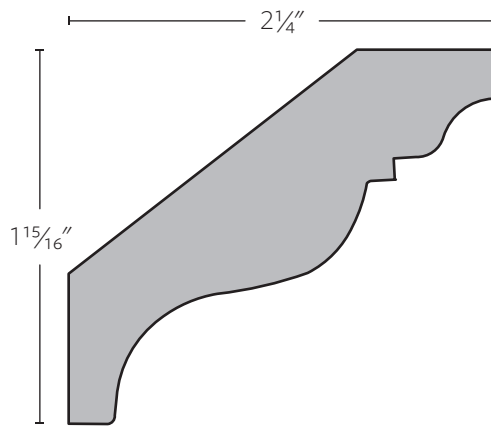
SWD 5081 | 3/4" x 3 1/8" | 38/52



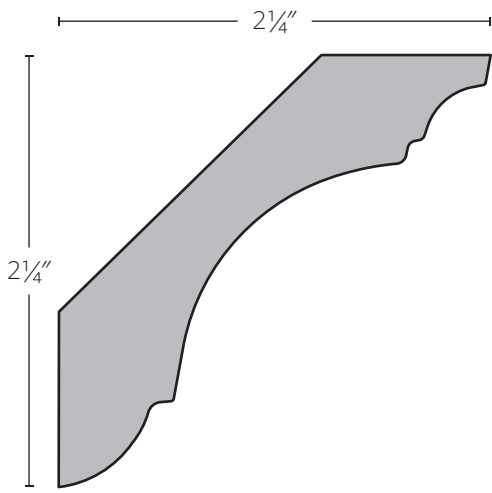
SWD 5082 | 1 1/8" x 6 1/8" | 30/60



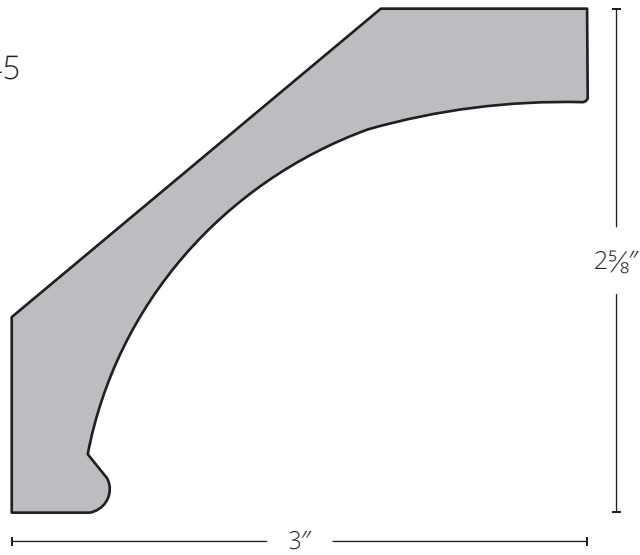
SWD 5083 | 1 1/16" x 3 5/16" | 30/60



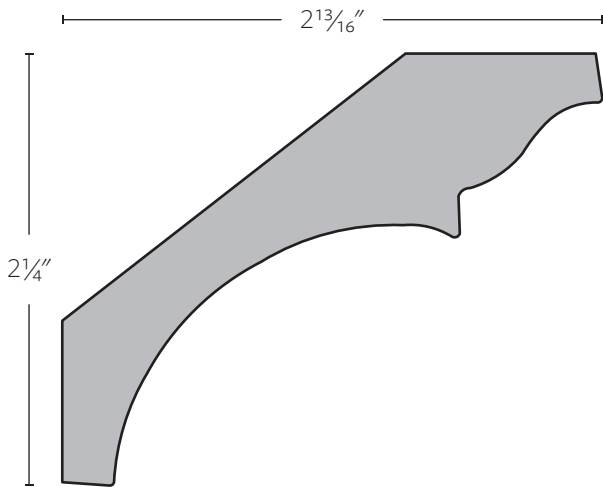
SWD 5084 | 3/4" x 2 15/16" | 38/52



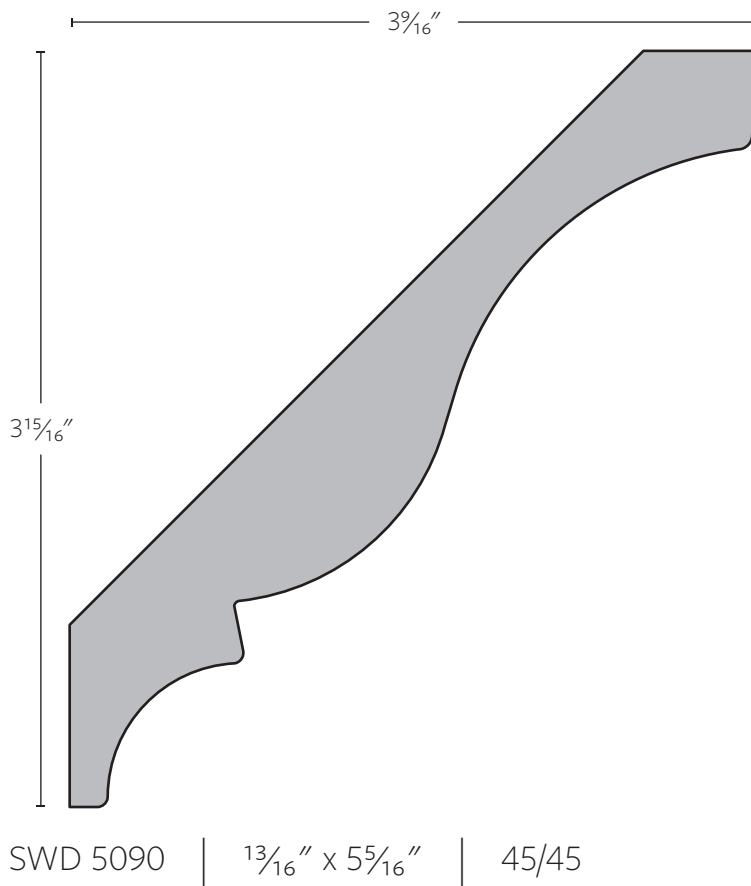
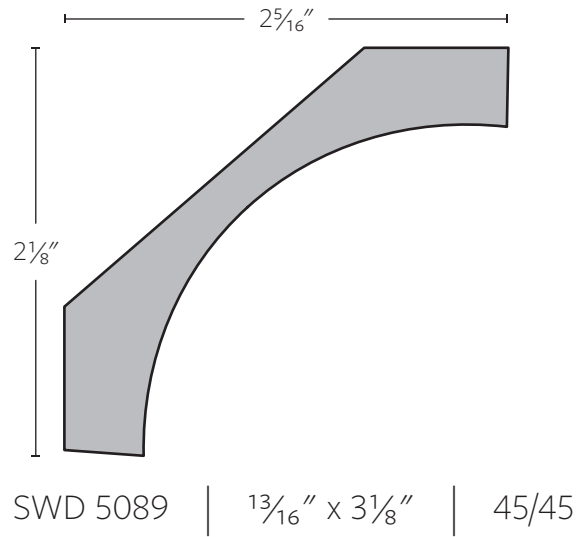
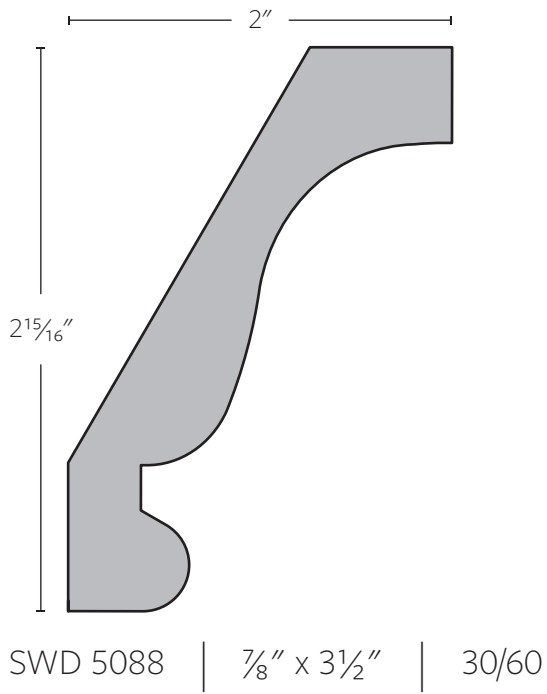
SWD 5085 | $\frac{3}{4}'' \times 3\frac{1}{4}''$ | 45/45

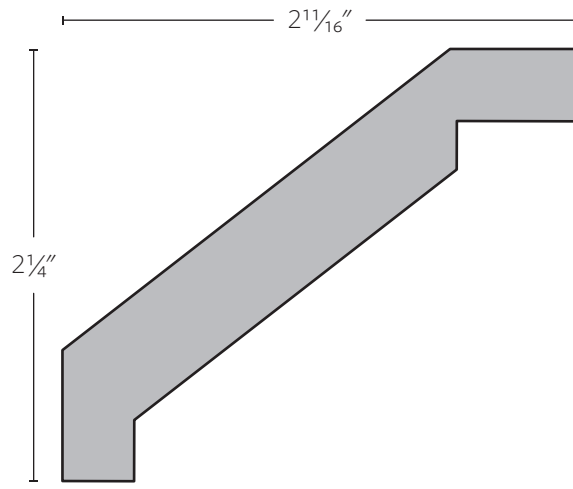


SWD 5086 | $1\frac{1}{16}'' \times 4''$ | 38/52

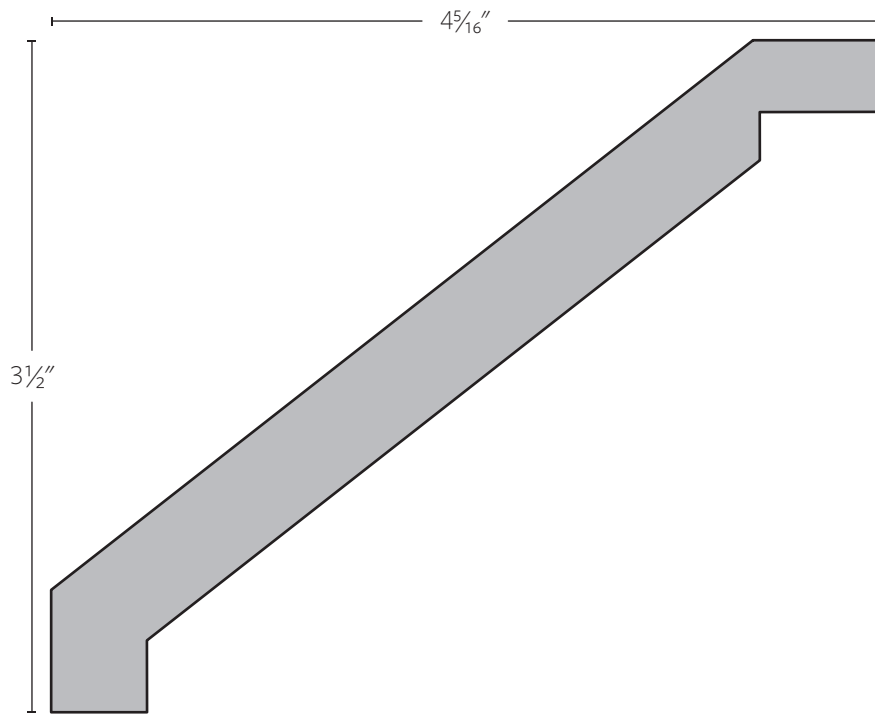


SWD 5087 | $1\frac{5}{16}'' \times 3\frac{5}{8}''$ | 38/52

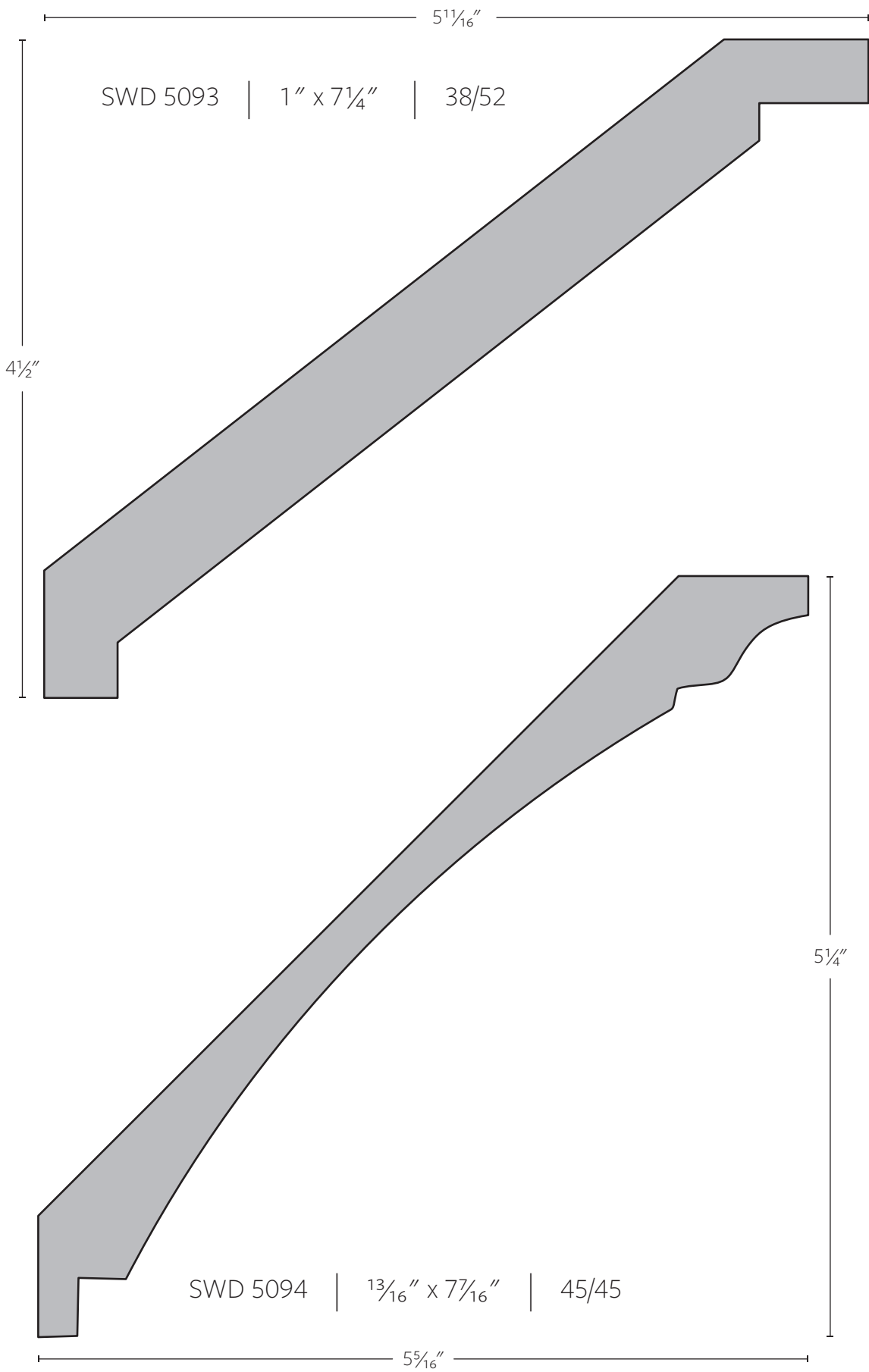


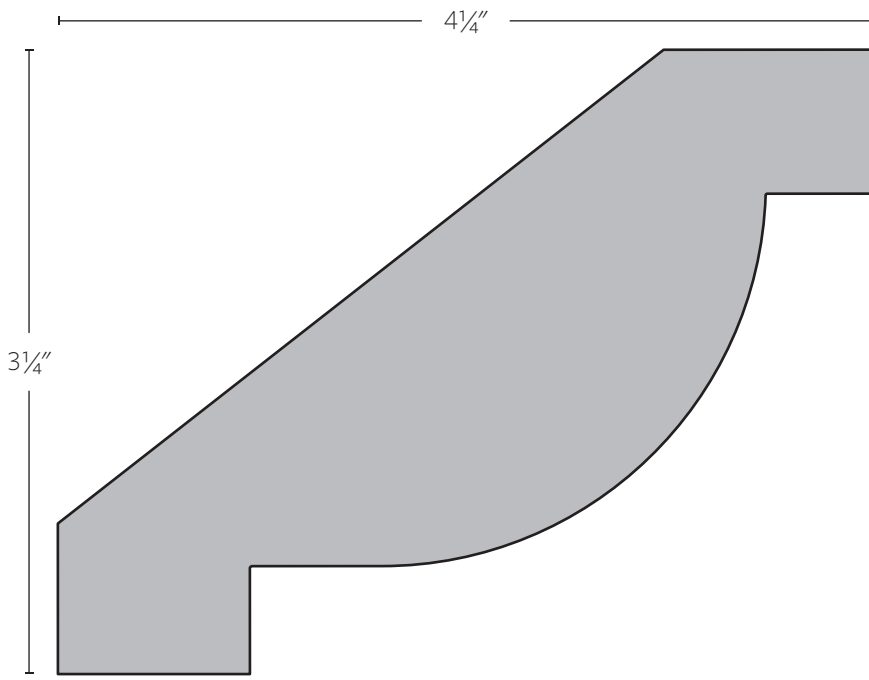


SWD 5091 | $\frac{3}{4}'' \times 3\frac{1}{2}''$ | 38/52

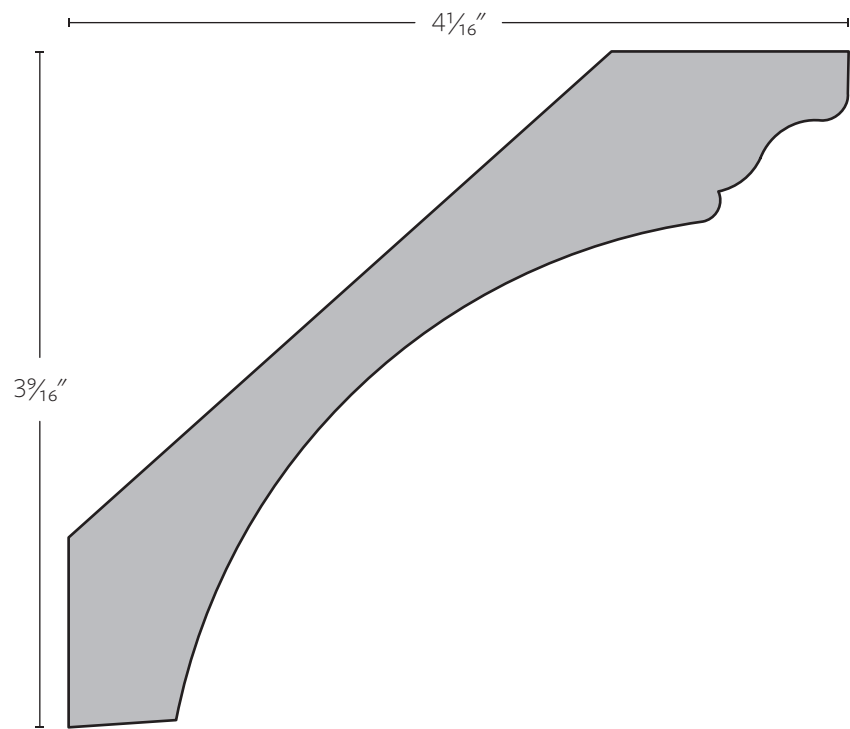


SWD 5092 | $\frac{3}{4}'' \times 5\frac{1}{2}''$ | 38/52

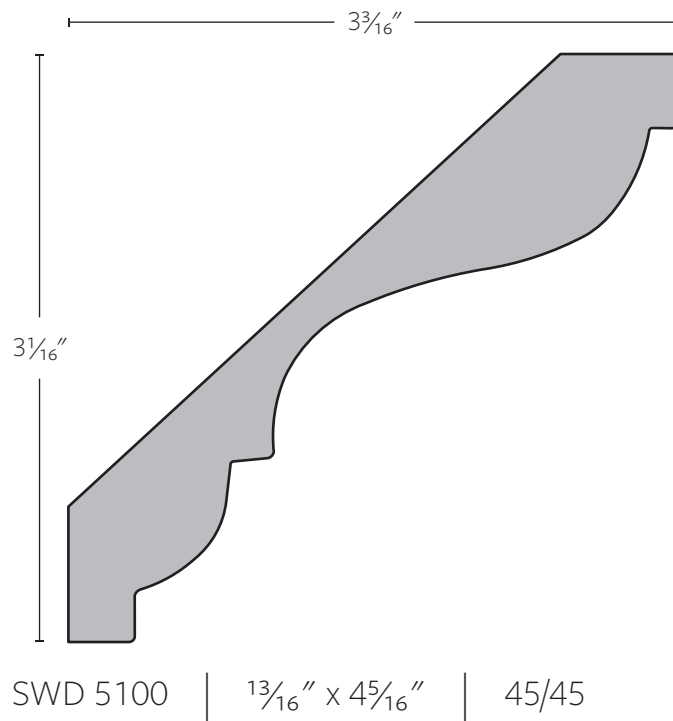
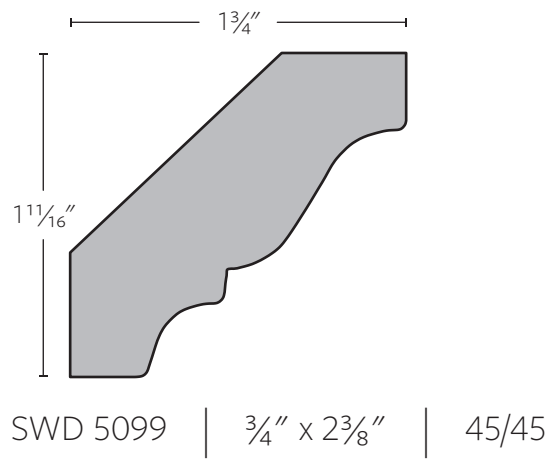
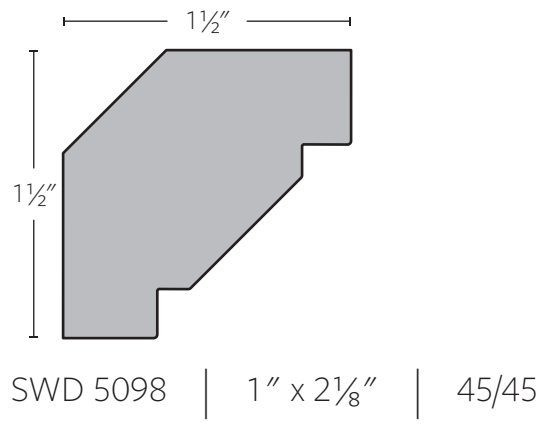
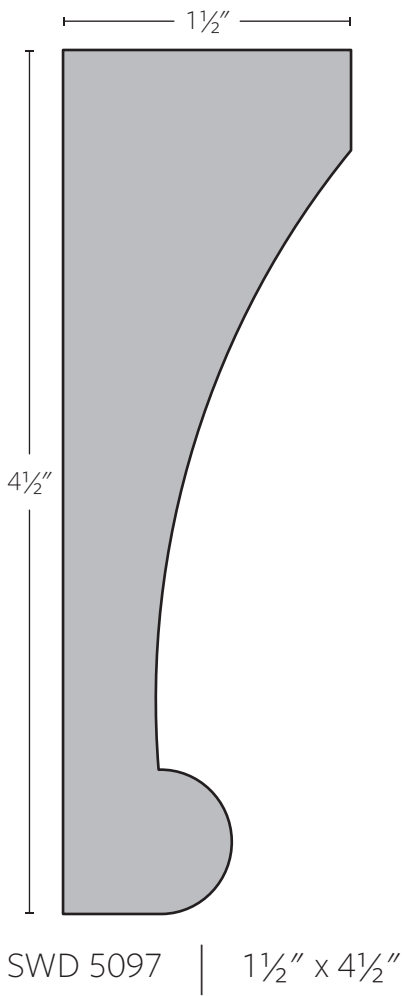


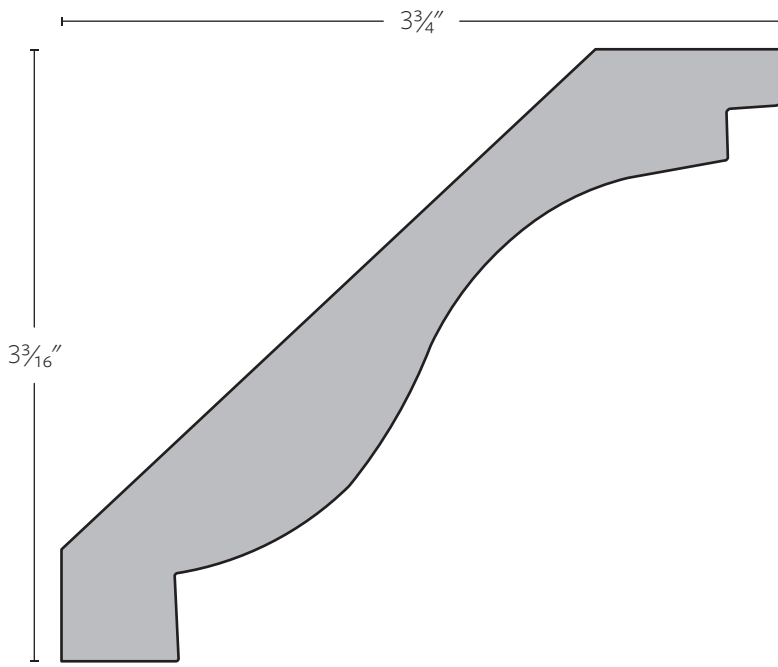


SWD 5095 | $1\frac{5}{8}'' \times 5\frac{3}{8}''$ | 38/52

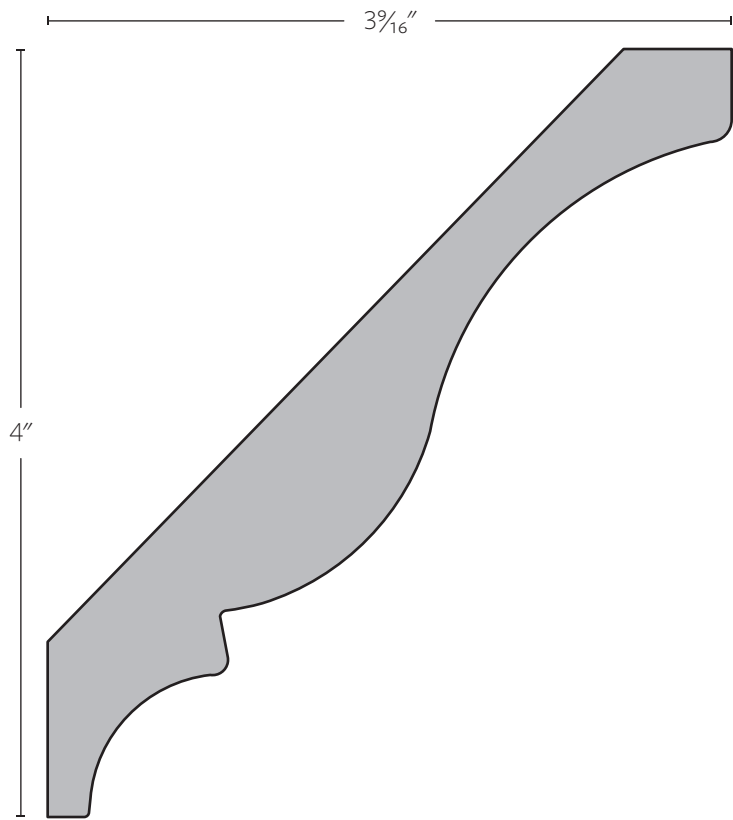


SWD 5096 | $1\frac{1}{16}'' \times 5\frac{3}{8}''$ | 45/45

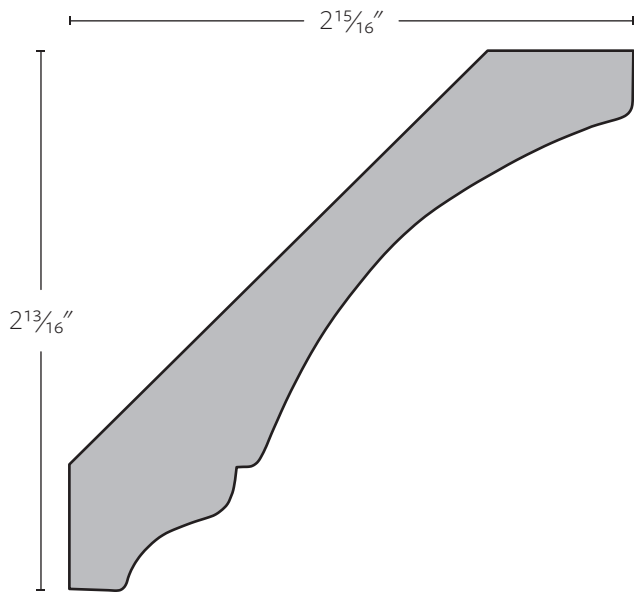




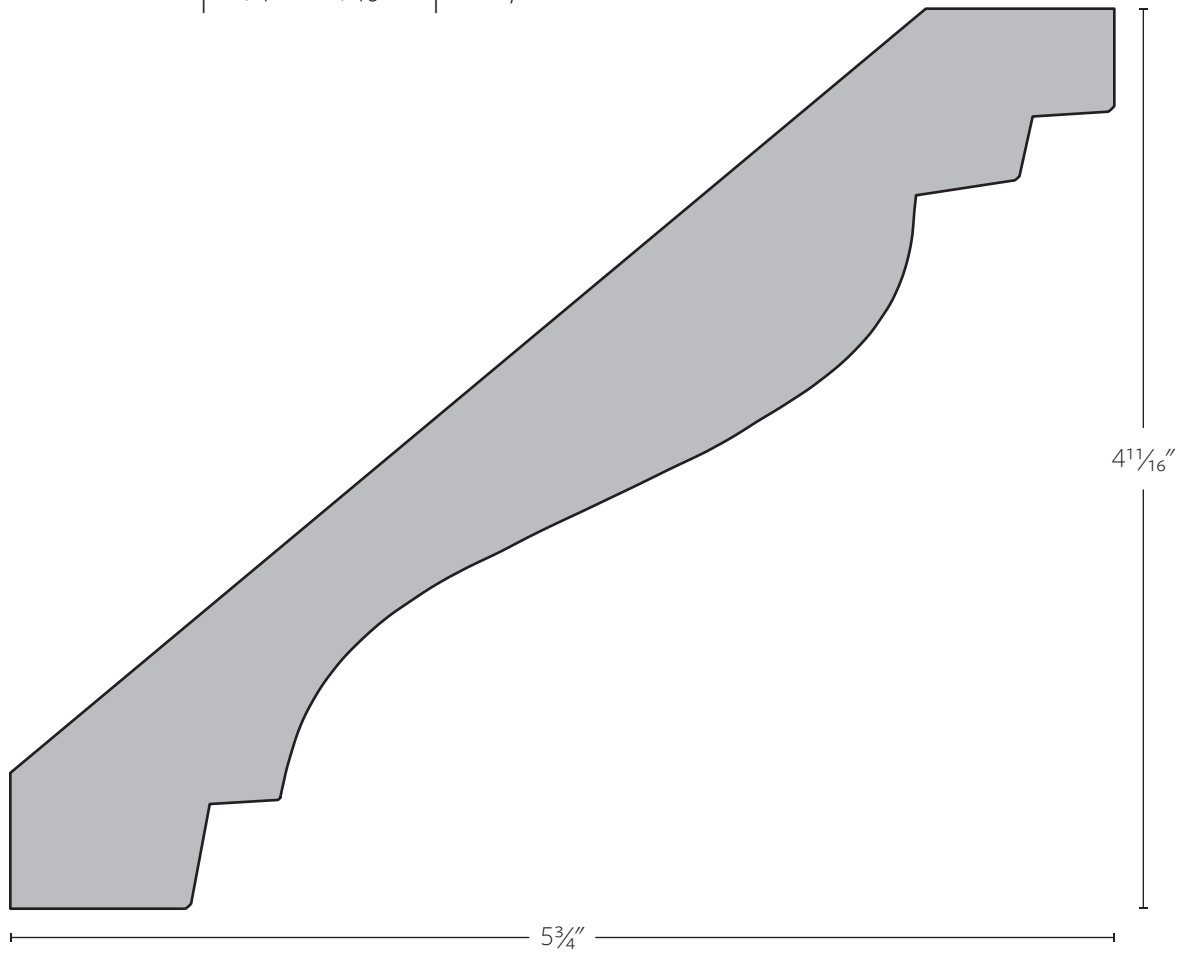
SWD 5101 | $1\frac{3}{16}'' \times 4\frac{7}{8}''$ | 45/45



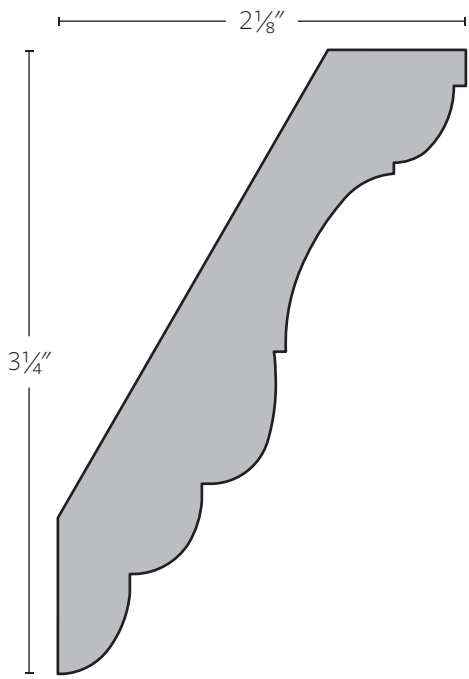
SWD 5102 | $1\frac{3}{16}'' \times 5\frac{3}{8}''$ | 45/45



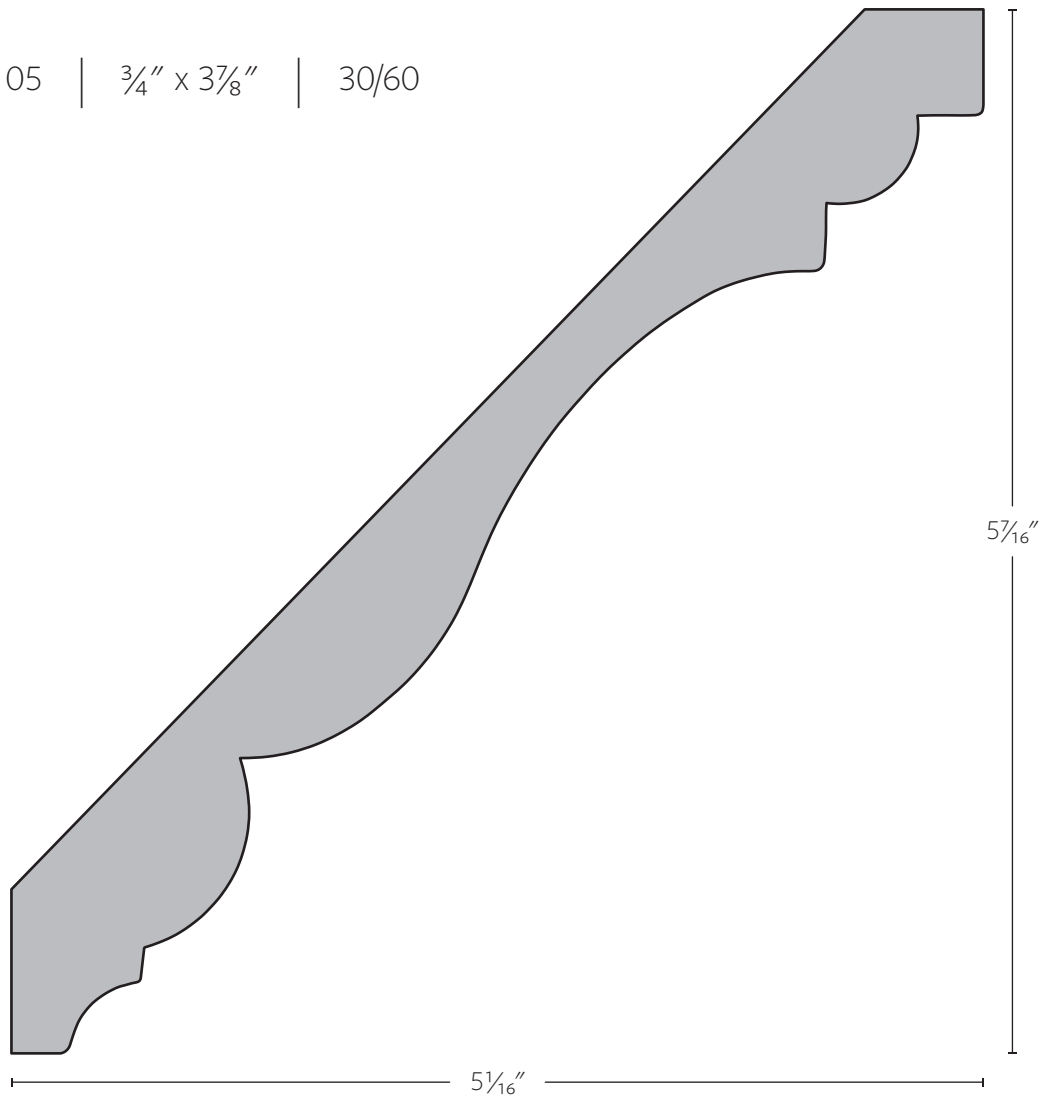
SWD 5103 | $\frac{3}{4}$ " x $4\frac{1}{16}$ " | 45/45



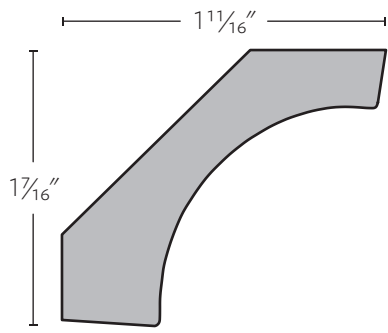
SWD 5104 | $1\frac{1}{8}$ " x $7\frac{7}{16}$ " | 38/52



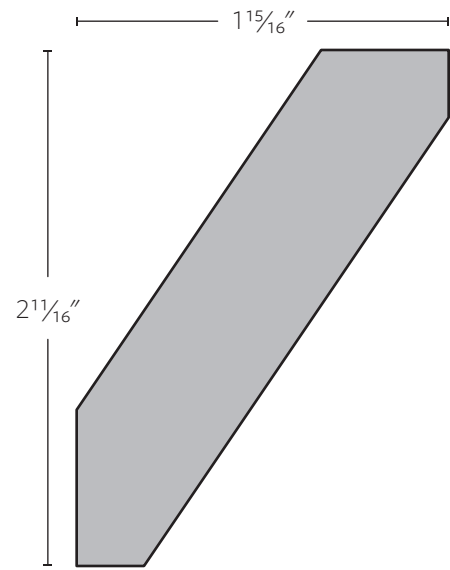
SWD 5105 | $\frac{3}{4}'' \times \frac{37}{8}''$ | 30/60



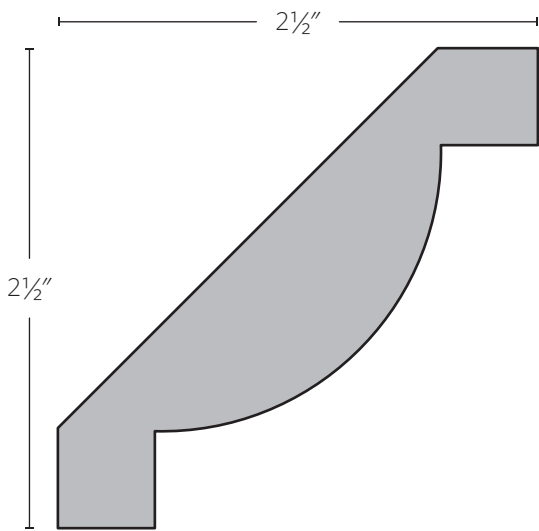
SWD 5106 | $1\frac{3}{16}'' \times 7\frac{1}{2}''$ | 38/52



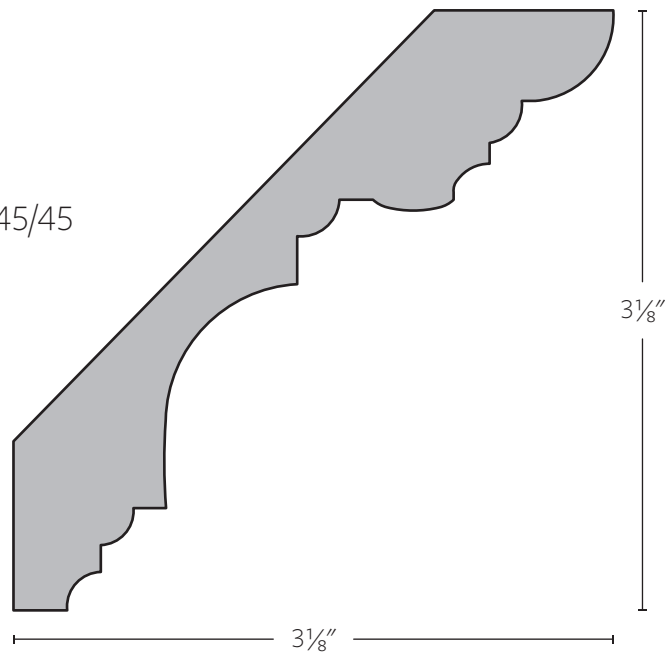
SWD 5107 | 3/4" x 2 1/4" | 45/45



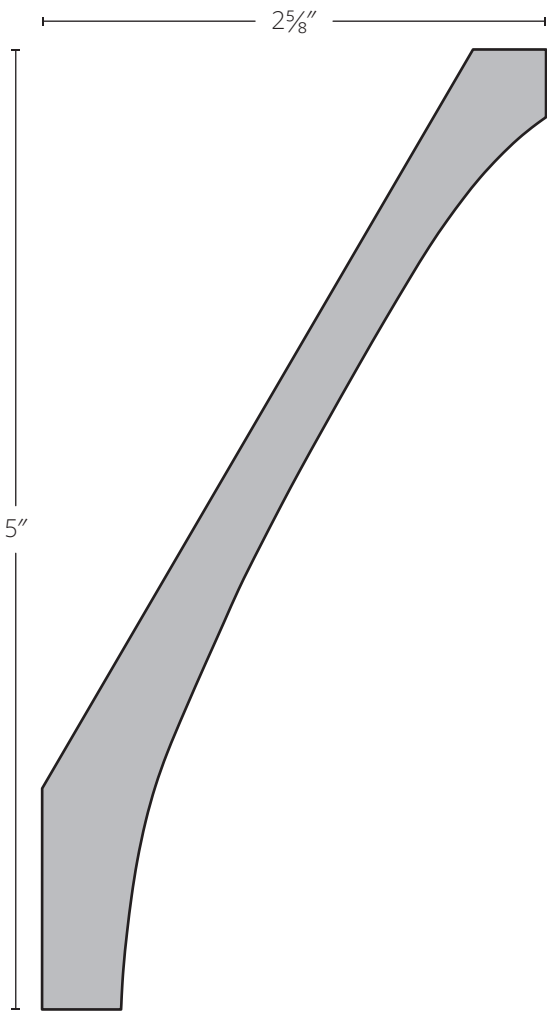
SWD 5108 | 3/4" x Customer Specs | 38/52



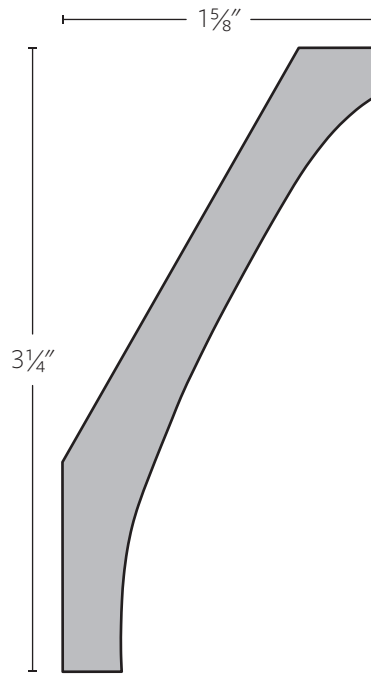
SWD 5109 | 1 3/16" x 3 1/2" | 45/45



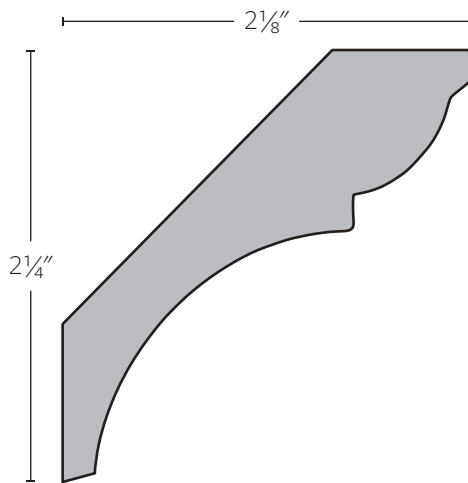
SWD 5110 | 1 3/16" x 4 27/64" | 45/45



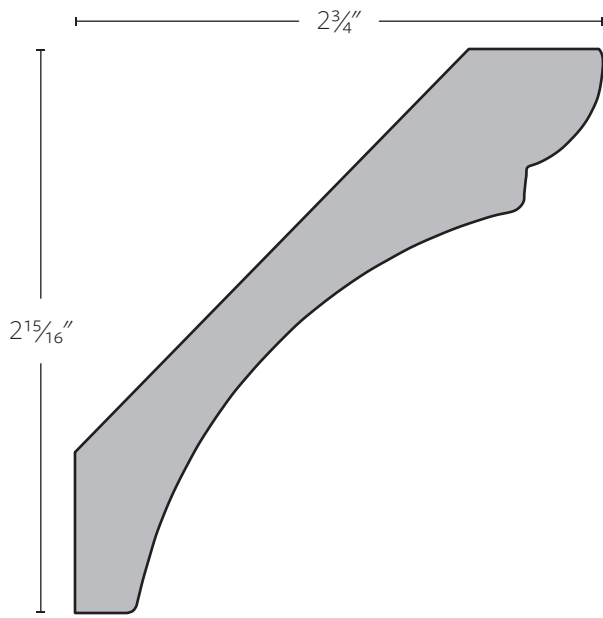
SWD 5111 | 1" x 5 5/8" | 30/60



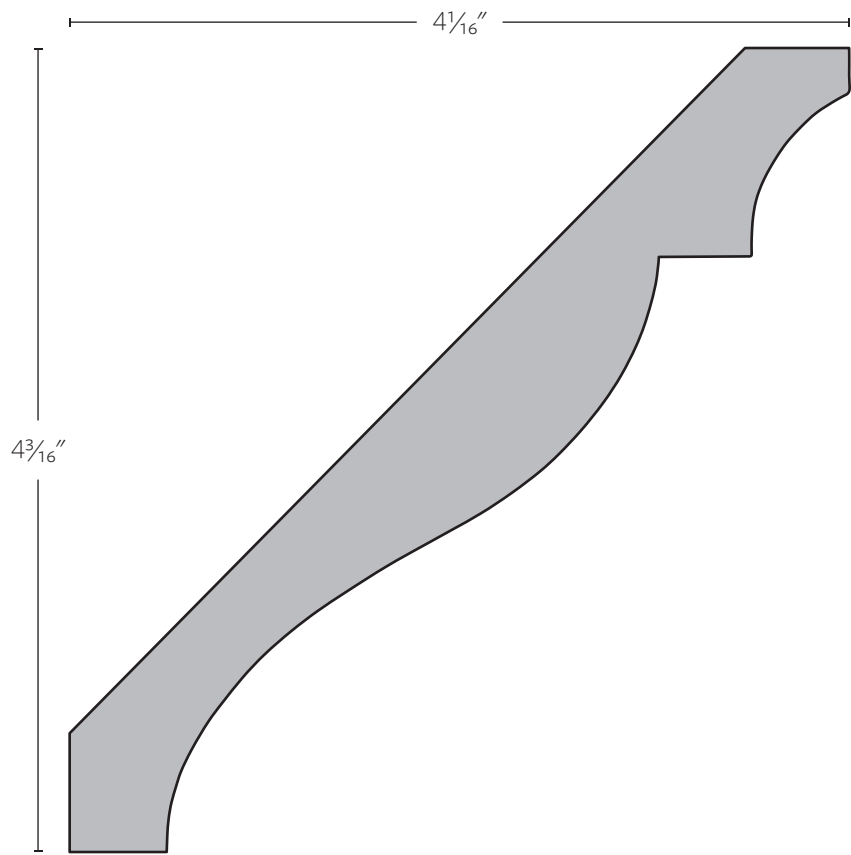
SWD 5112 | 1 3/16" x 3 5/8" | 30/60



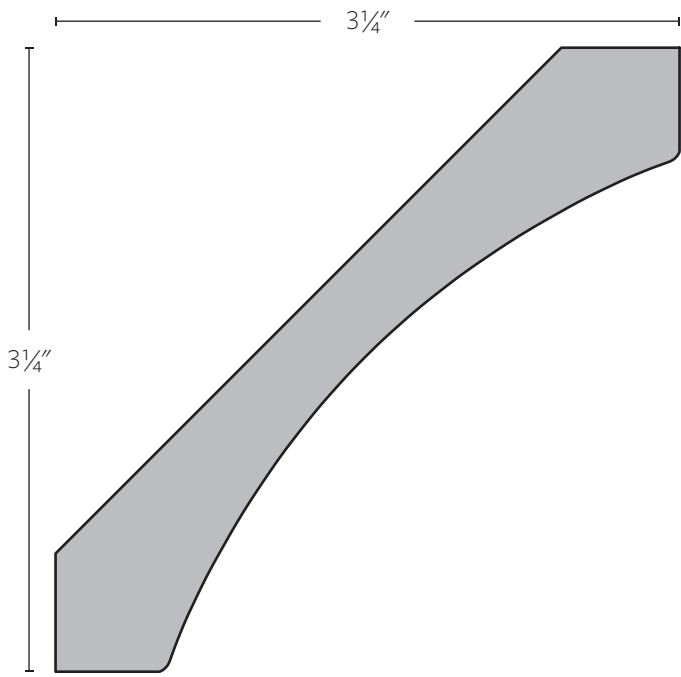
SWD 5113 | 3/4" x 3" | 45/45



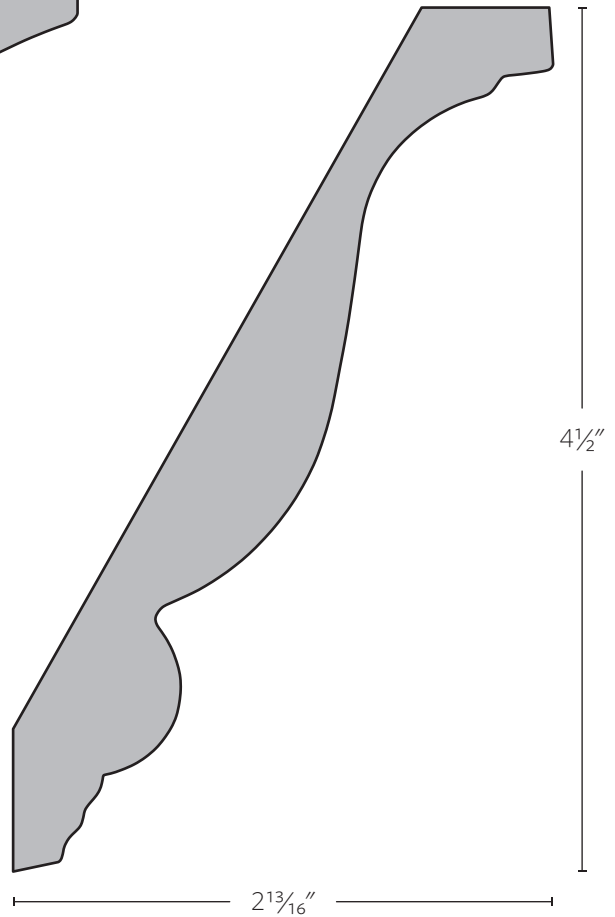
SWD 5114 | 1 3/16" x 4" | 45/45



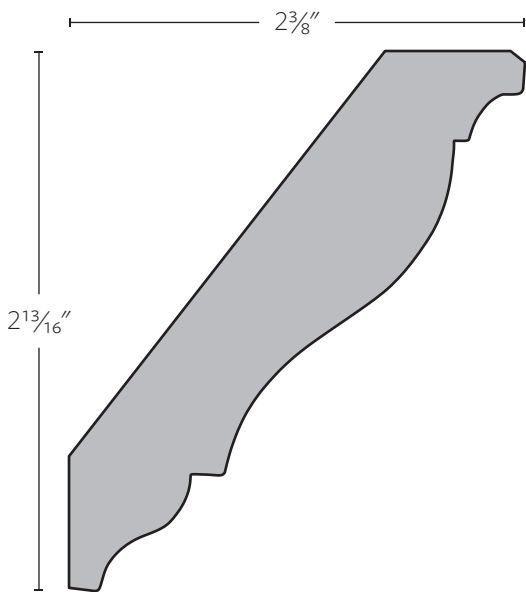
SWD 5115 | 1 3/16" x 5 7/8" | 45/45



SWD 5116 | $1\frac{3}{16}'' \times 4\frac{9}{16}''$ | 45/45



SWD 5117 | $\frac{3}{4}'' \times 5\frac{1}{4}''$ | 30/60



SWD 5118 | $1\frac{3}{16}'' \times 3\frac{5}{8}''$ | 30/60