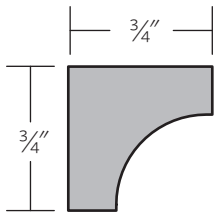
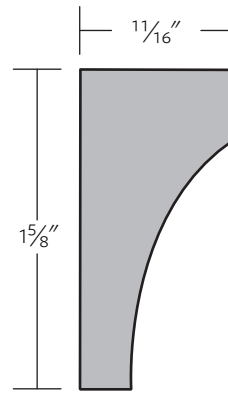


SECTION 5

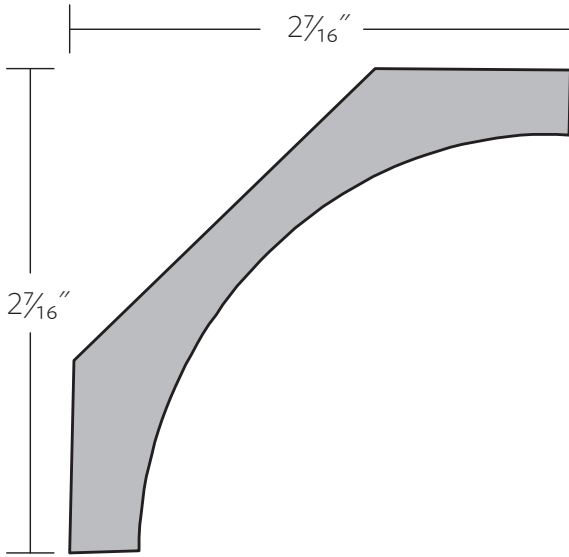
Crown Profiles



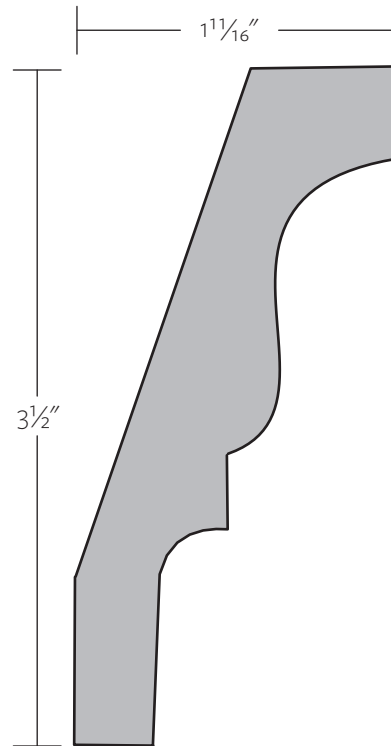
SWD 500 | $\frac{3}{4}'' \times \frac{3}{4}''$



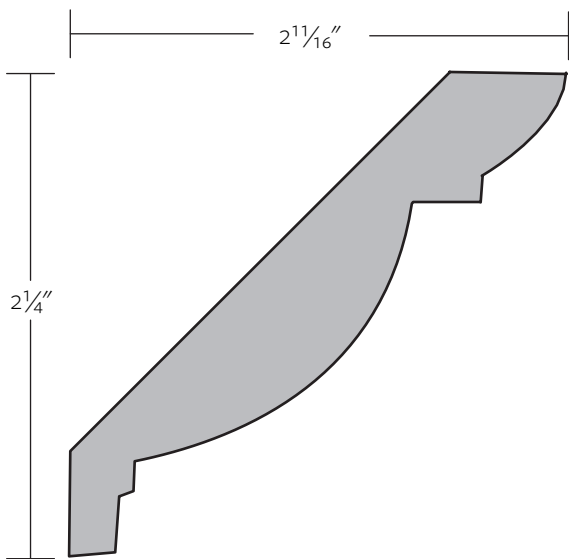
SWD 501 | $1\frac{1}{16}'' \times 1\frac{5}{8}''$



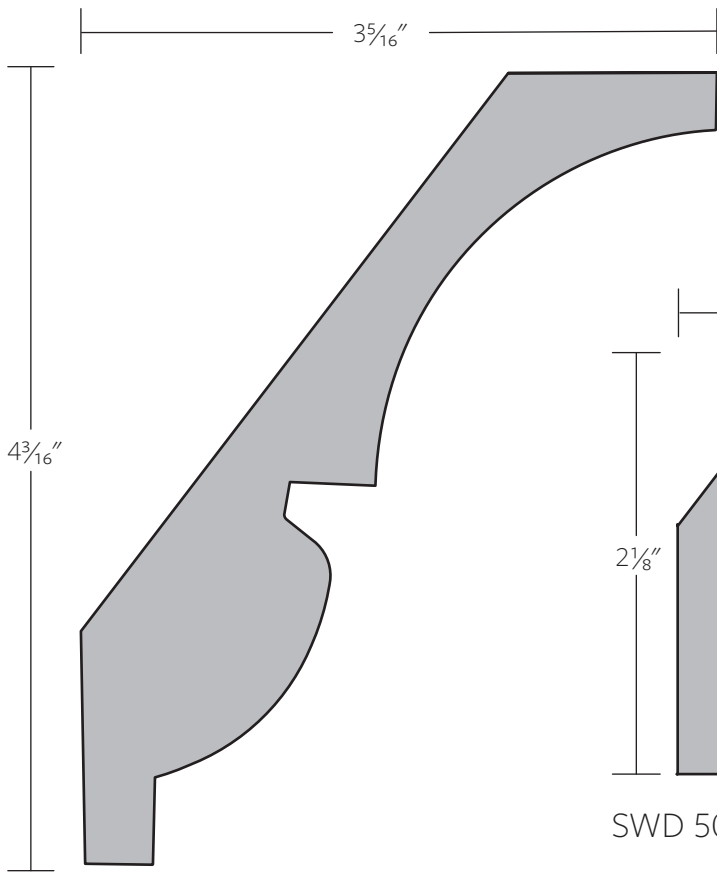
SWD 502 | $\frac{7}{8}'' \times 3\frac{1}{2}''$ | 45/45



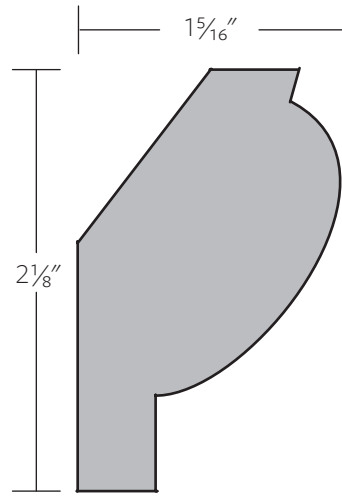
SWD 504 | $\frac{7}{8}'' \times 3\frac{3}{4}''$ | 19/71



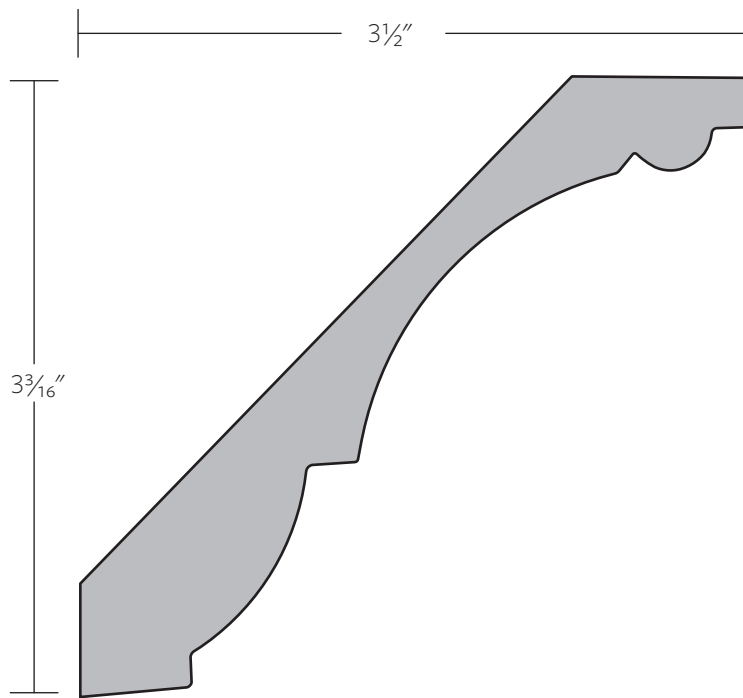
SWD 503 | $\frac{5}{8}'' \times 3\frac{1}{2}''$ | 45/45



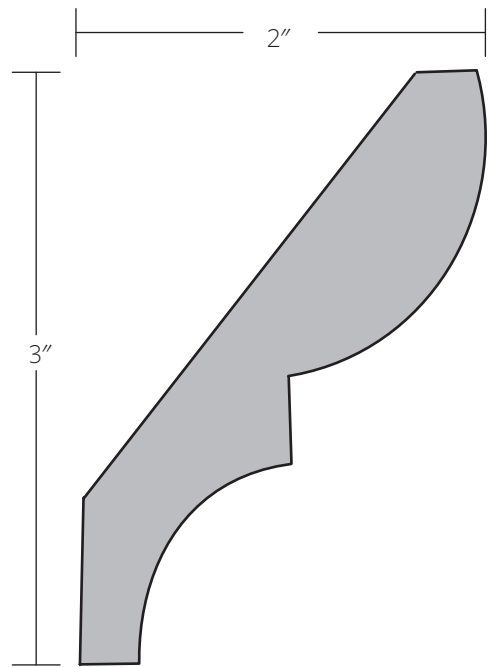
SWD 505 | 1 1/16" x 5 5/16" | 38/52



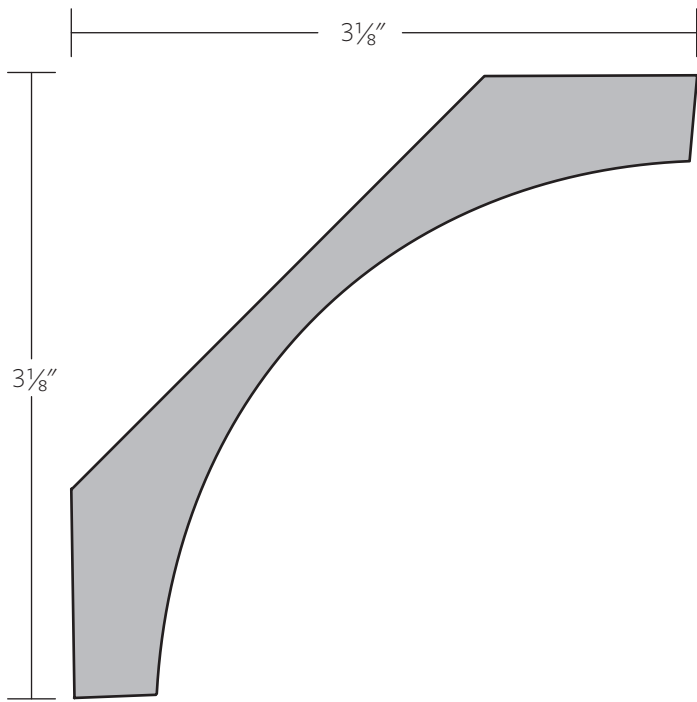
SWD 505-B | 1 1/16" x 2 1/4" | 38/52



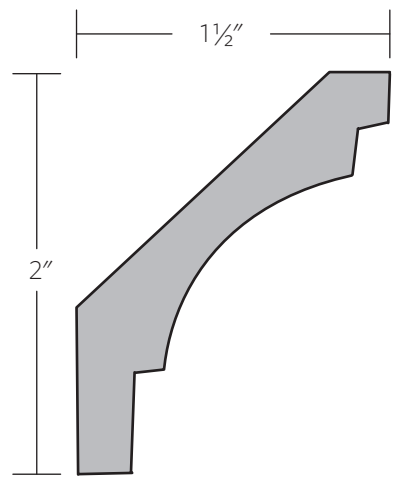
SWD 506 | 1 3/16" x 4 5/8" | 45/45



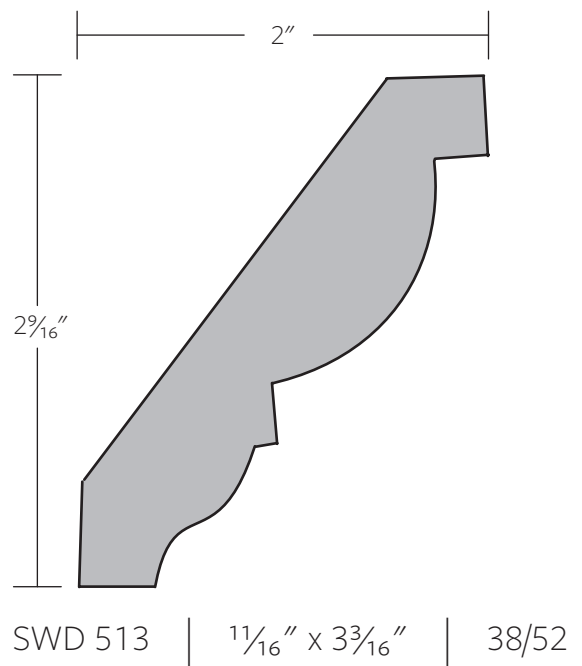
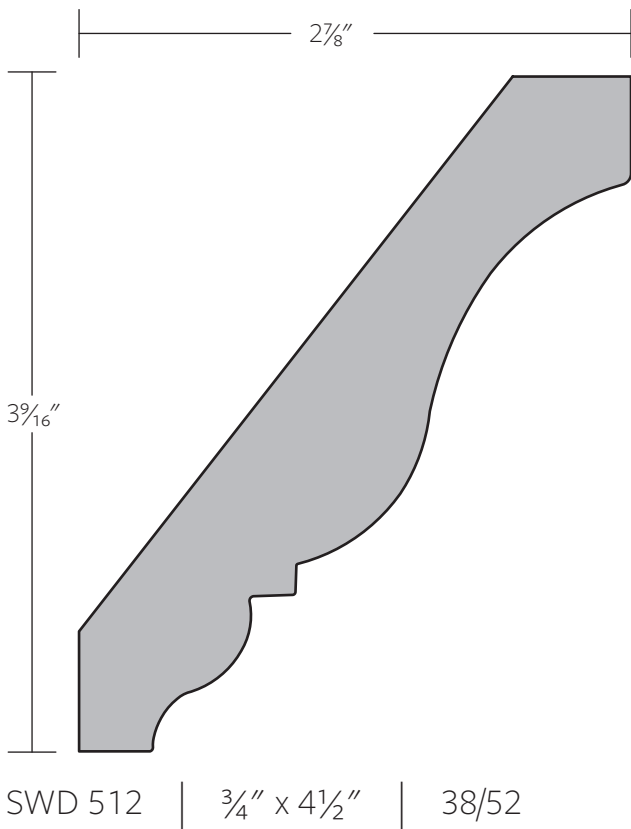
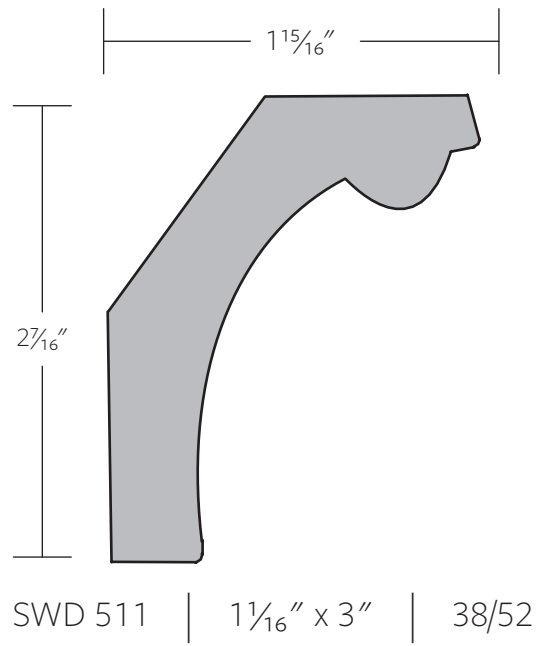
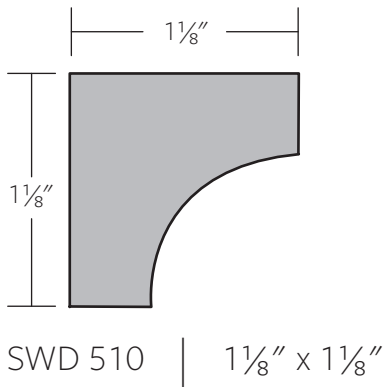
SWD 507 | $\frac{3}{4}'' \times 3\frac{1}{2}''$ | 38/52

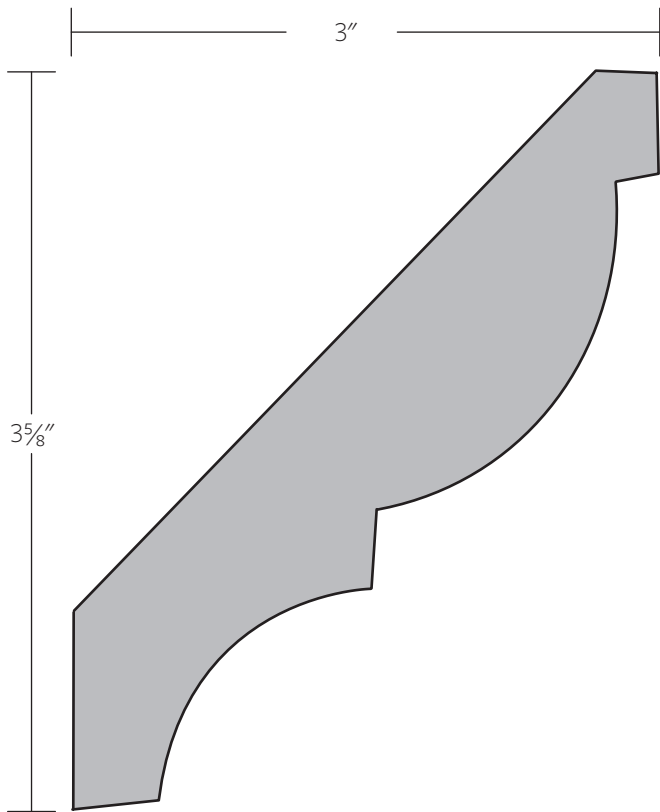


SWD 508 | $1'' \times 4\frac{3}{8}''$ | 45/45

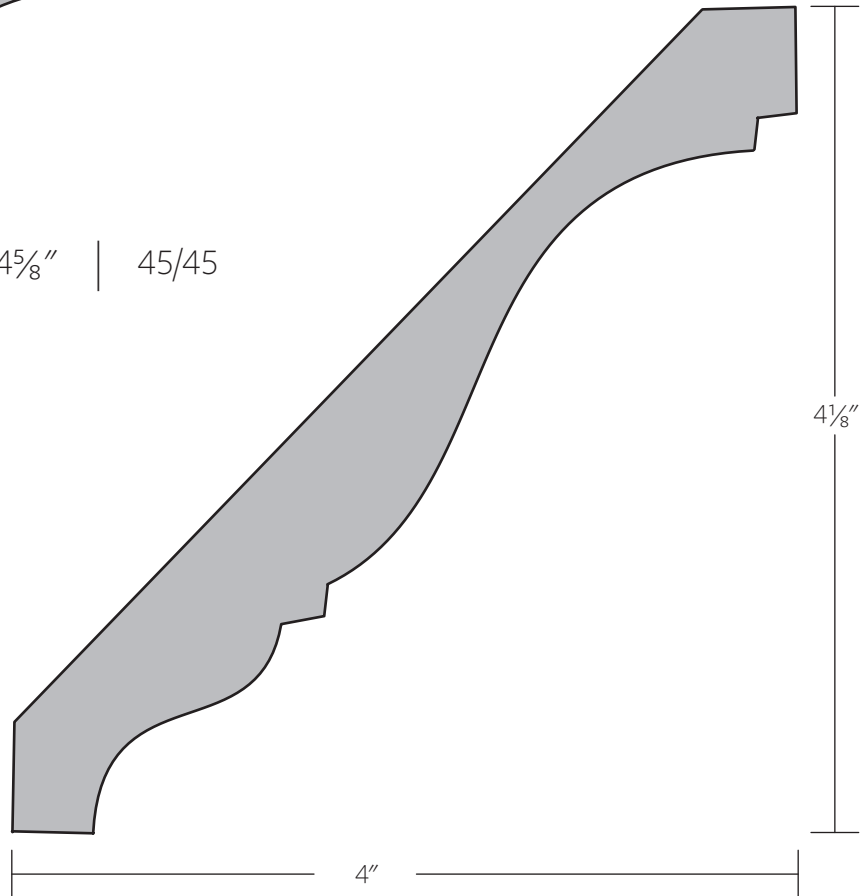


SWD 509 | $\frac{3}{4}'' \times 2\frac{1}{2}''$ | 45/45

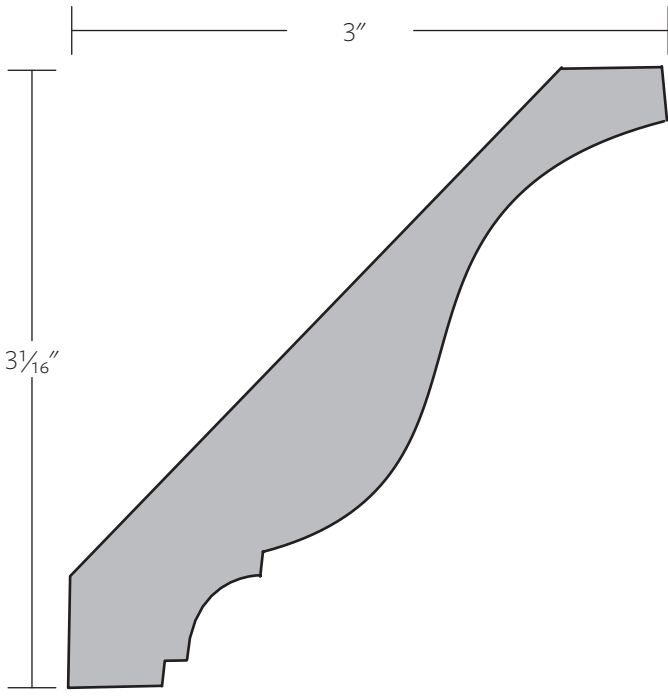




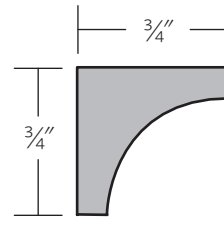
SWD 514 | 1" x 4 5/8" | 45/45



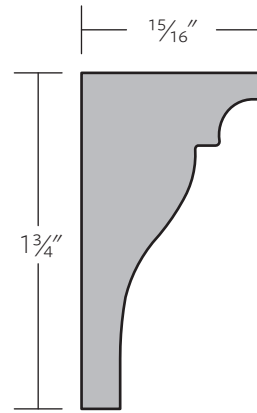
SWD 515 | 3/4" x 5 5/8" | 45/45



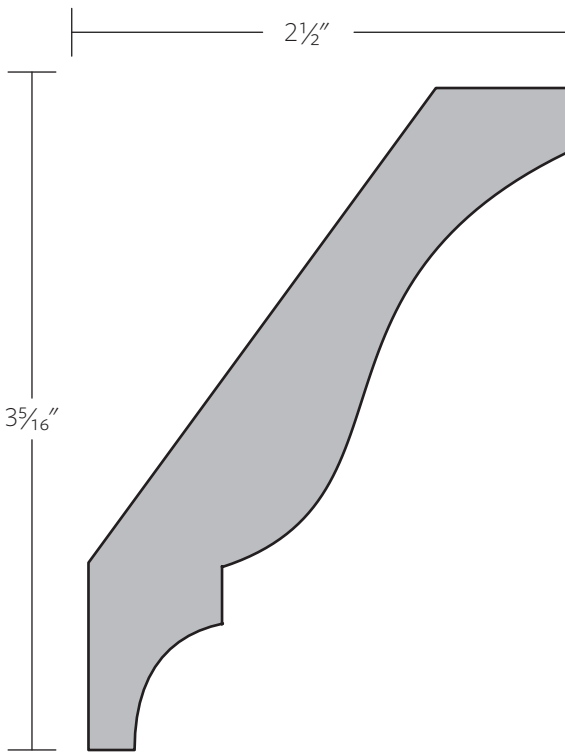
SWD 516 | $3\frac{1}{16}'' \times 4\frac{1}{4}''$ | 45/45



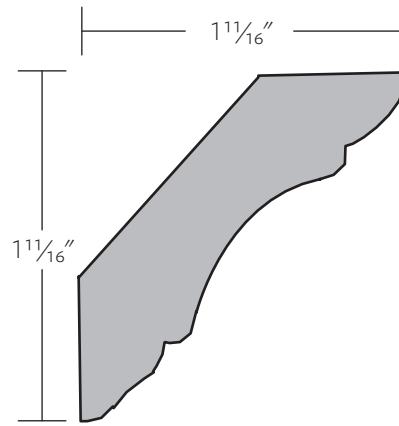
SWD 517 | $\frac{3}{4}'' \times \frac{3}{4}''$



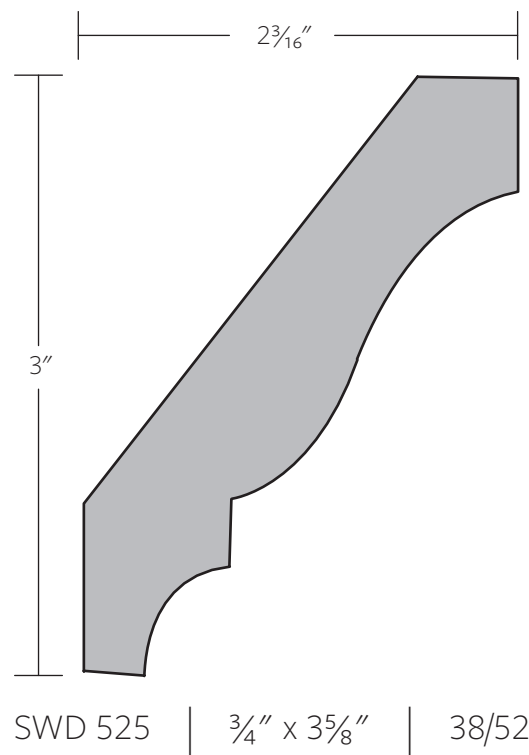
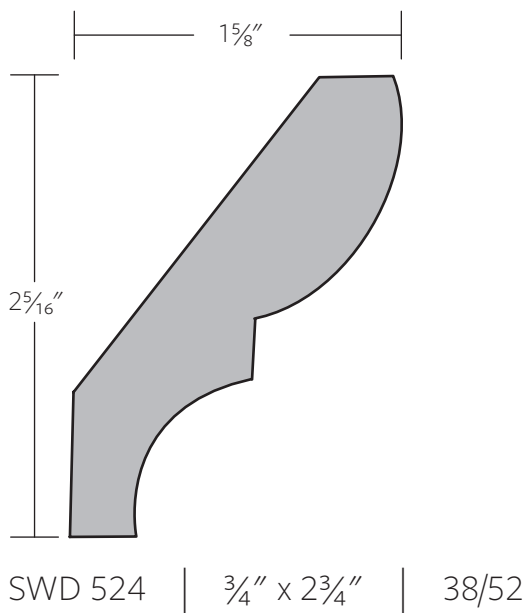
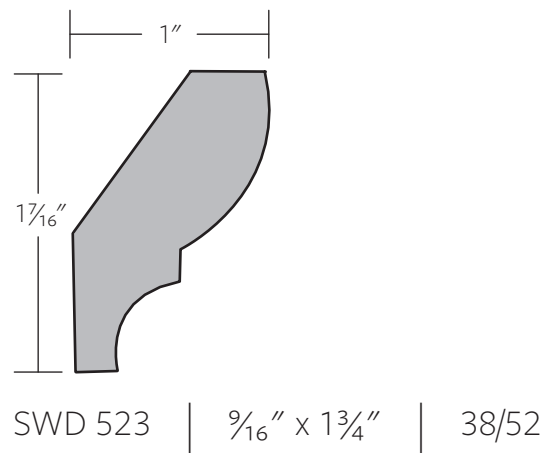
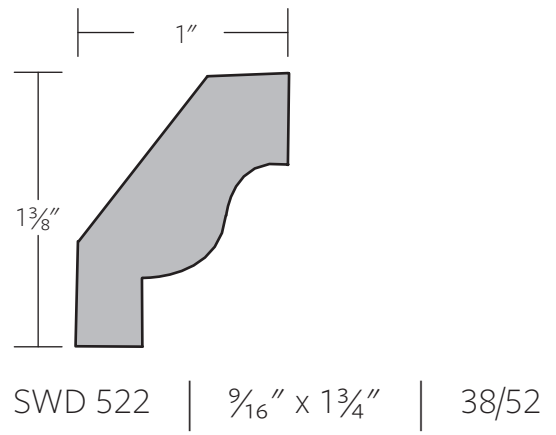
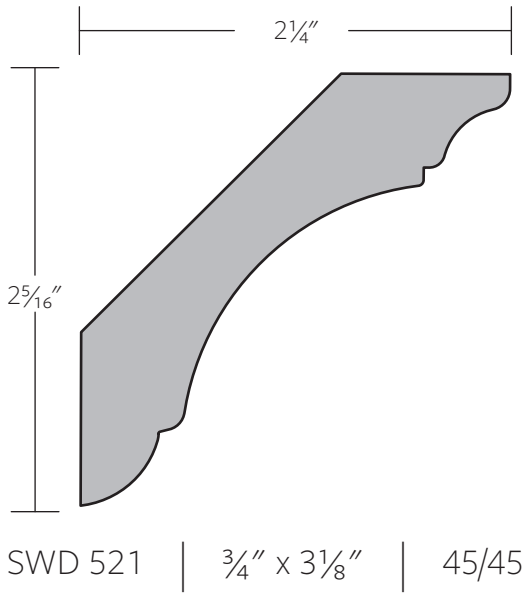
SWD 518 | $1\frac{5}{16}'' \times 1\frac{3}{4}''$

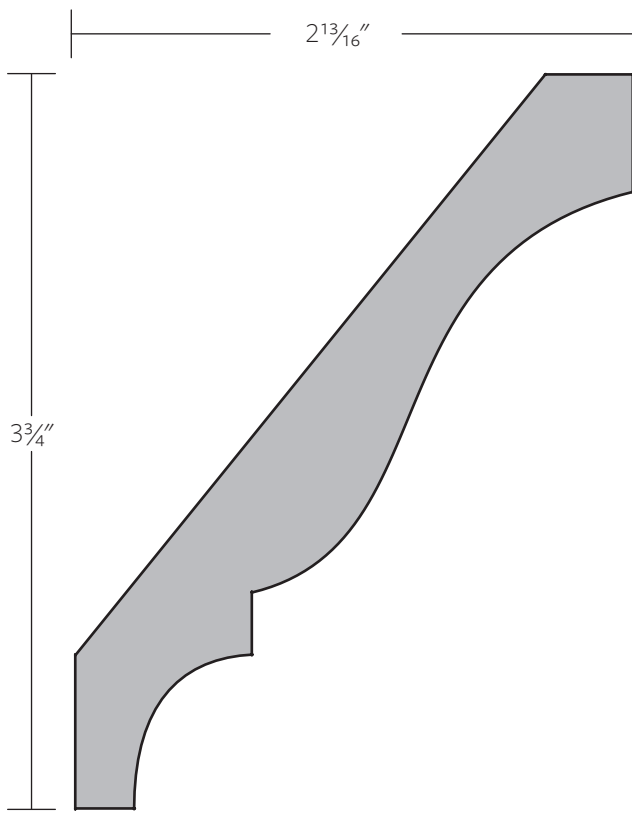


SWD 519 | $\frac{3}{4}'' \times 4\frac{1}{8}''$ | 38/52

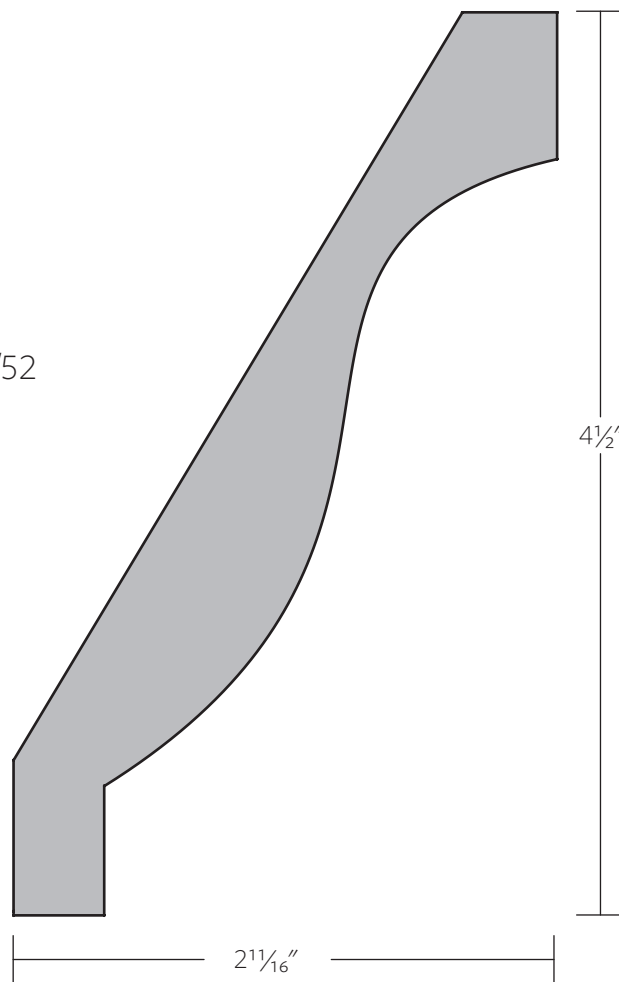


SWD 520 | $\frac{3}{4}'' \times 2\frac{3}{8}''$ | 45/45

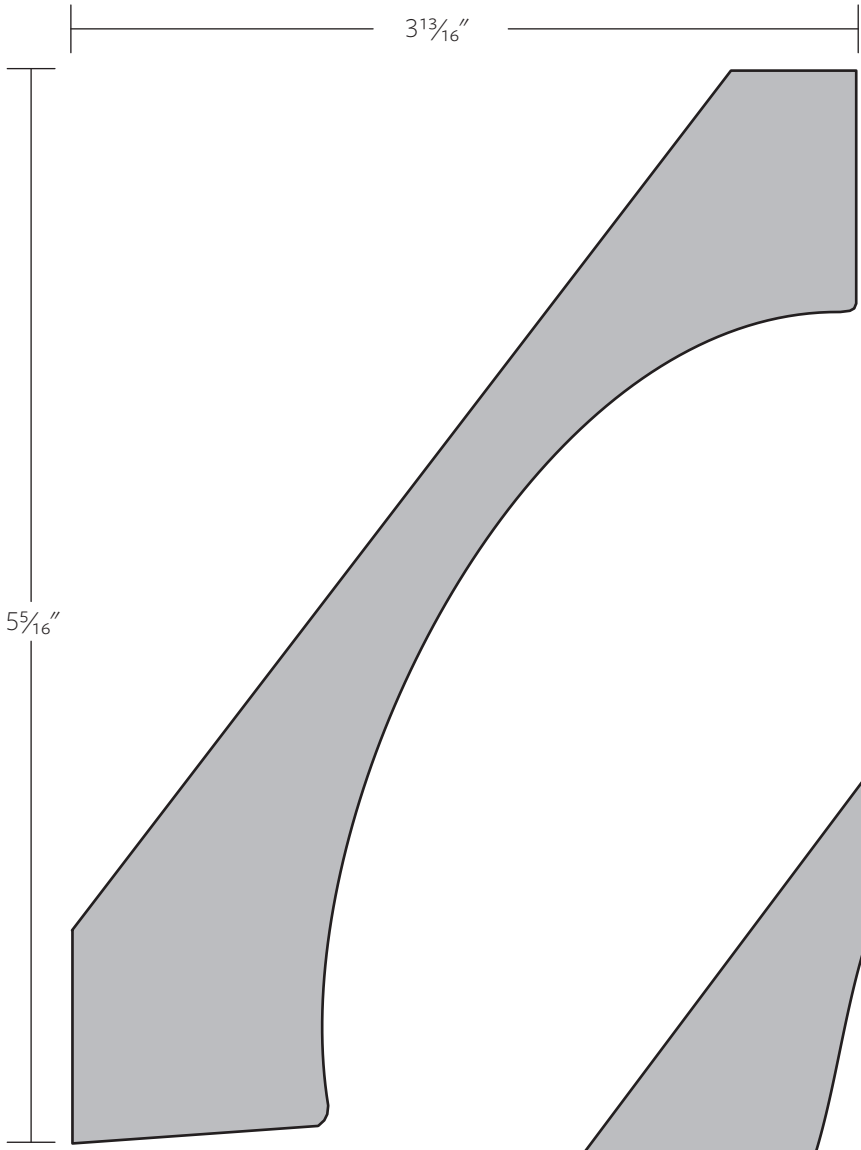




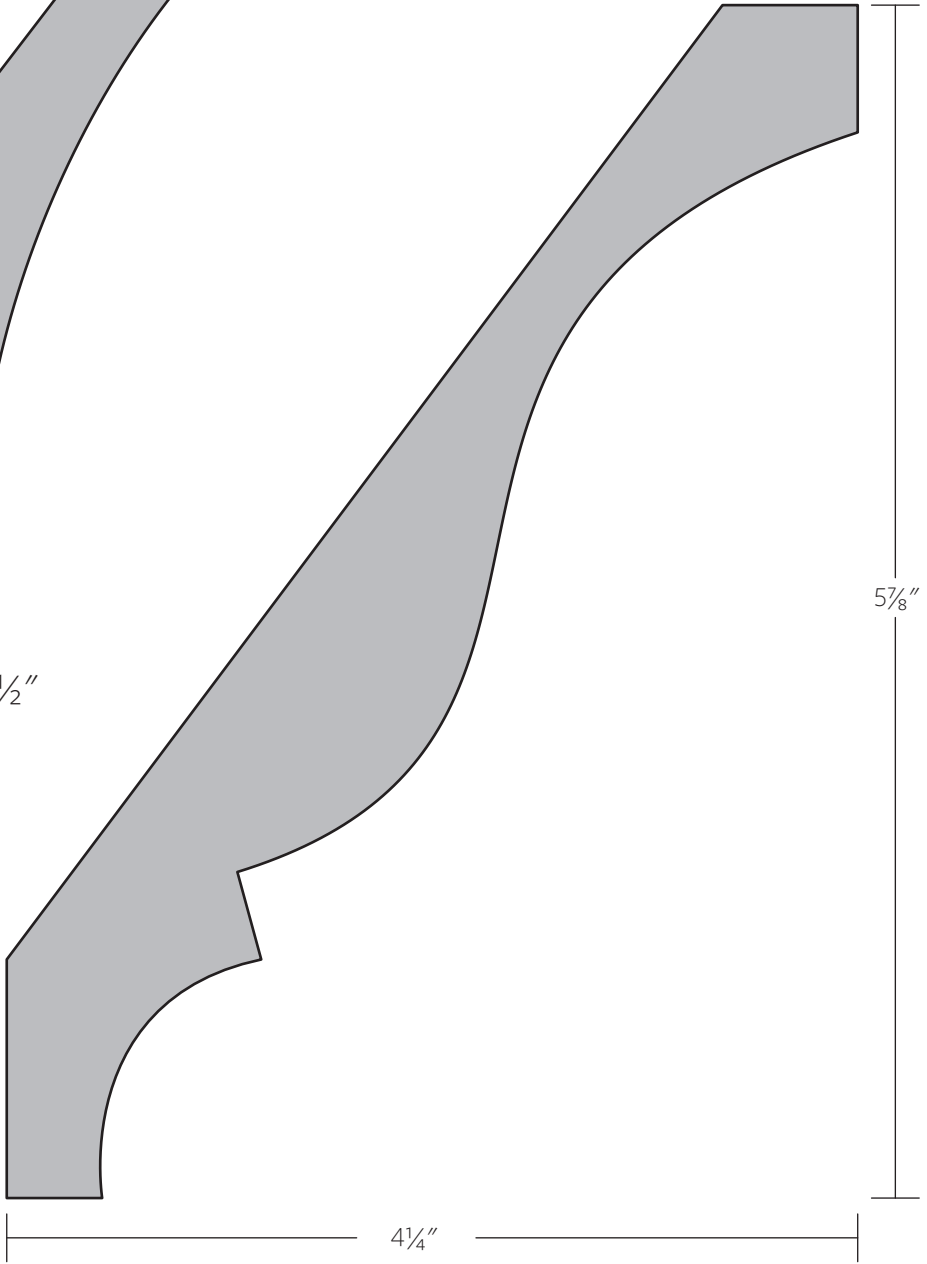
SWD 526 | $\frac{3}{4}'' \times 4\frac{5}{8}''$ | 38/52



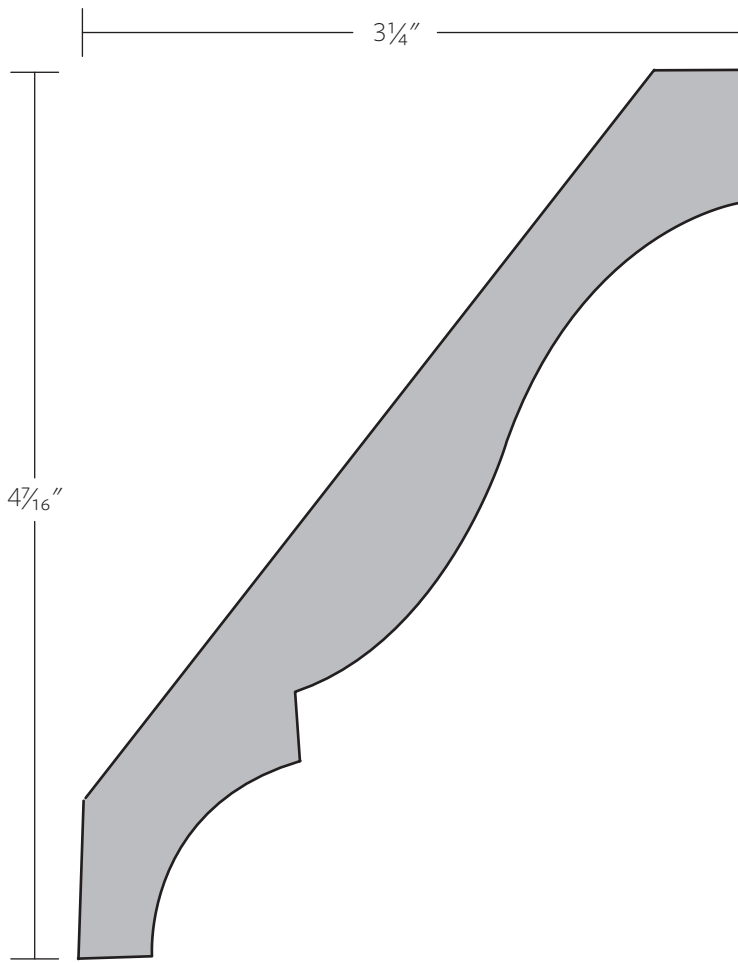
SWD 527 | $\frac{3}{4}'' \times 5\frac{1}{4}''$ | 30/60



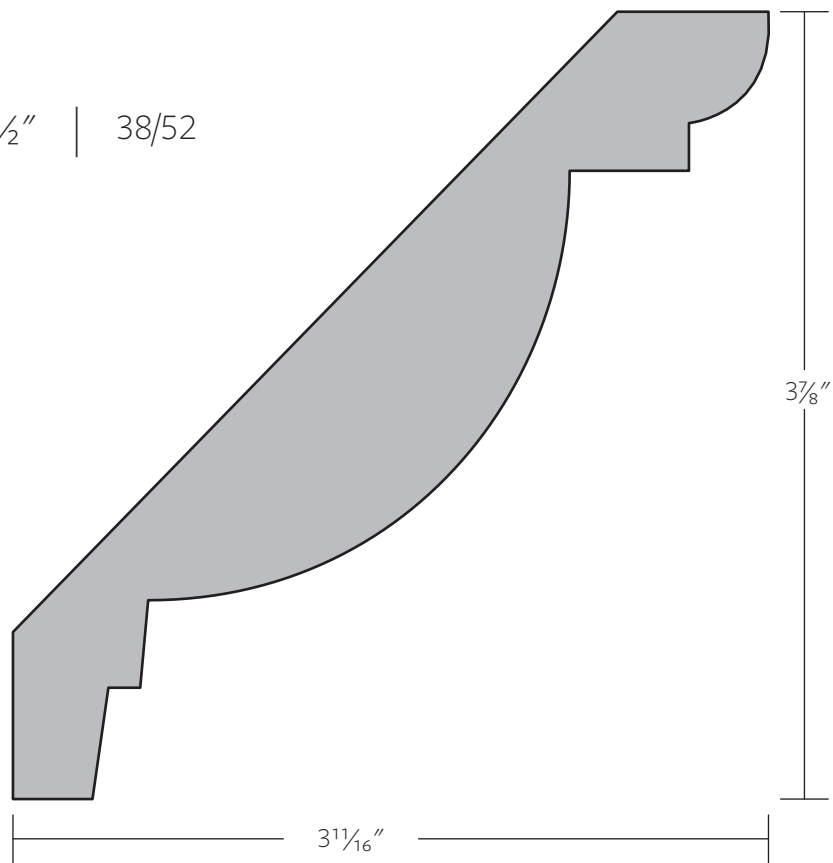
SWD 528 | 1 5/8" x 6 1/2"
38/52



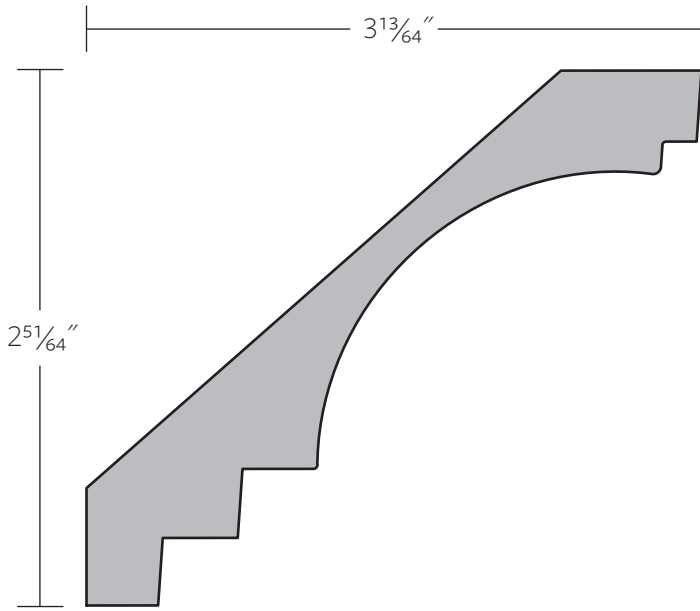
SWD 529 | 1" x 7 1/4" | 38/52



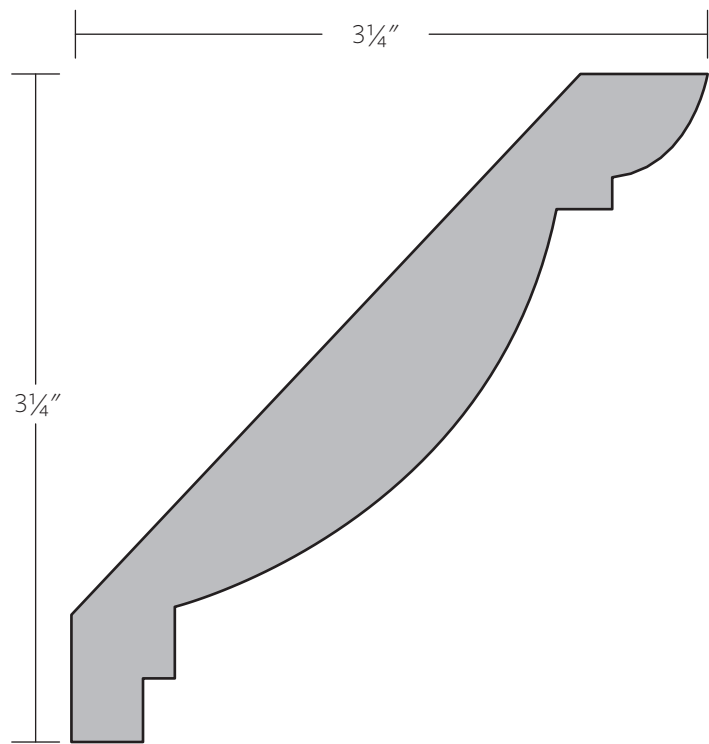
SWD 530 | $\frac{3}{4}$ " x $5\frac{1}{2}$ " | 38/52



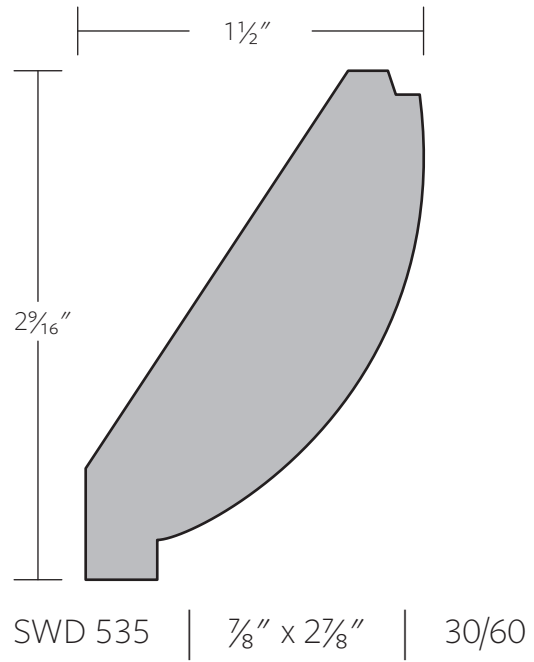
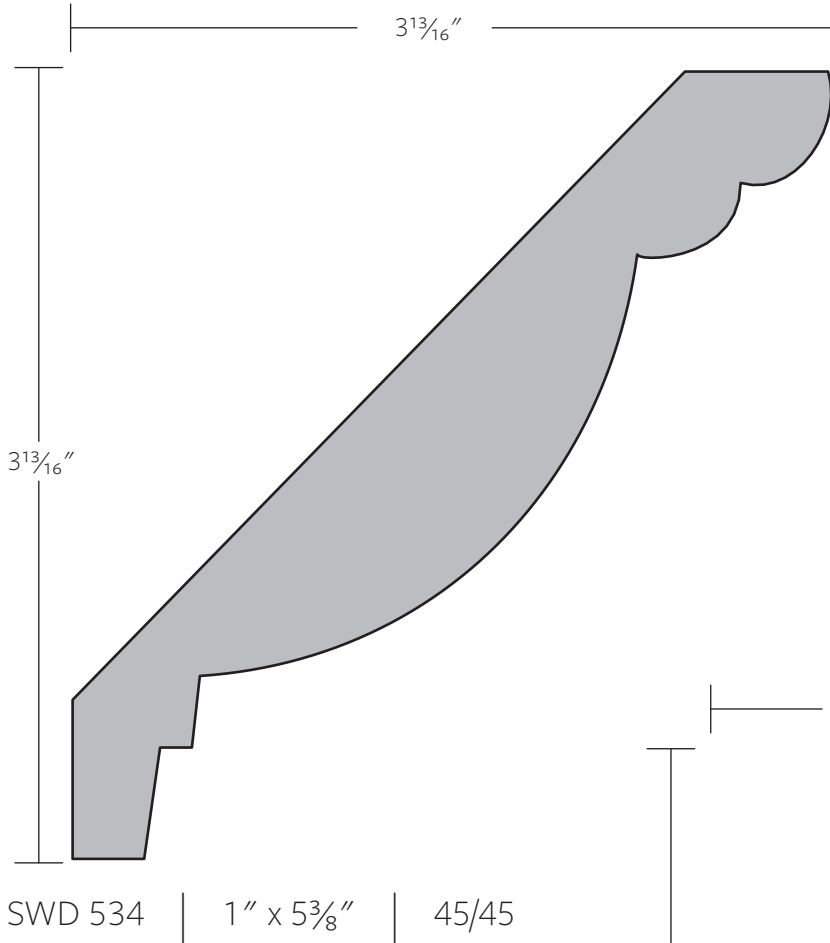
SWD 531 | 1" x $5\frac{3}{8}$ " | 45/45

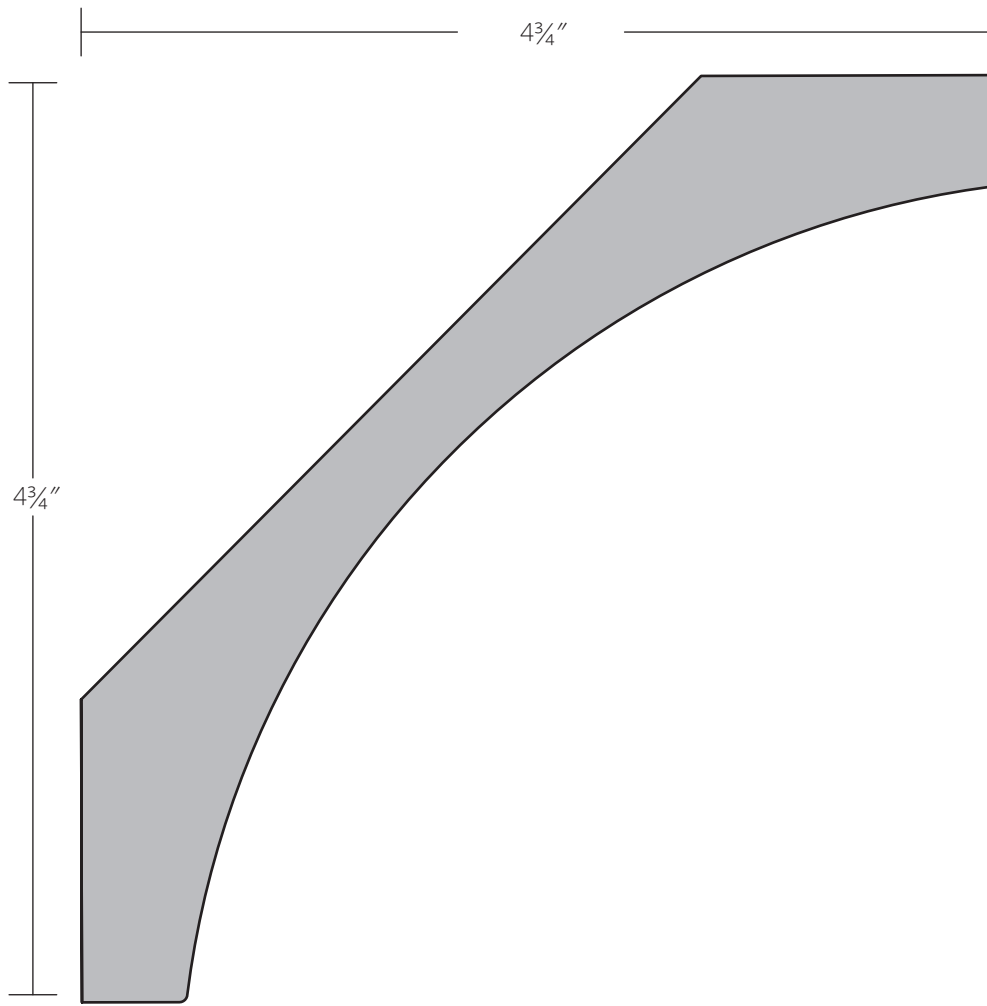


SWD 532 | $\frac{3}{4}$ " x $4\frac{1}{4}$ " | 45/45

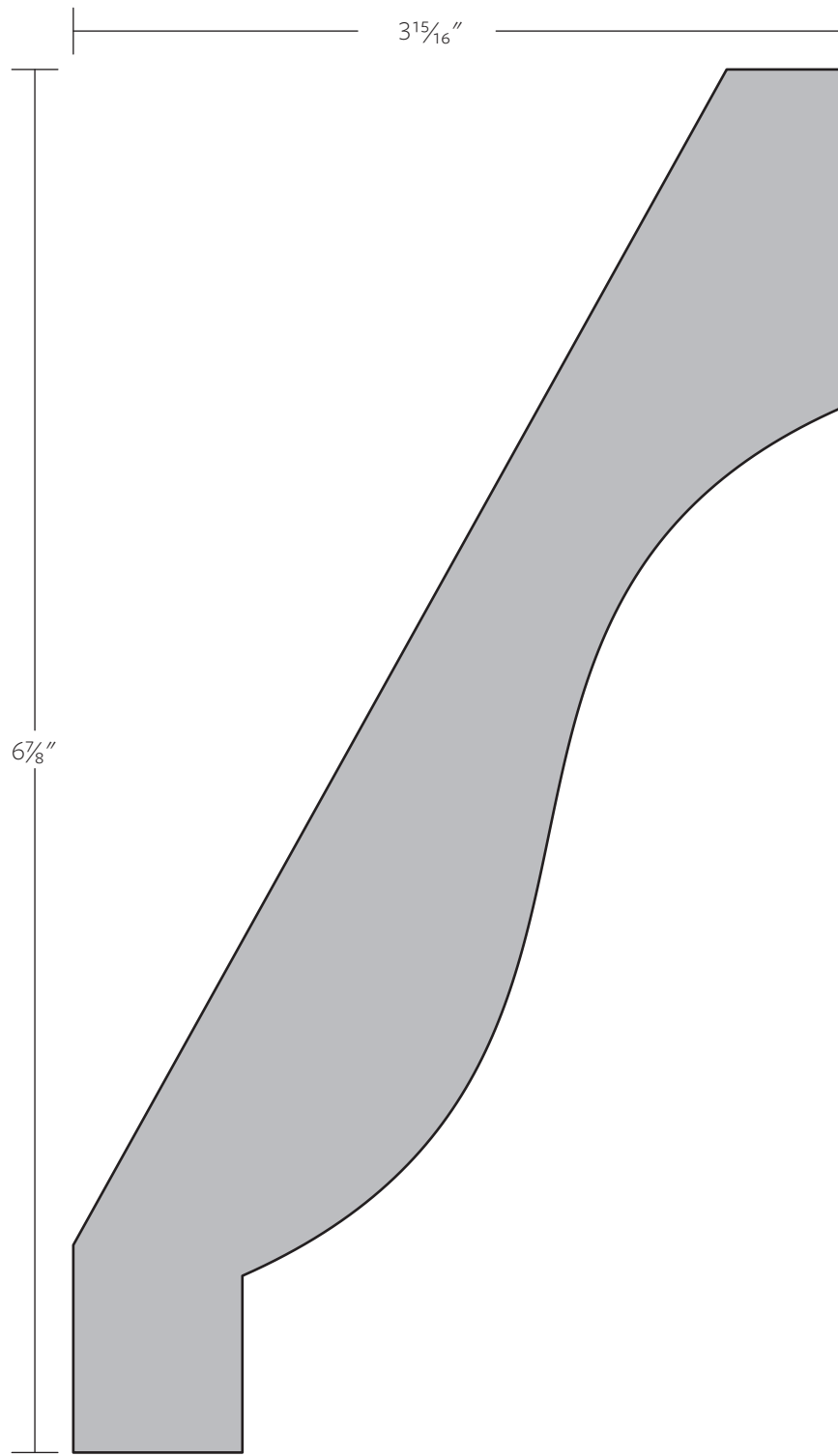


SWD 533 | $\frac{3}{4}$ " x $4\frac{1}{2}$ " | 45/45

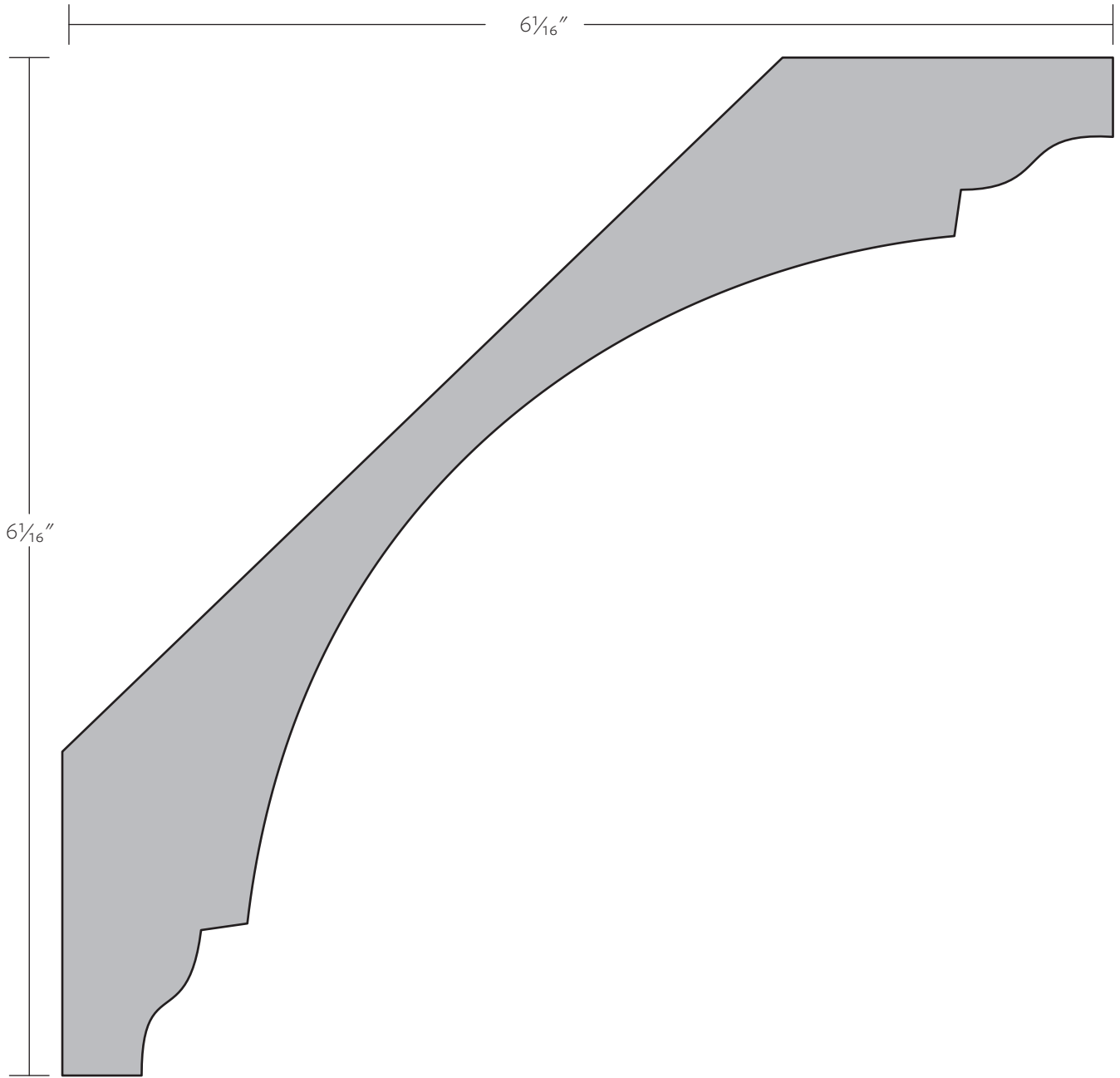




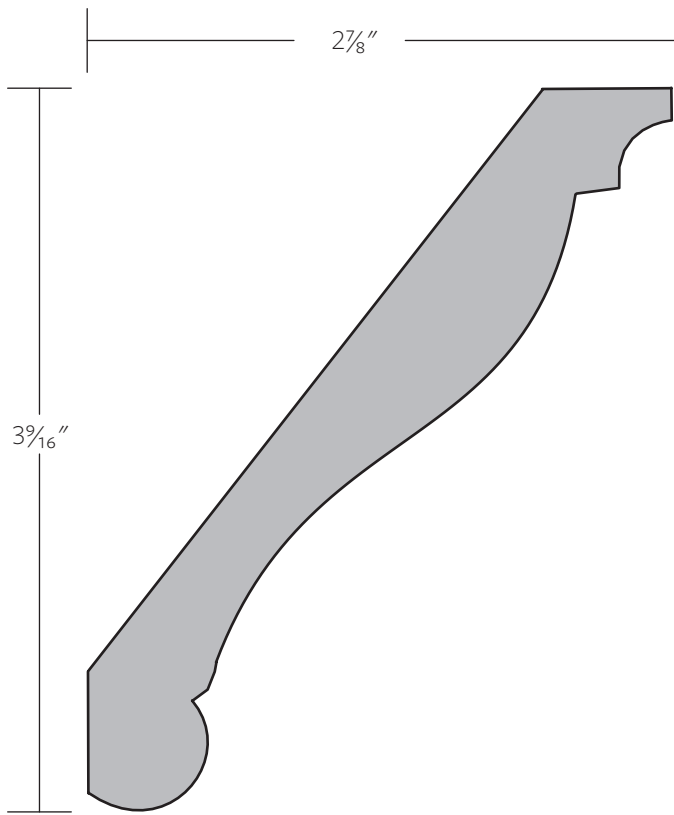
SWD 536 | $1\frac{5}{8}$ " x $6\frac{5}{8}$ " | 45/45



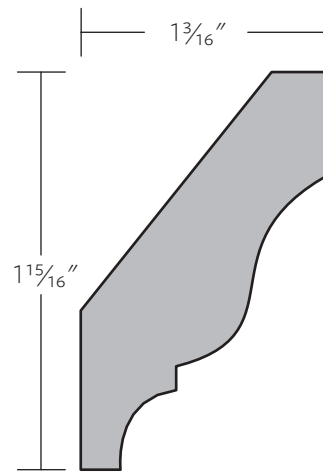
SWD 537 | $1\frac{3}{8}$ " x 8" | 30/60



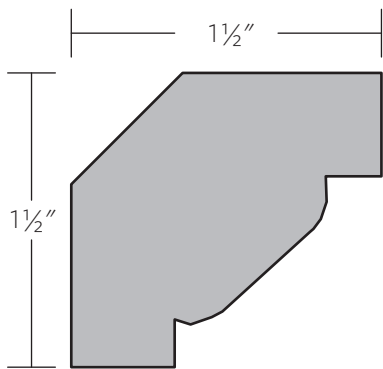
SWD 538 | $1\frac{5}{8}$ " x $8\frac{5}{8}$ " | 45/45



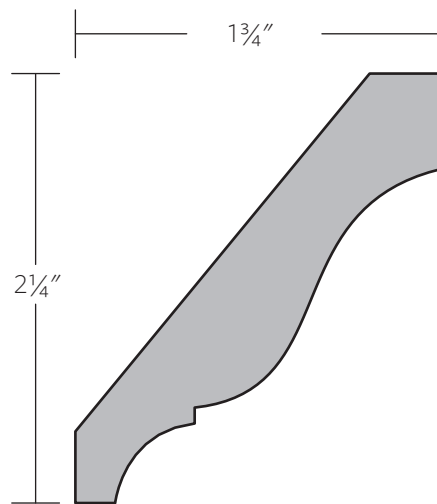
SWD 539 | $\frac{3}{4}$ " x $4\frac{1}{2}$ " | 38/52



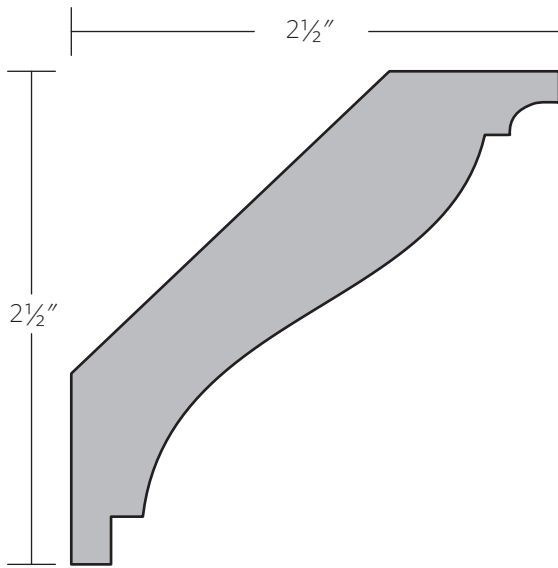
SWD 540 | $\frac{3}{4}$ " x $2\frac{1}{4}$ " | 38/52



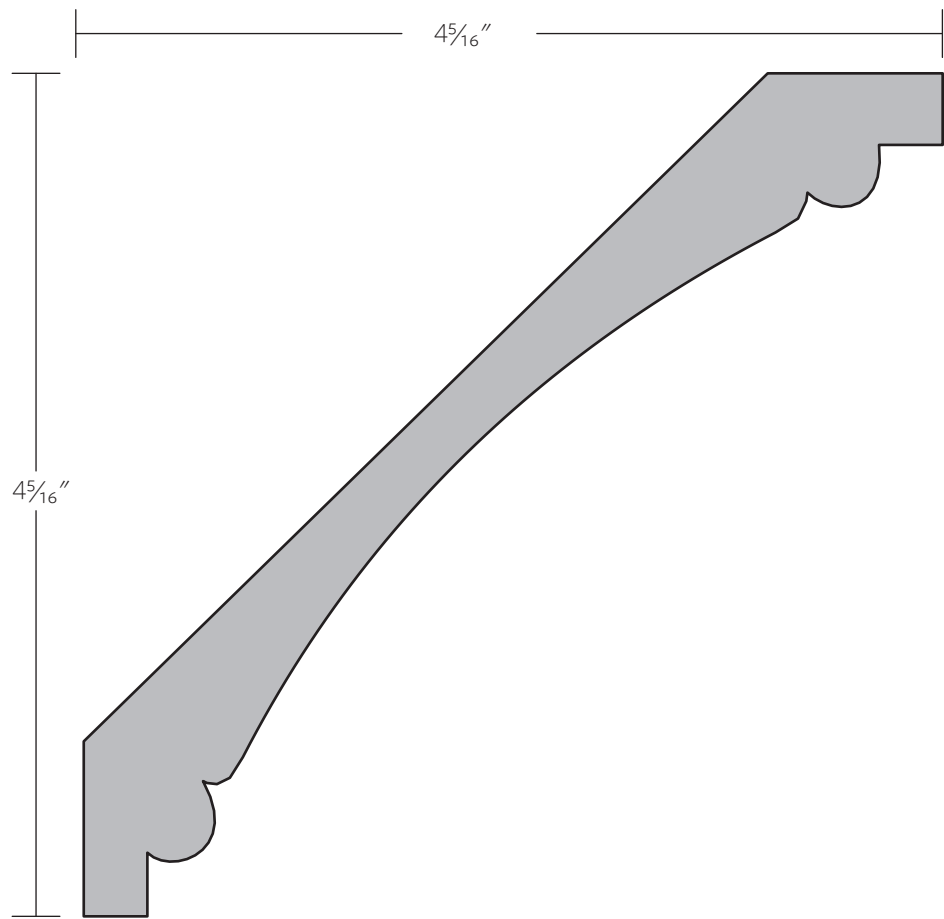
SWD 541 | $1\frac{1}{16}$ " x $2\frac{3}{16}$ " | 45/45



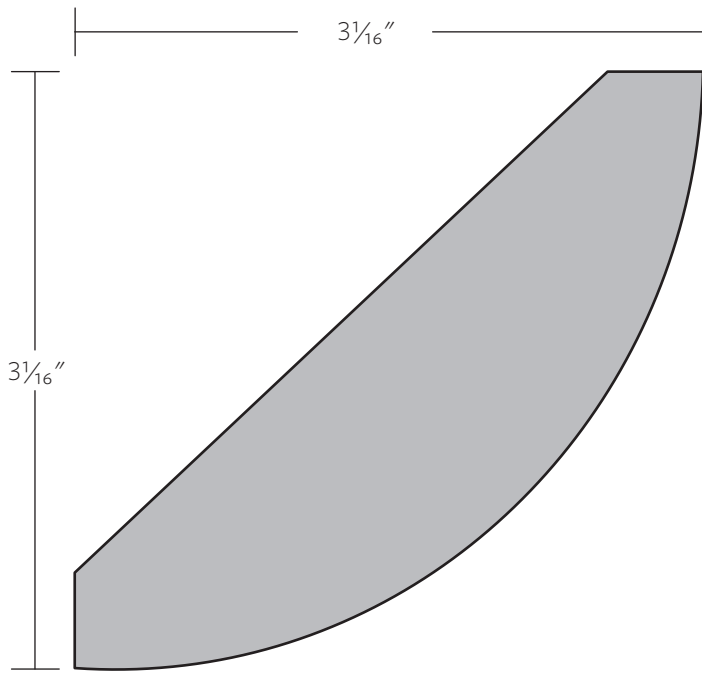
SWD 542 | $\frac{9}{16}$ " x $2\frac{3}{4}$ " | 38/52



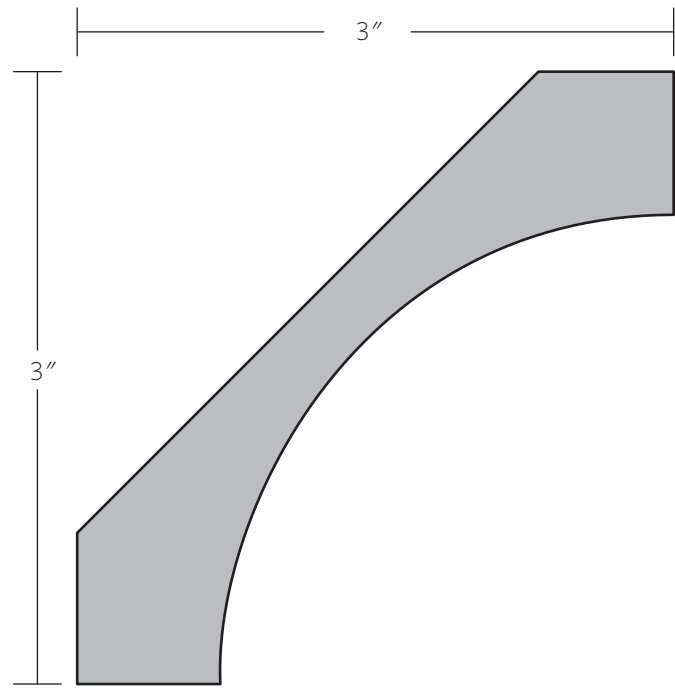
SWD 543 | $\frac{3}{4}'' \times 3\frac{1}{2}''$ | 45/45



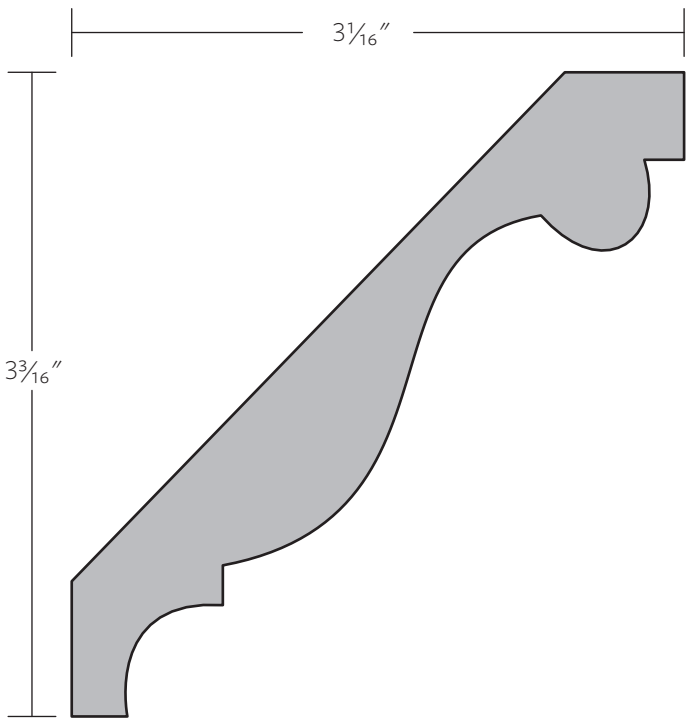
SWD 544 | $\frac{7}{8}'' \times 6''$ | 45/45



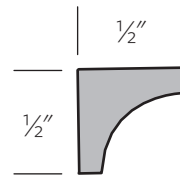
SWD 545 | $1\frac{1}{4}" \times 4\frac{1}{4}"$ | 45/45



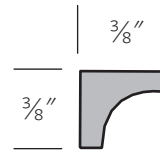
SWD 546 | $1" \times 4\frac{1}{4}"$ | 45/45



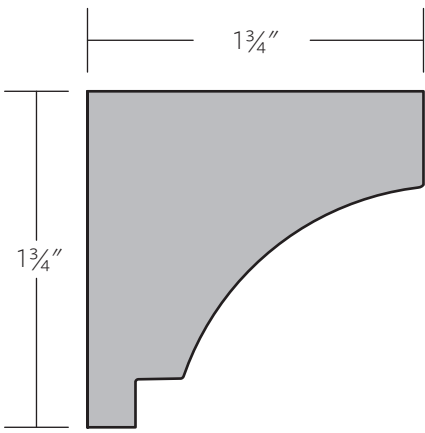
SWD 547 | 3/4" x 4 3/8" | 45/45



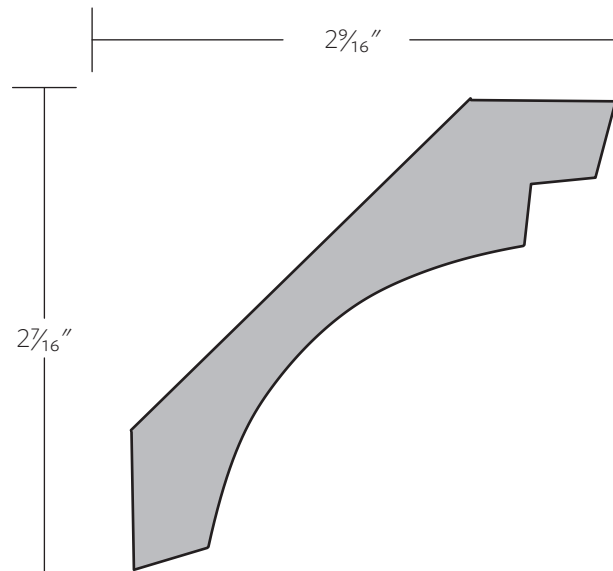
SWD 548 | 1/2" x 1/2"



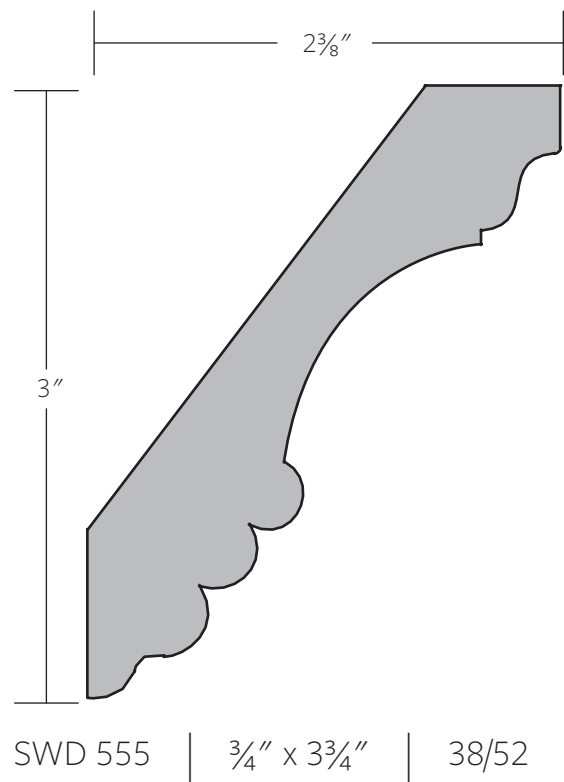
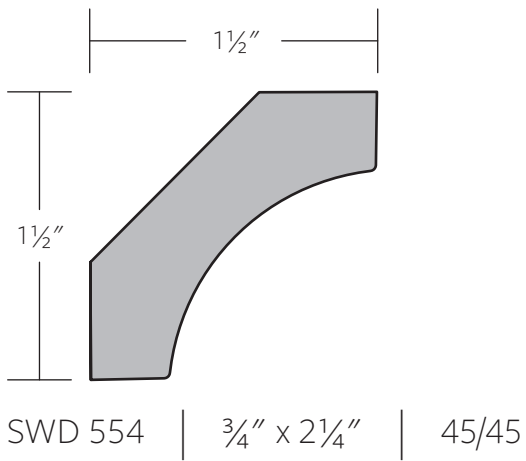
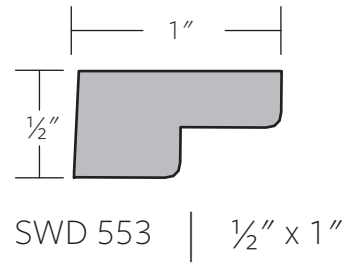
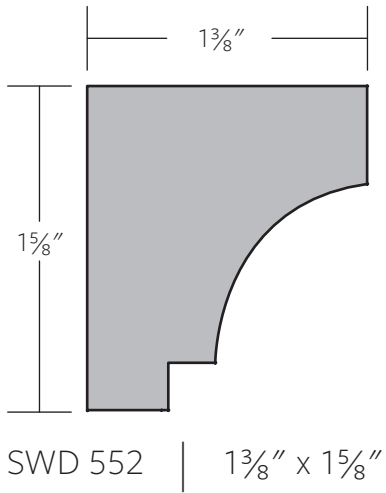
SWD 549 | 3/8" x 3/8"

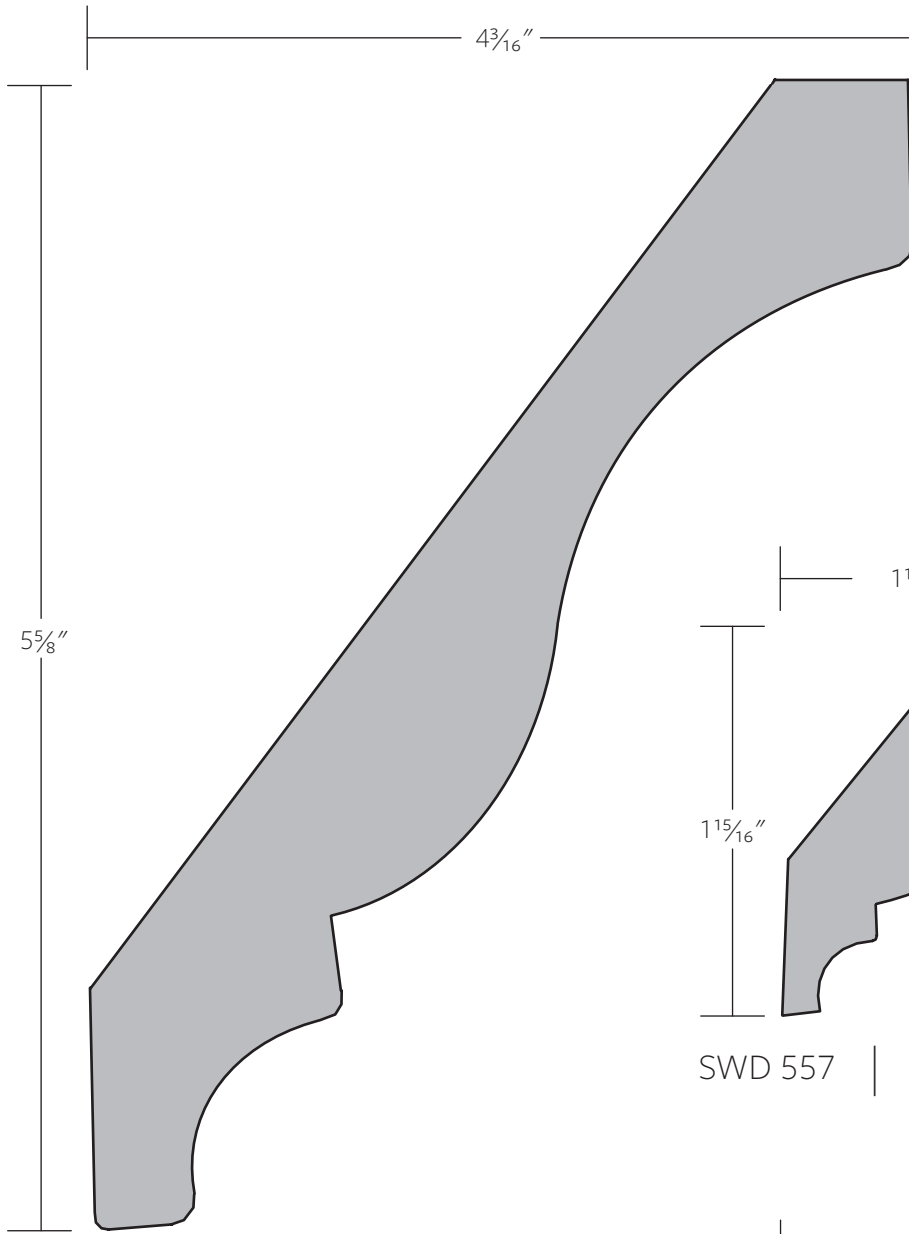


SWD 550 | 1 3/4" x 1 3/4"

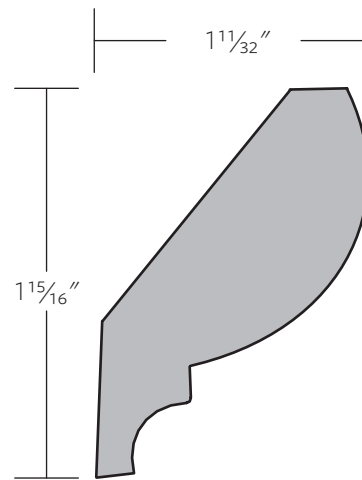


SWD 551 | 3/4" x 3 9/16" | 45/45

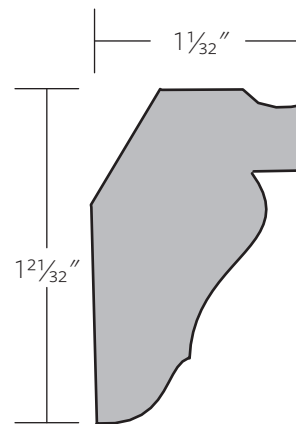




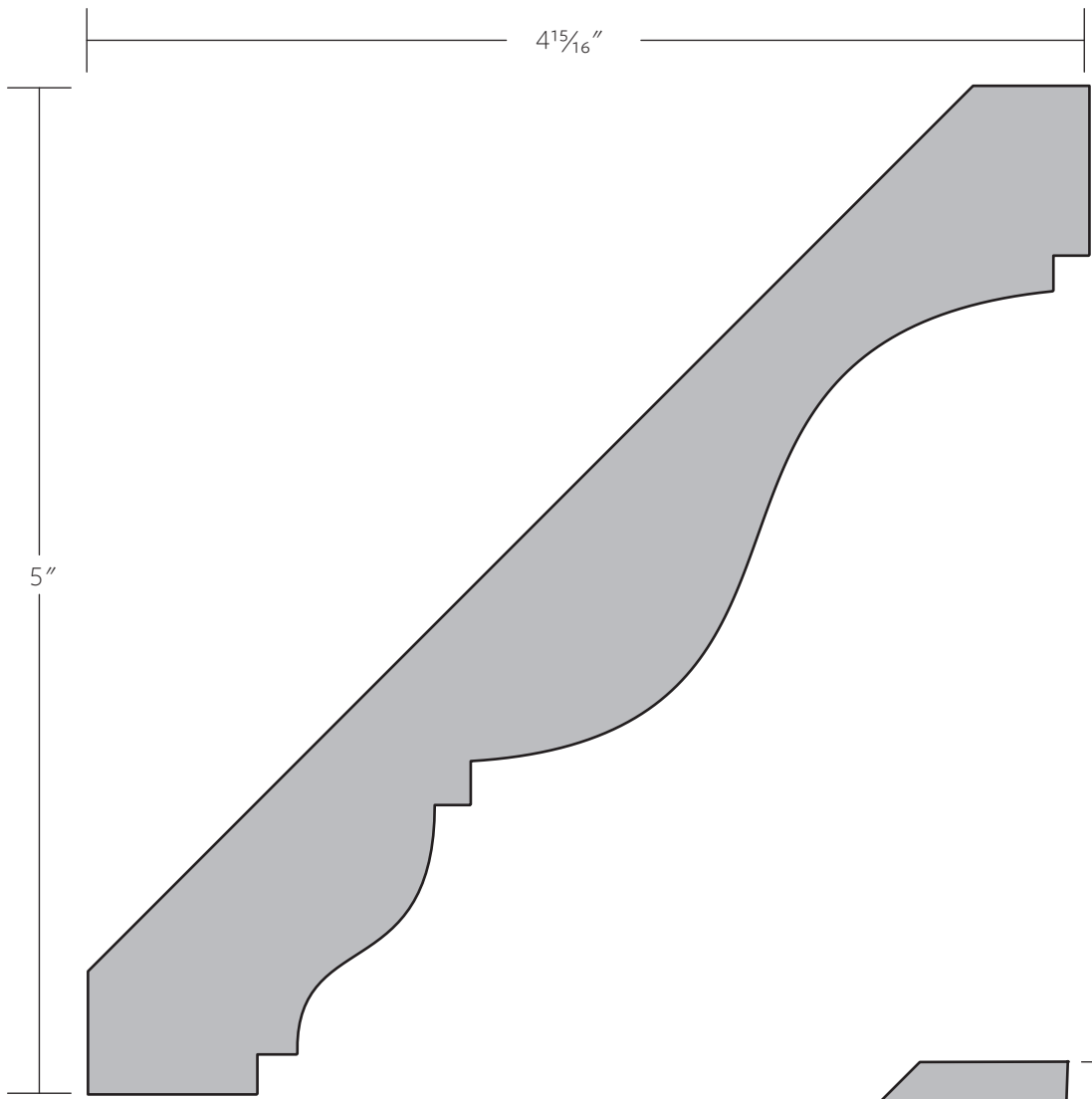
SWD 556 | $1\frac{1}{16}'' \times 7''$ | 38/52



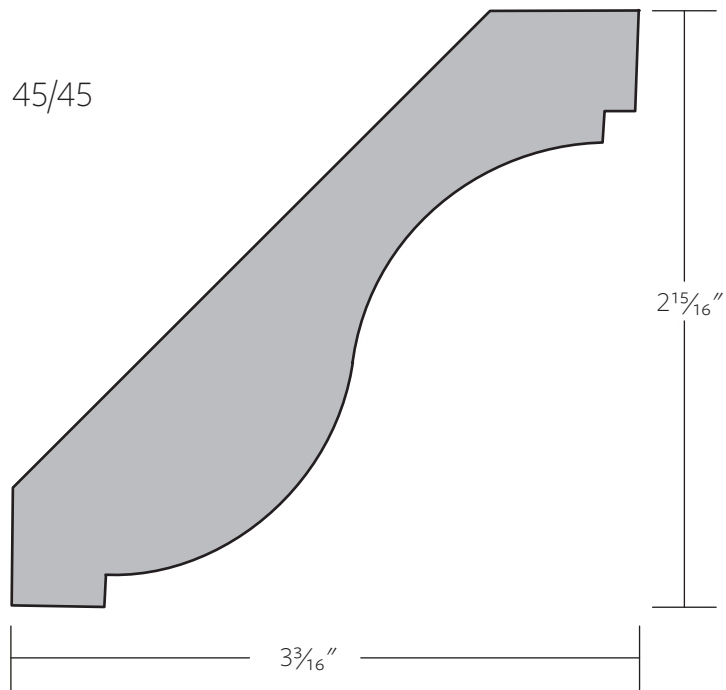
SWD 557 | $\frac{3}{4}'' \times 2\frac{5}{16}''$ | 38/52



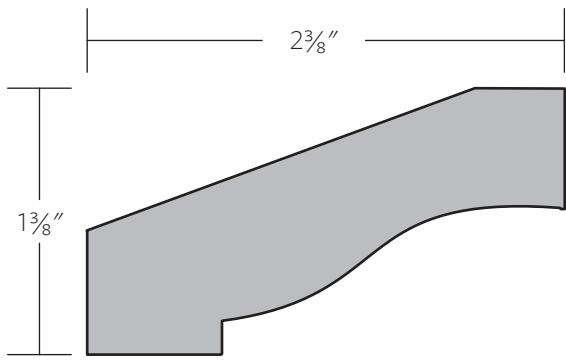
SWD 558 | $1\frac{3}{16}'' \times 1\frac{7}{8}''$ | 30/60



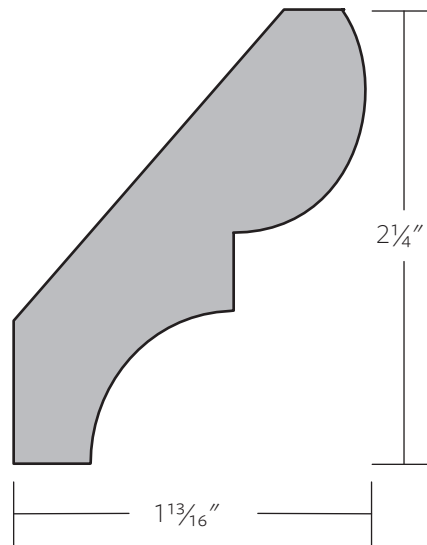
SWD 559 | $1\frac{1}{16}'' \times 7''$ | 45/45



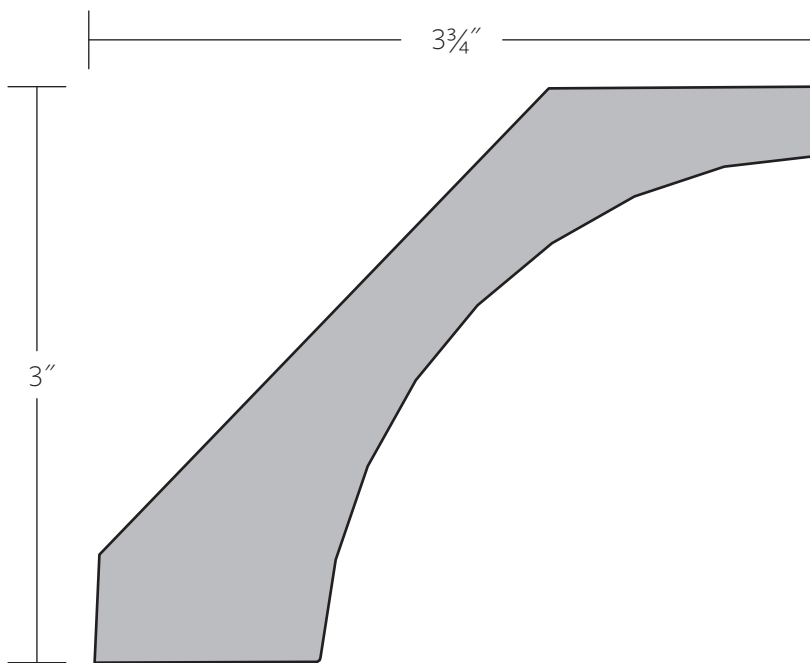
SWD 560 | $1'' \times 4\frac{5}{16}''$ | 45/45



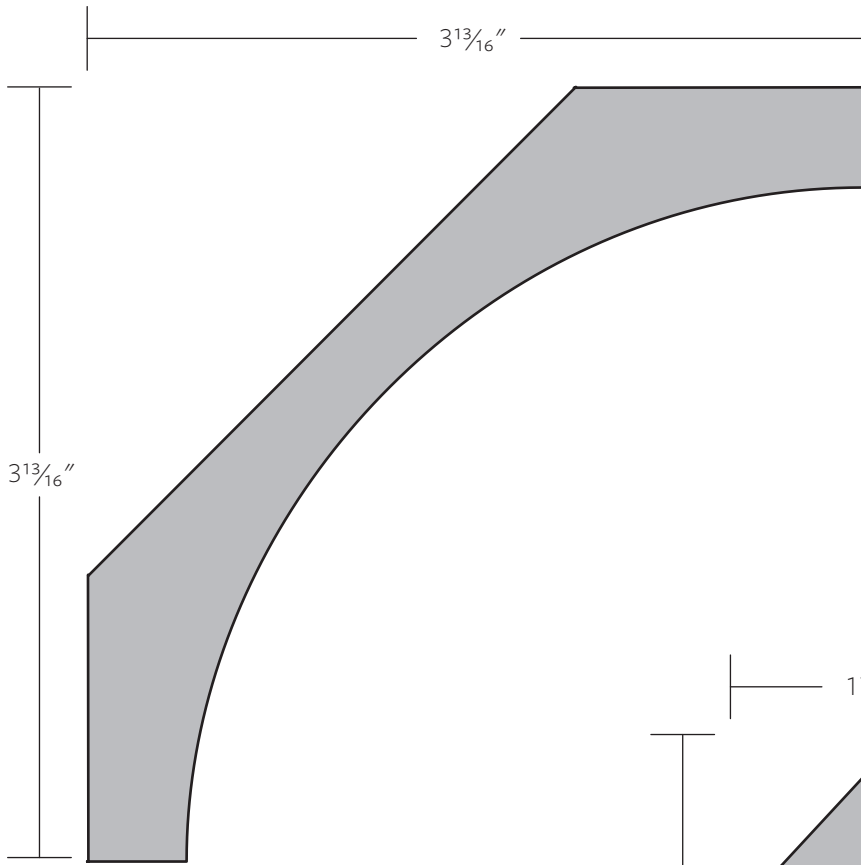
SWD 561 | $1\frac{3}{16}'' \times 2\frac{23}{32}''$ | 71/19



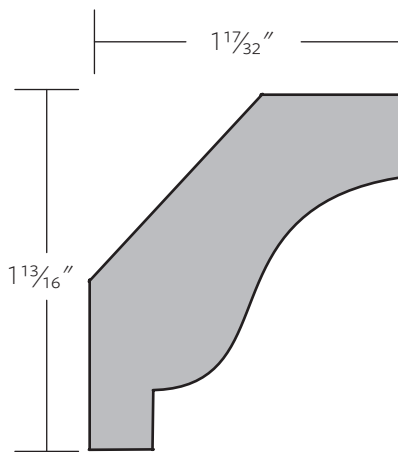
SWD 562 | $\frac{3}{4}'' \times 2\frac{13}{16}''$ | 45/45



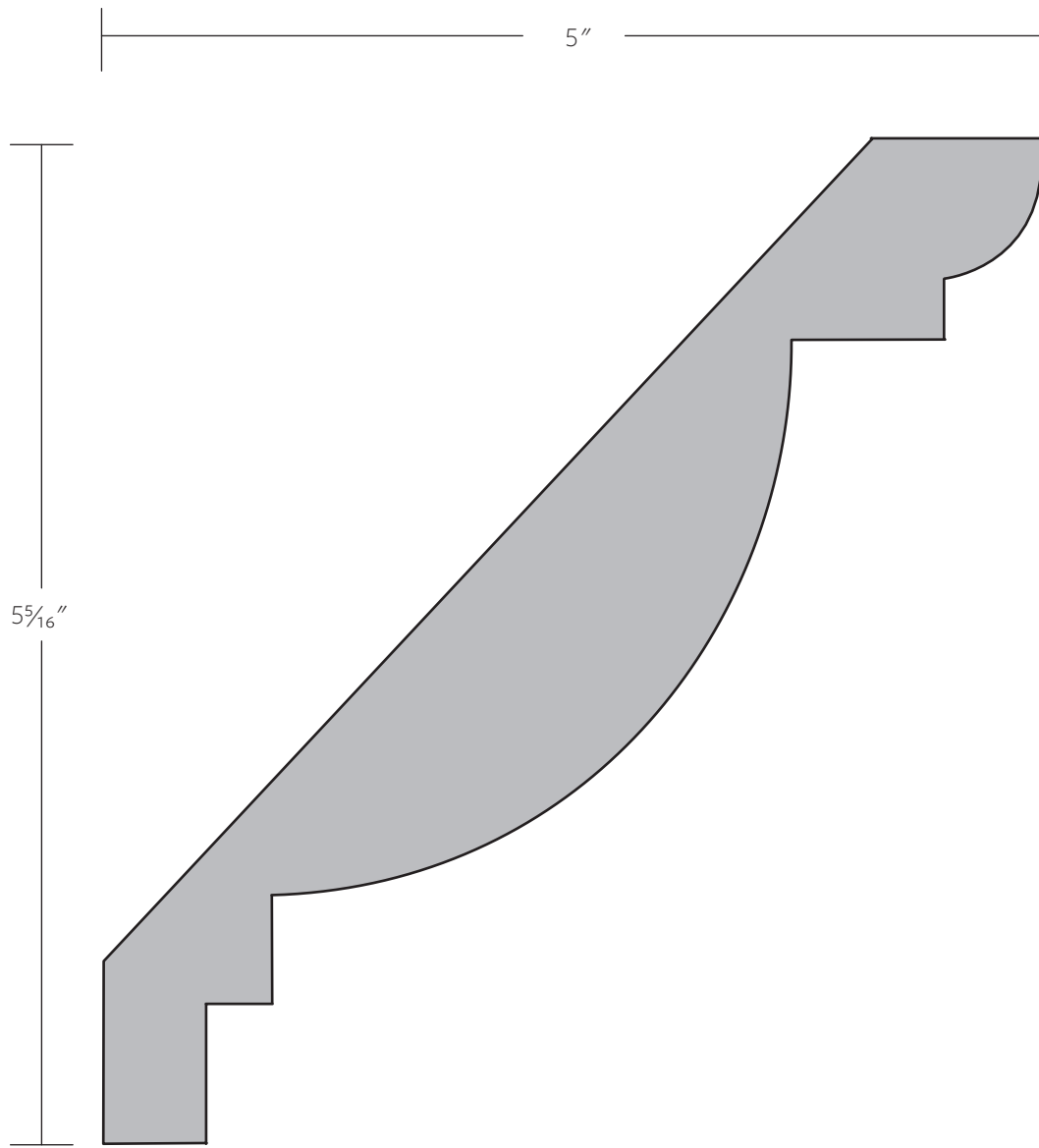
SWD 563 | $1\frac{1}{4}'' \times 4\frac{7}{8}''$ | 45/45



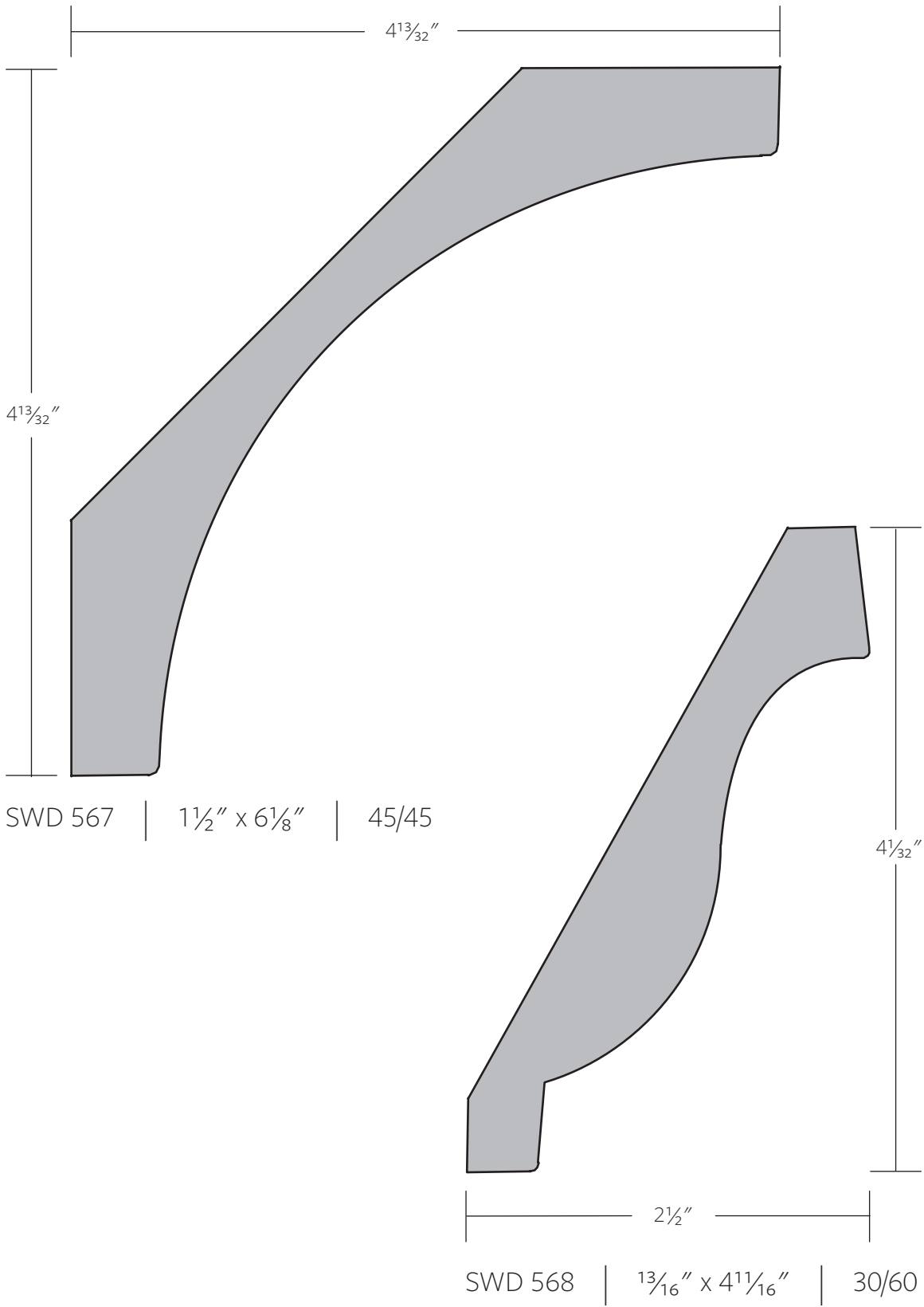
SWD 564 | $1\frac{3}{8}'' \times 5\frac{3}{8}''$ | 45/45

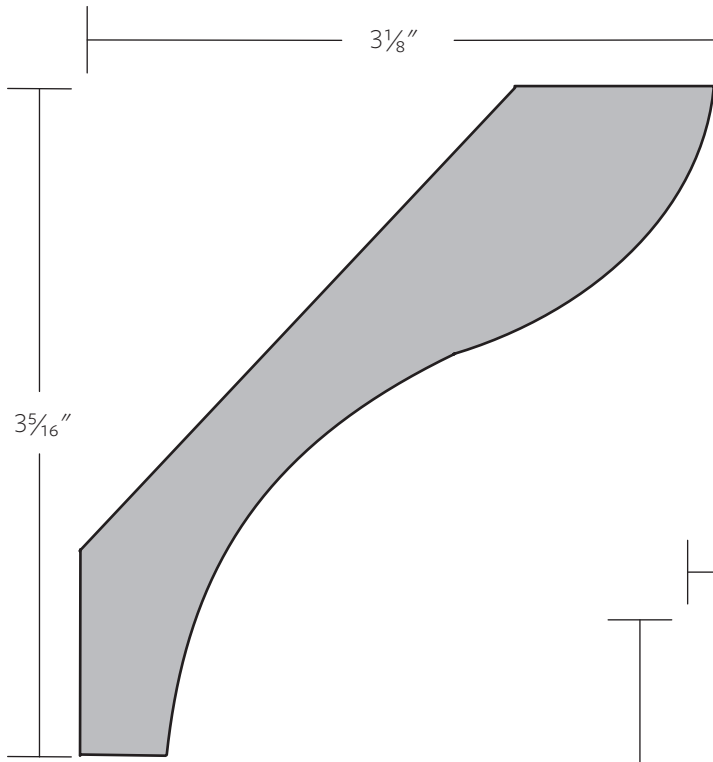


SWD 565 | $\frac{3}{4}'' \times 2\frac{3}{8}''$ | 45/45

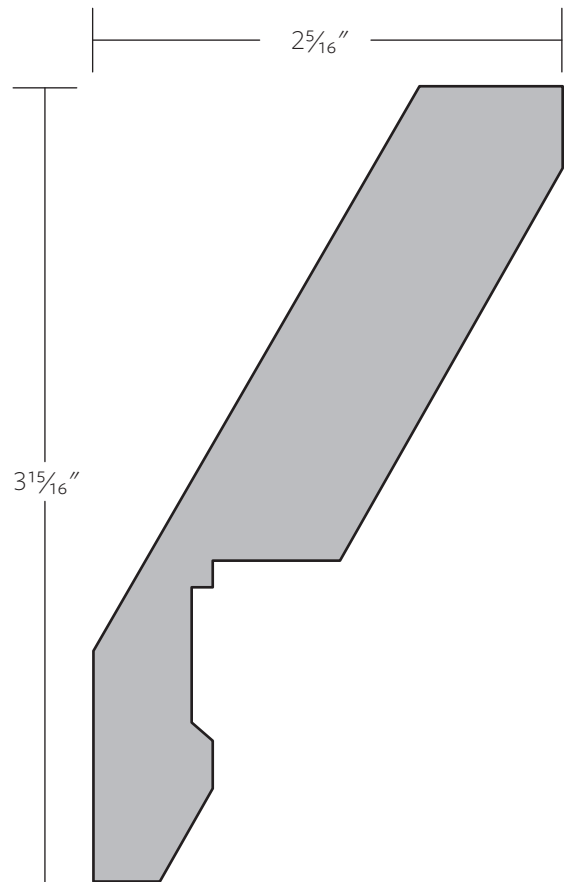


SWD 566 | 1 1/4" x 7 1/4" | 45/45

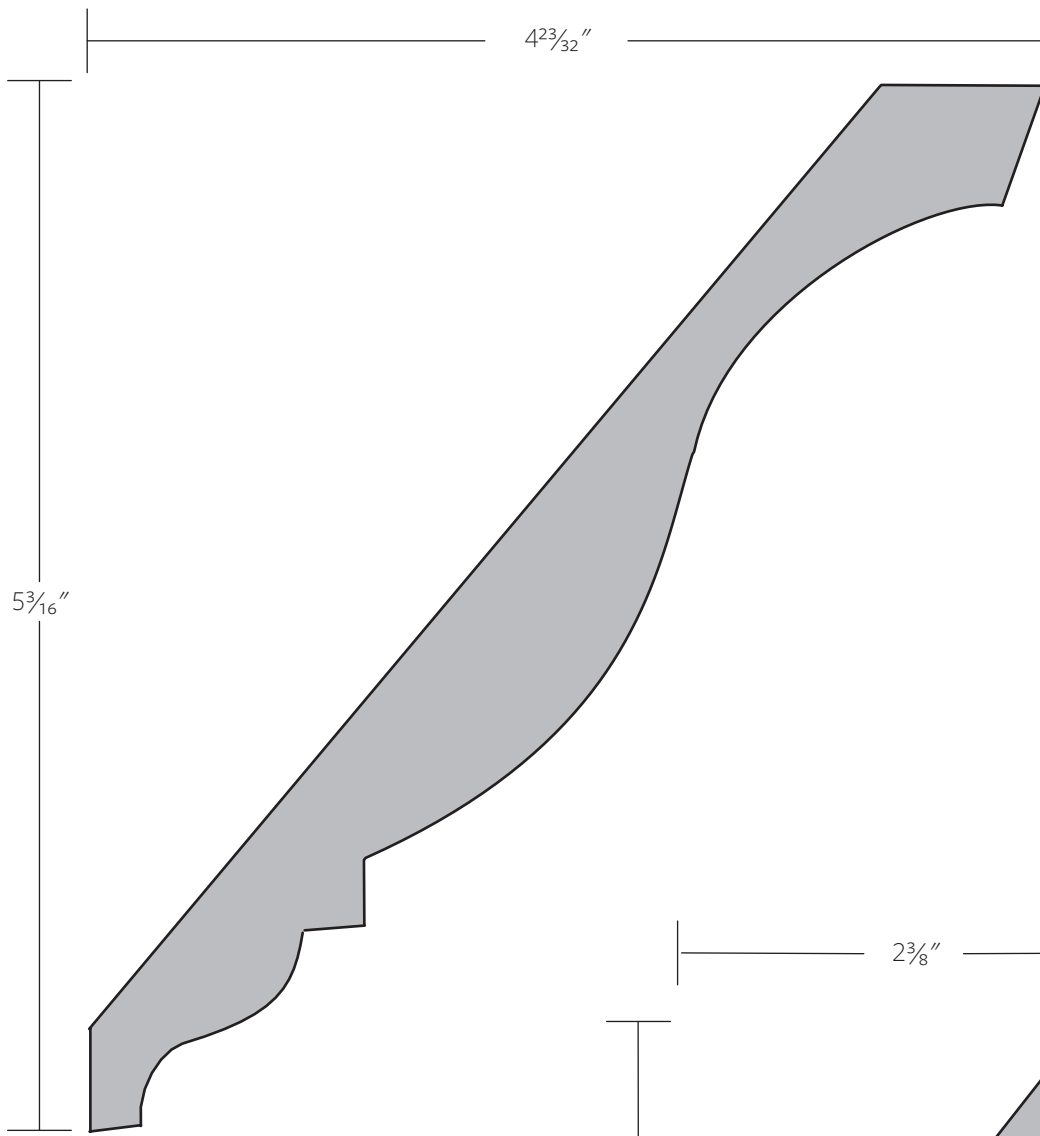




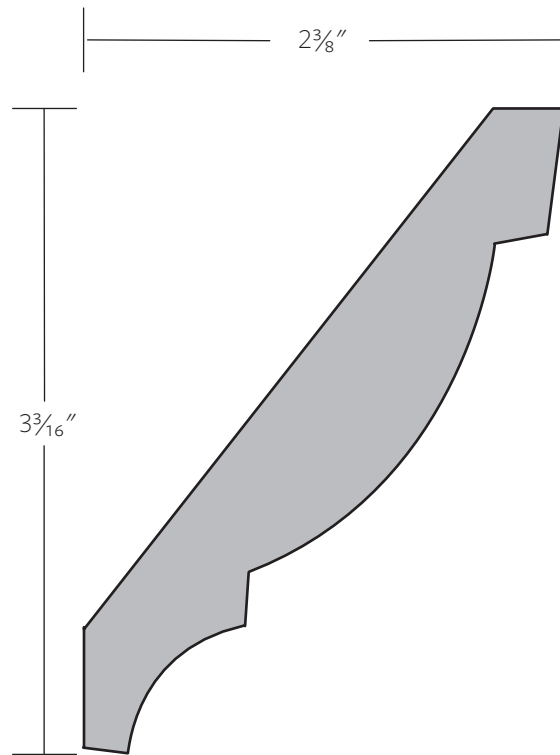
SWD 569 | 1" x 4½" | 45/45



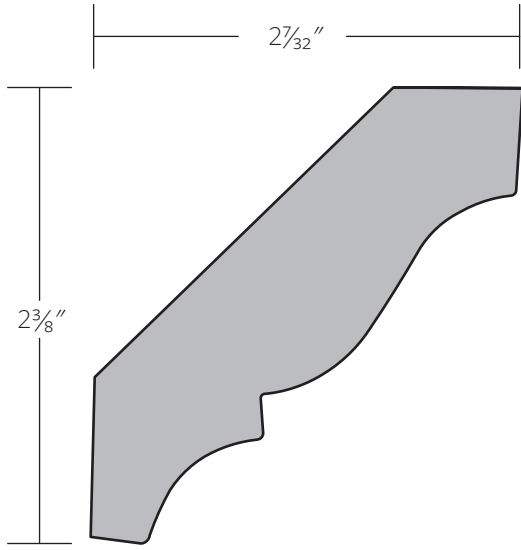
SWD 570 | 1¾" x 4⅝" | 30/60



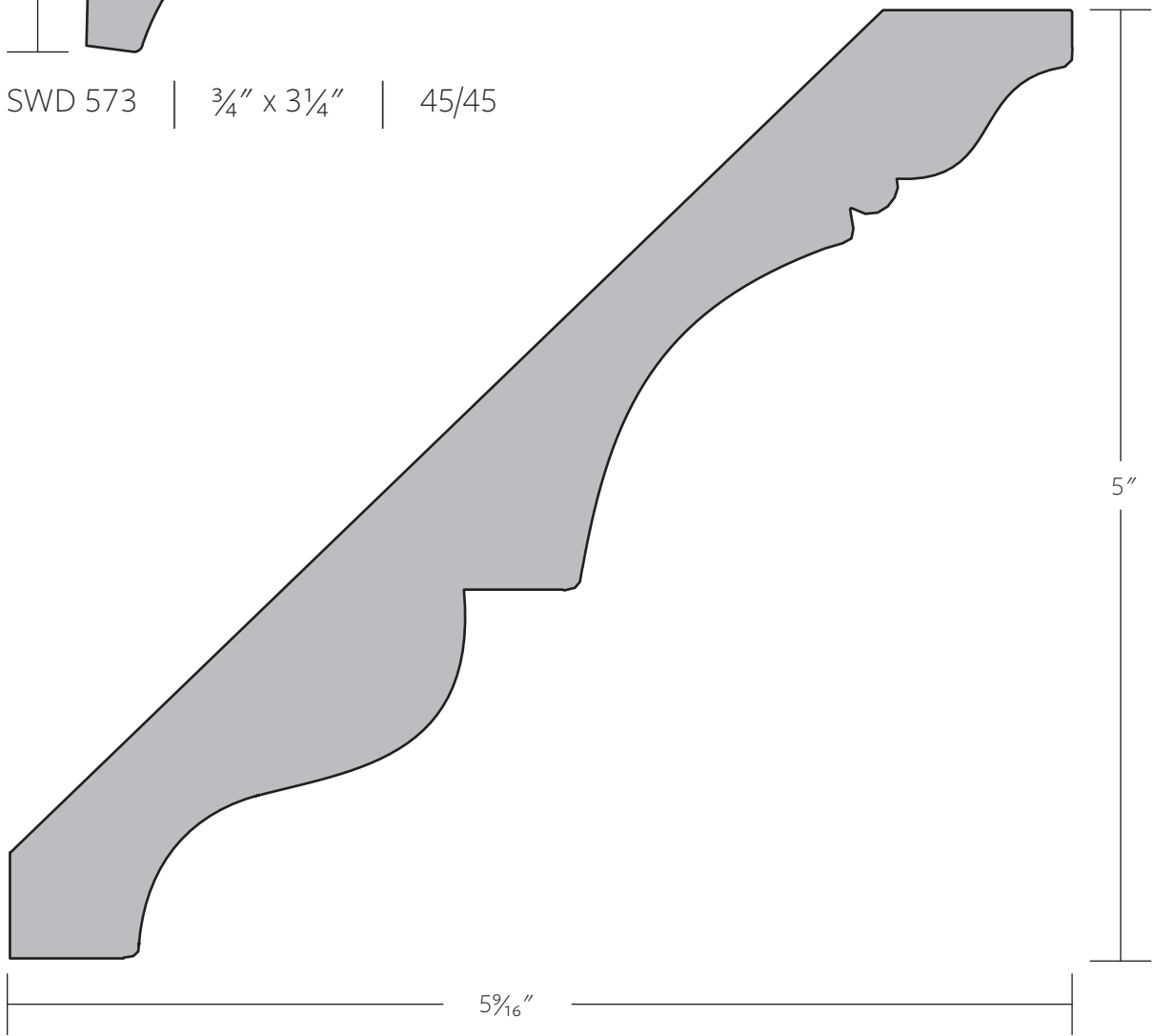
SWD 571 | $1\frac{3}{16}'' \times 7''$ | 38/52



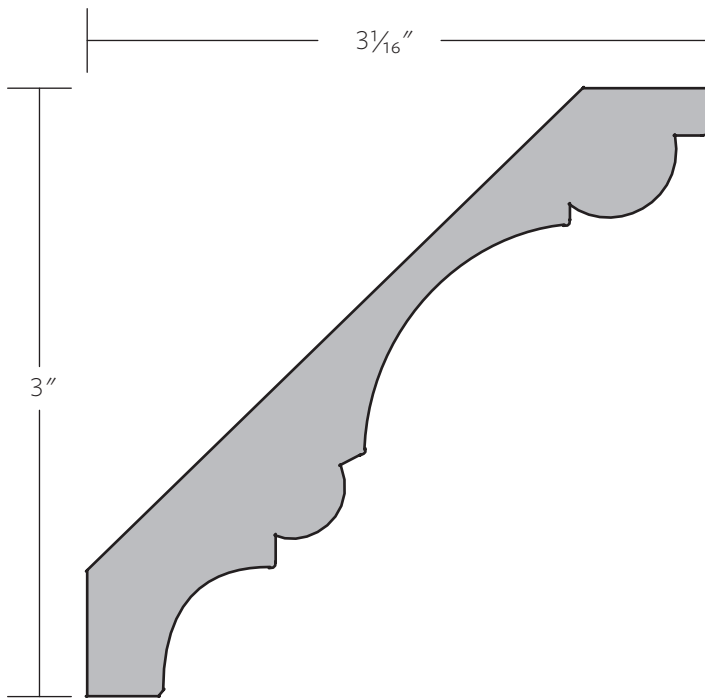
SWD 572 | $\frac{3}{4}'' \times 3\frac{15}{16}''$ | 38/52



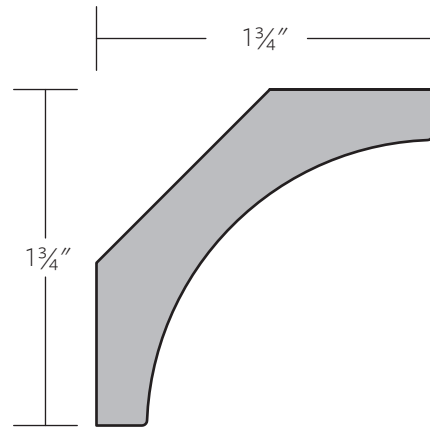
SWD 573 | $\frac{3}{4}'' \times 3\frac{1}{4}''$ | 45/45



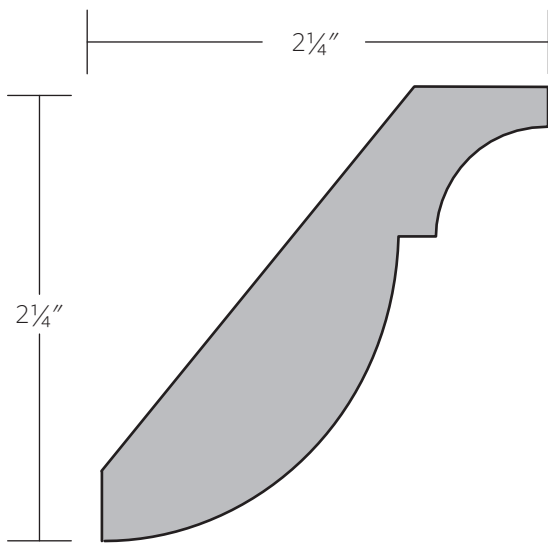
SWD 574 | $1\frac{1}{16}'' \times 7\frac{3}{8}''$ | 45/45



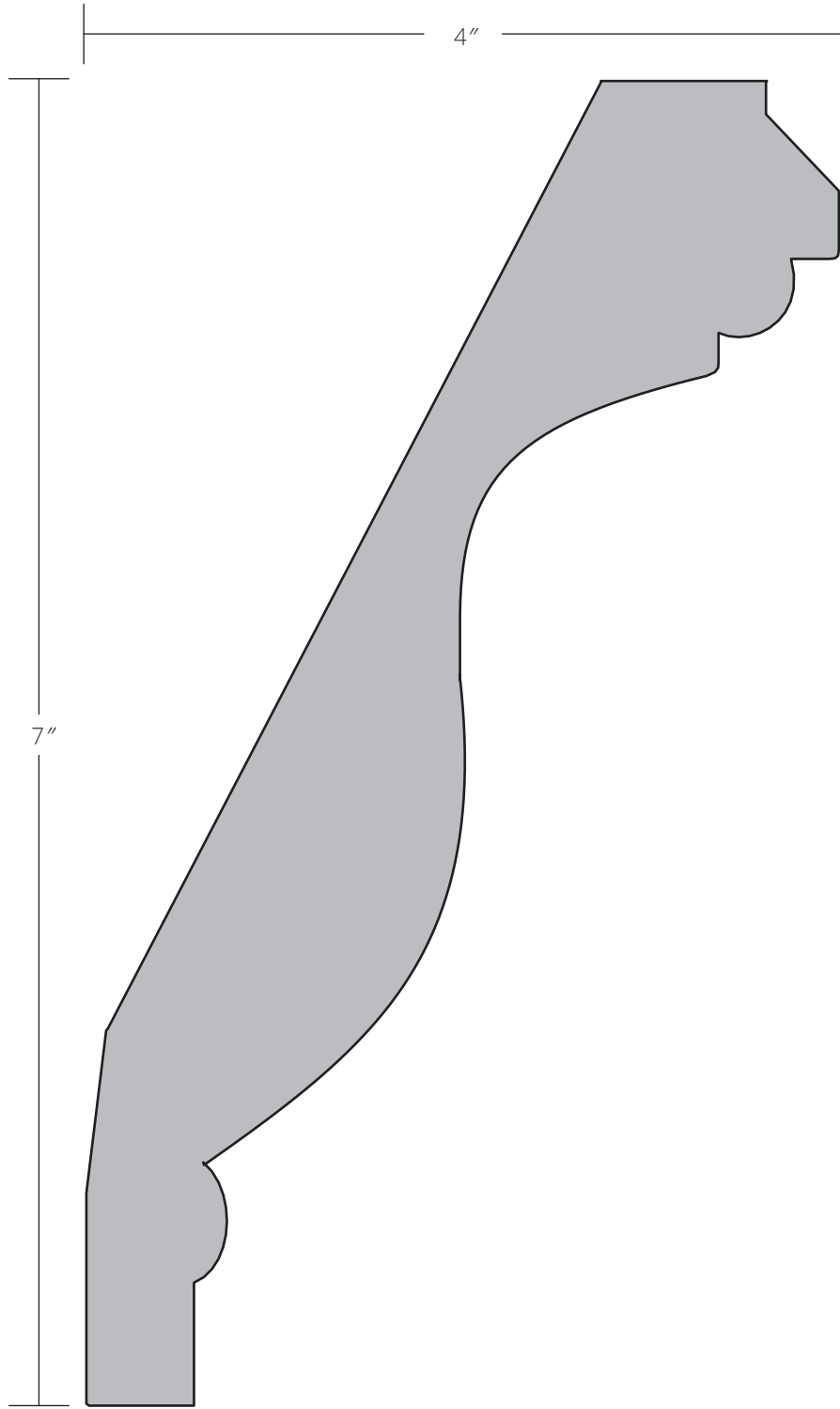
SWD 575 | $1\frac{1}{16}'' \times 4\frac{1}{4}''$ | 45/45



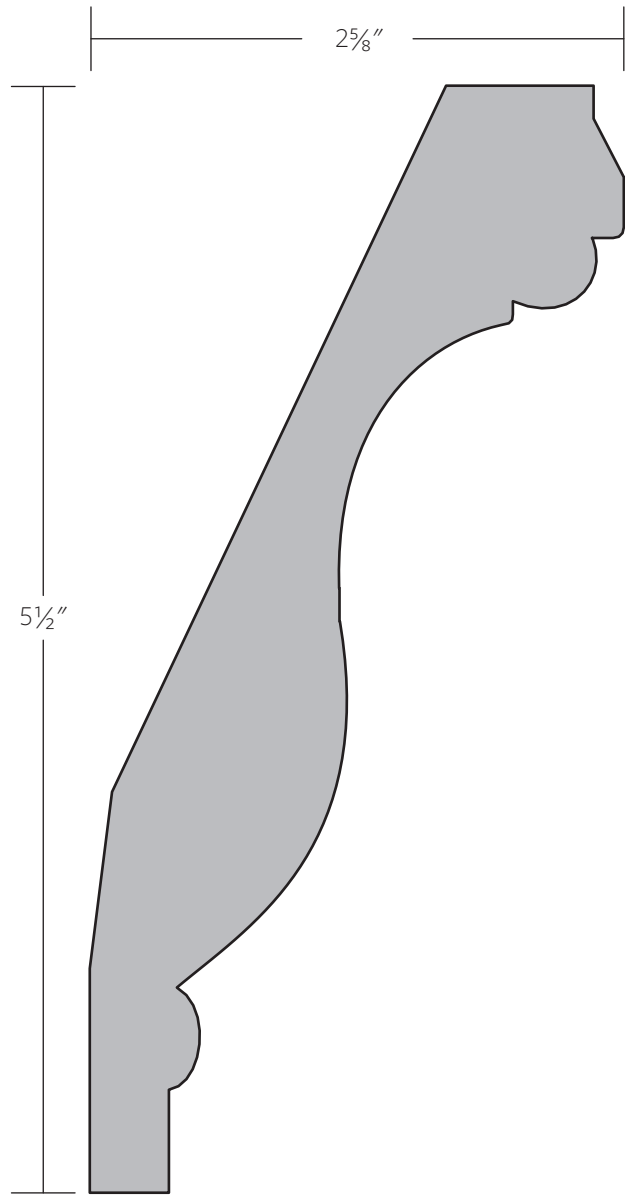
SWD 576 | $\frac{3}{4}'' \times 2\frac{1}{2}''$ | 45/45



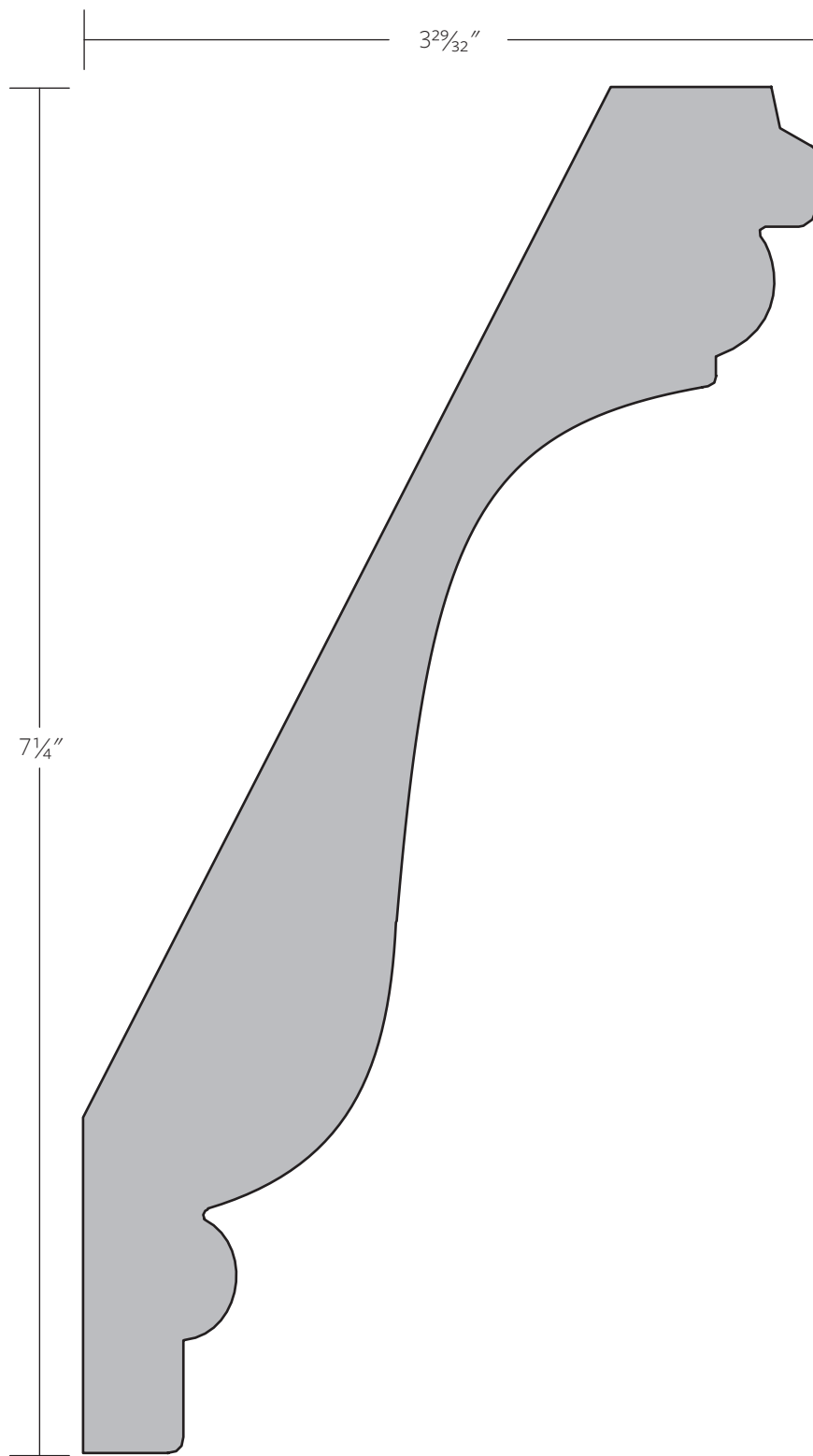
SWD 577 | $\frac{3}{4}'' \times 3\frac{1}{4}''$ | 38/52



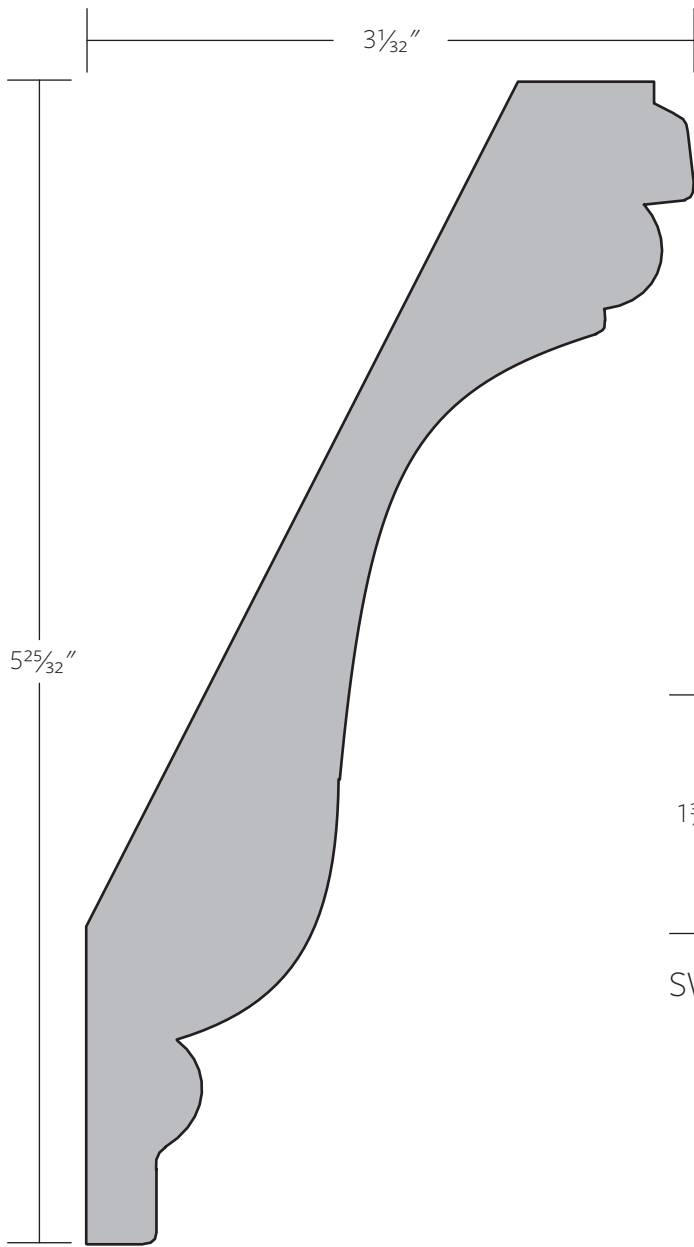
SWD 578 | 1½" x 7⅞" | 30/60



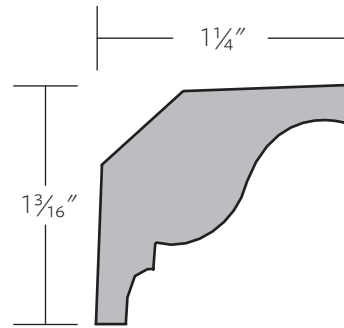
SWD 579 | 1 1/8" x 6" | 30/60



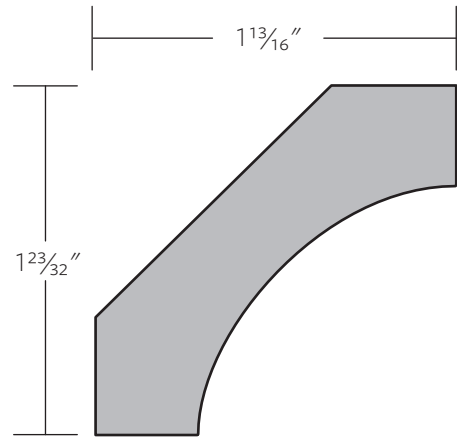
SWD 580 | $1\frac{5}{16}$ " x $8\frac{1}{8}$ " | 30/60



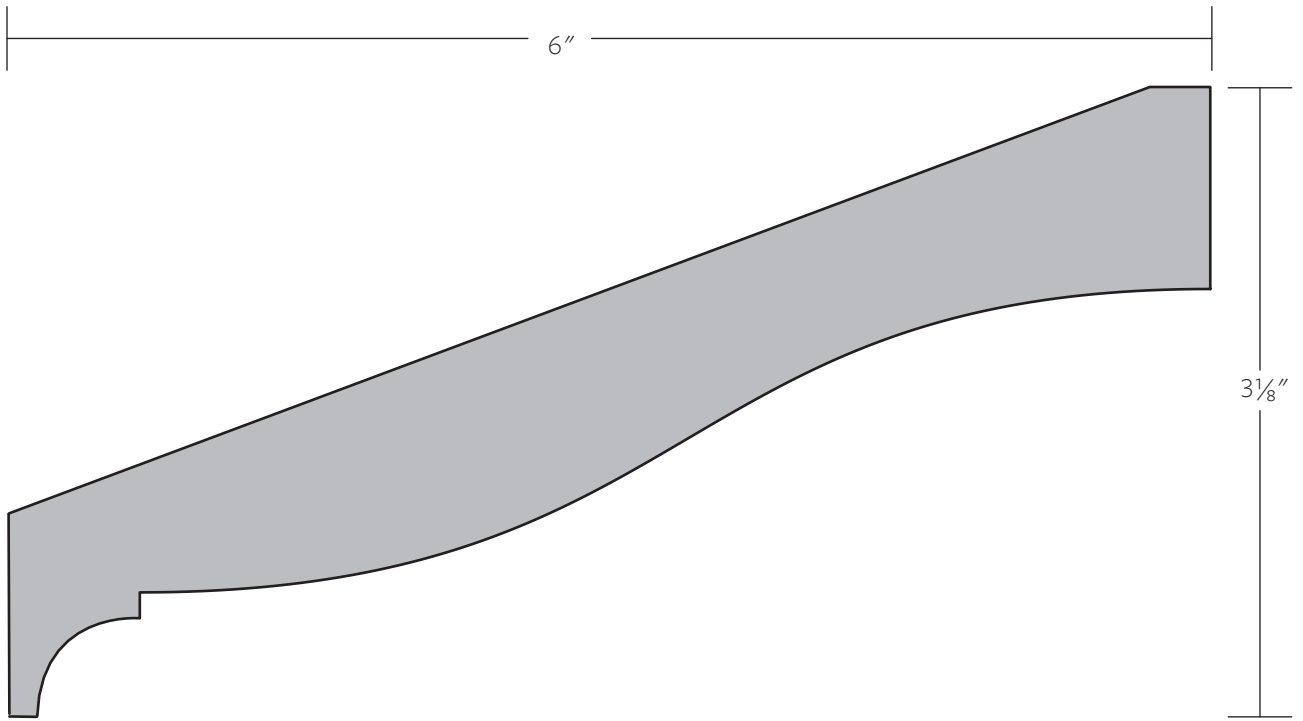
SWD 581 | $1\frac{1}{16}'' \times 6\frac{7}{16}''$ | 30/60



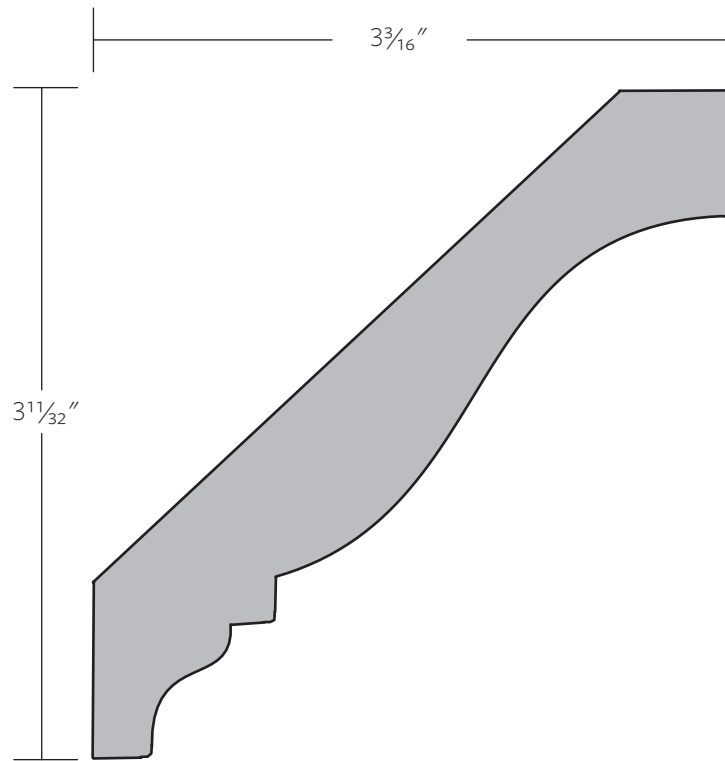
SWD 582 | $\frac{5}{8}'' \times 1\frac{3}{4}''$ | 45/45



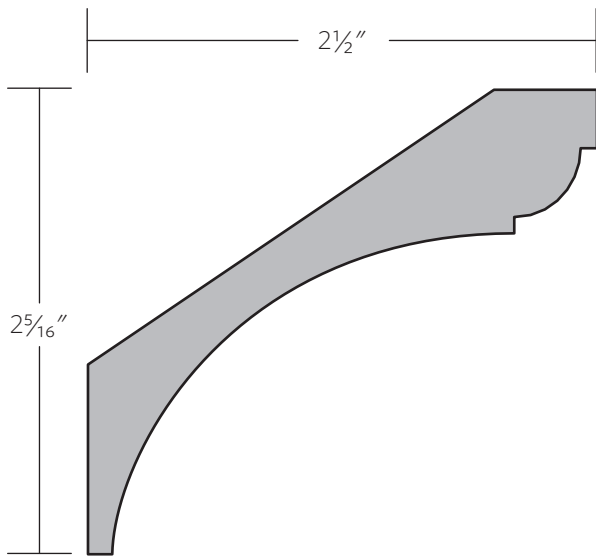
SWD 583 | $\frac{3}{4}'' \times 2\frac{1}{2}''$ | 45/45



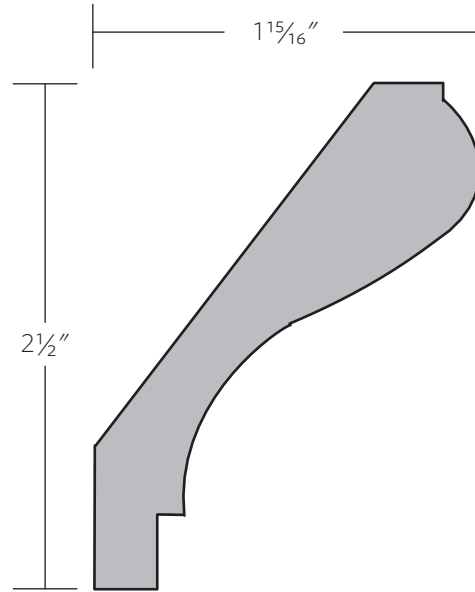
SWD 584 | $1\frac{1}{16}'' \times 6\frac{3}{4}''$ | 71/19



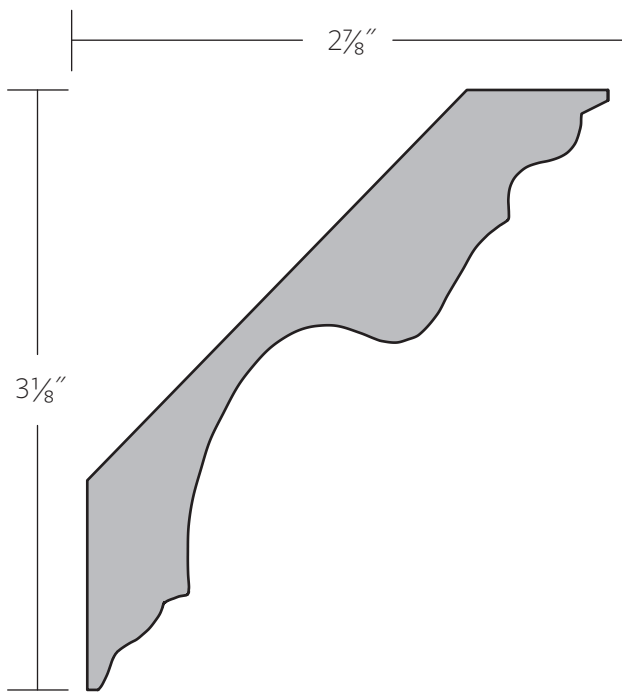
SWD 585 | $\frac{3}{4}'' \times 4\frac{9}{16}''$ | 45/45



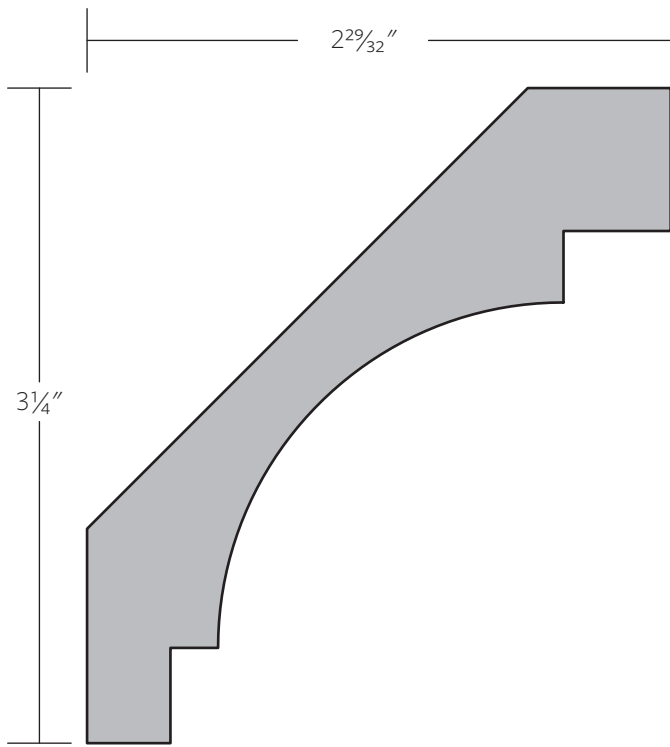
SWD 586 | $\frac{3}{4}'' \times 3\frac{7}{16}''$ | 38/52



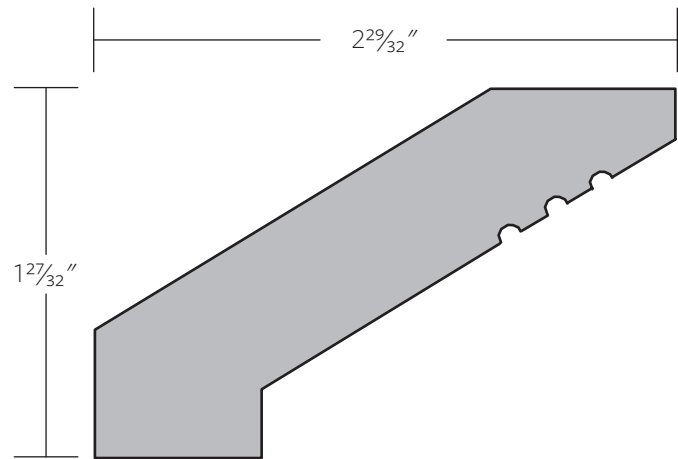
SWD 587 | $\frac{3}{4}'' \times 3\frac{1}{16}''$ | 38/52



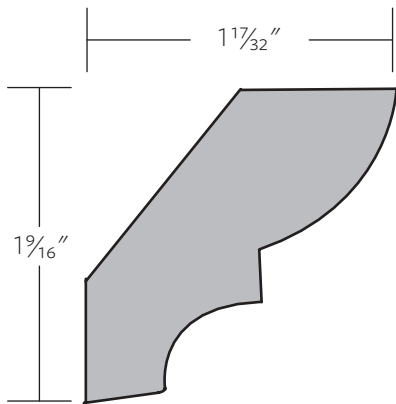
SWD 588 | $2\frac{9}{32}'' \times 4\frac{3}{16}''$ | 45/45



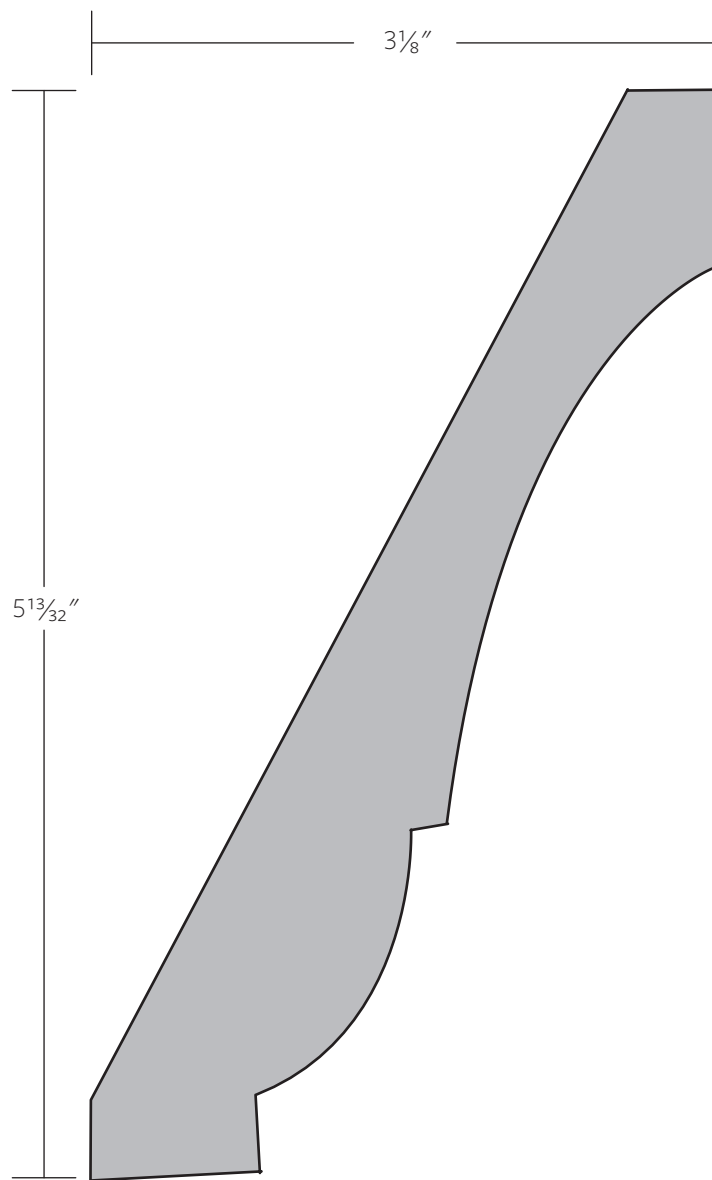
SWD 589 | 1" x 4³/₁₆" | 45/45



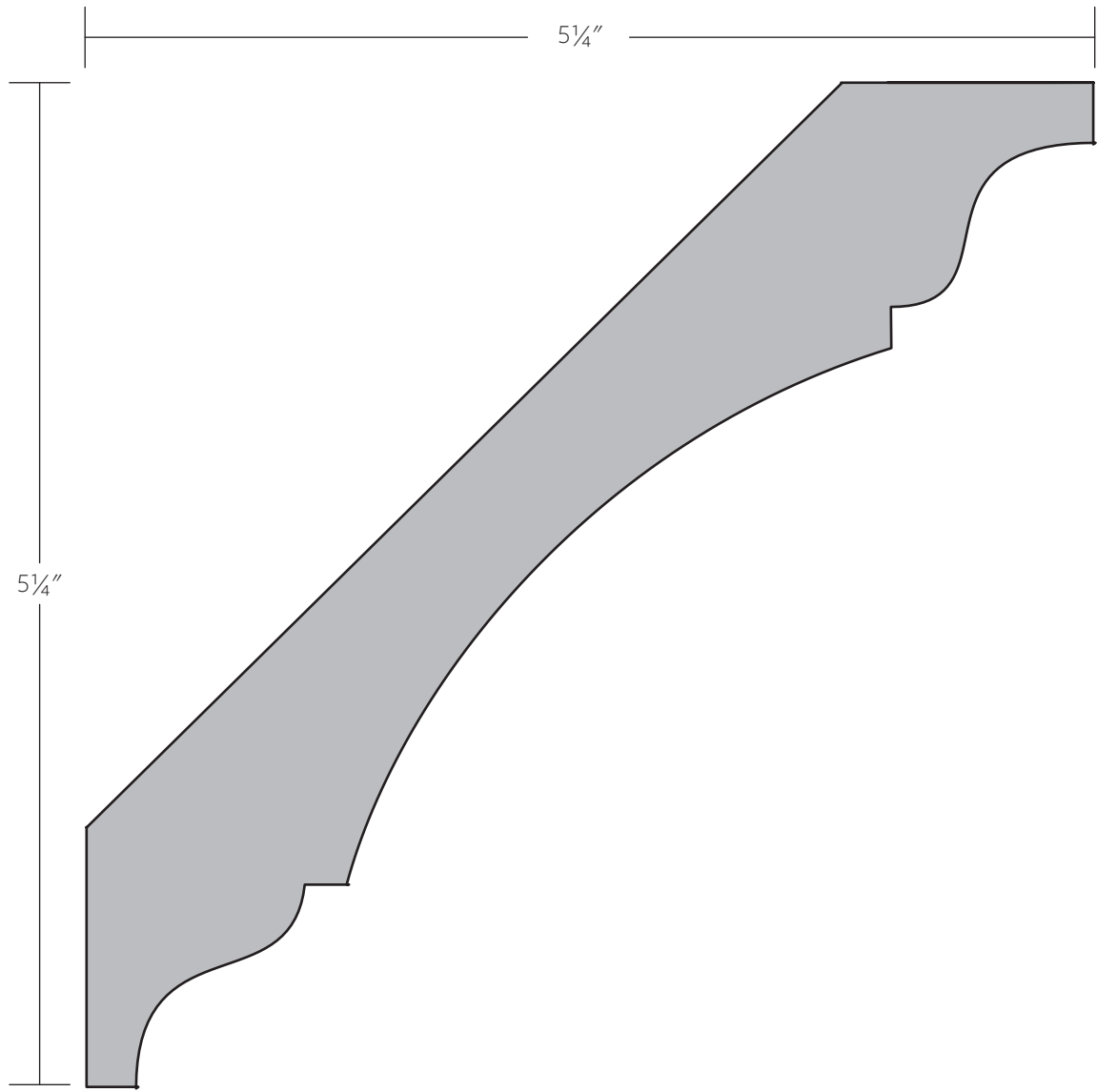
SWD 590 | 1¹/₃₂" x 3¹³/₃₂" | 60/30



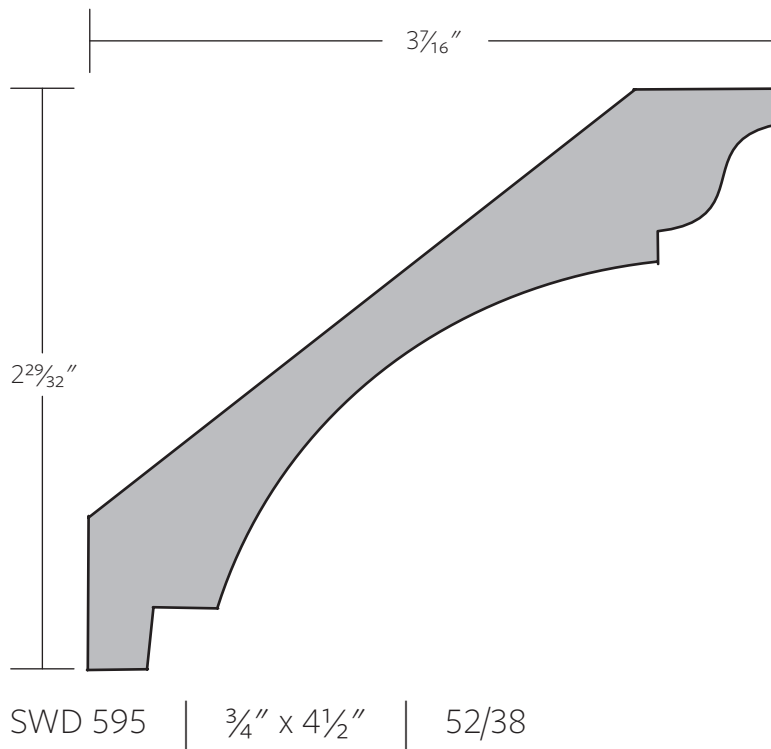
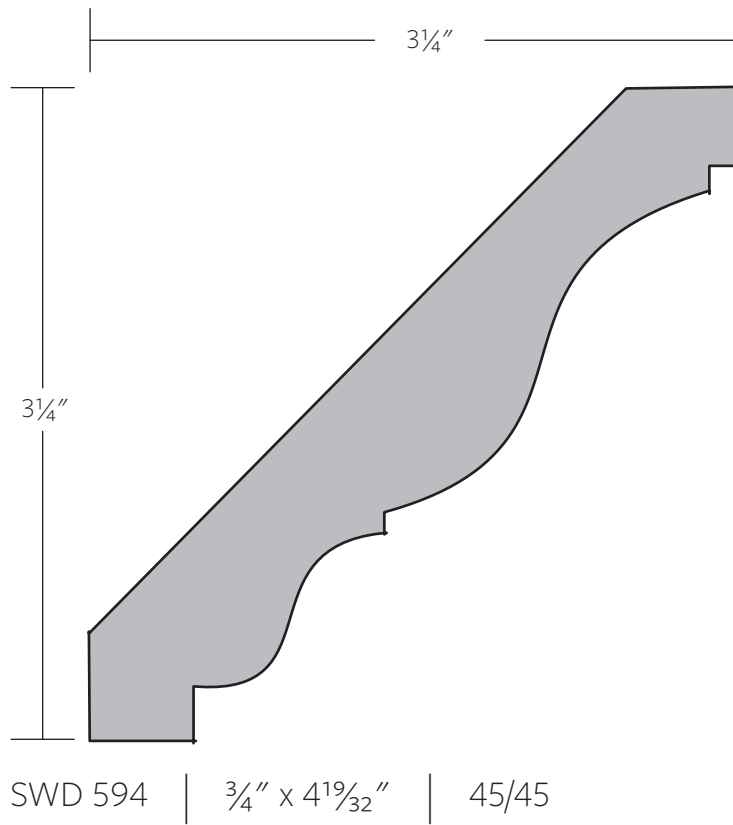
SWD 591 | 3/4" x 2³/₁₆" | 38/52

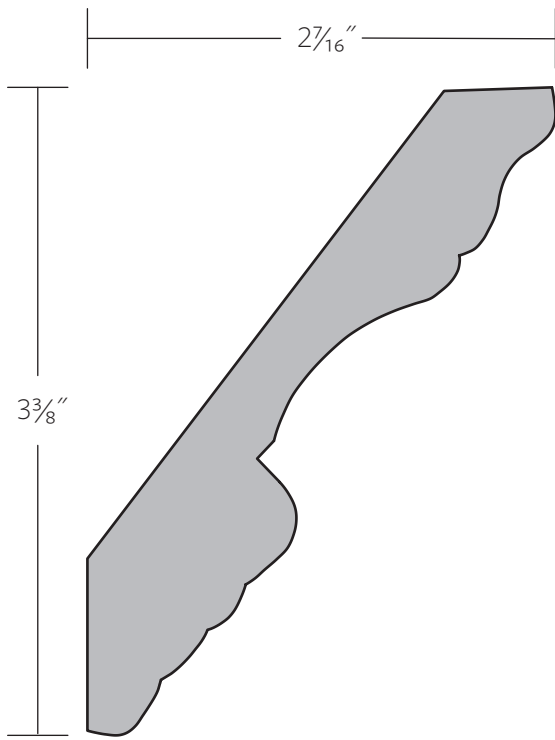


SWD 592 | 1" x 6 $\frac{1}{4}$ " | 64/23

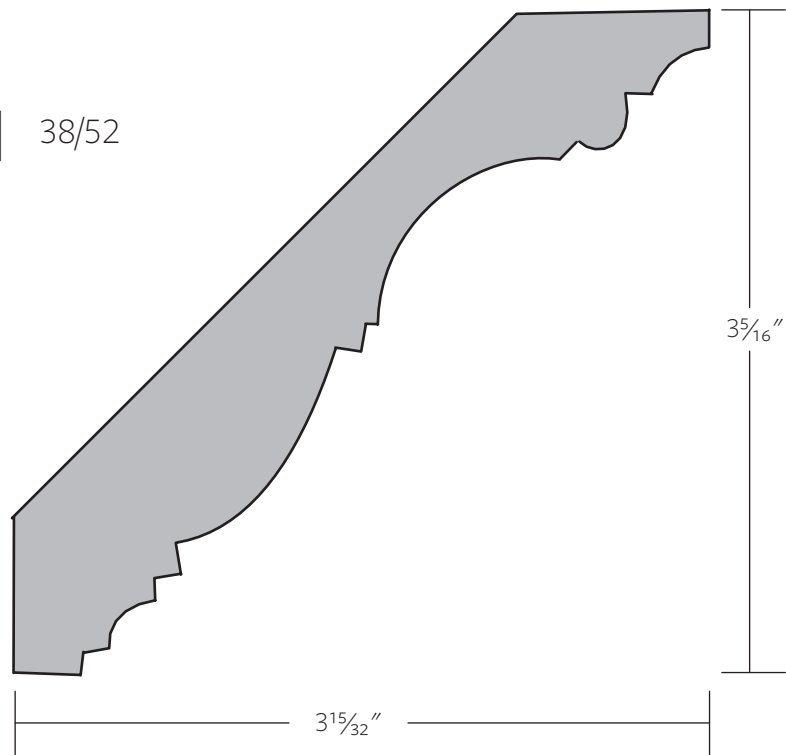


SWD 593 | 1 1/8" x 7 11/32" | 45/45

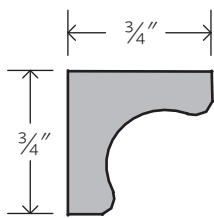




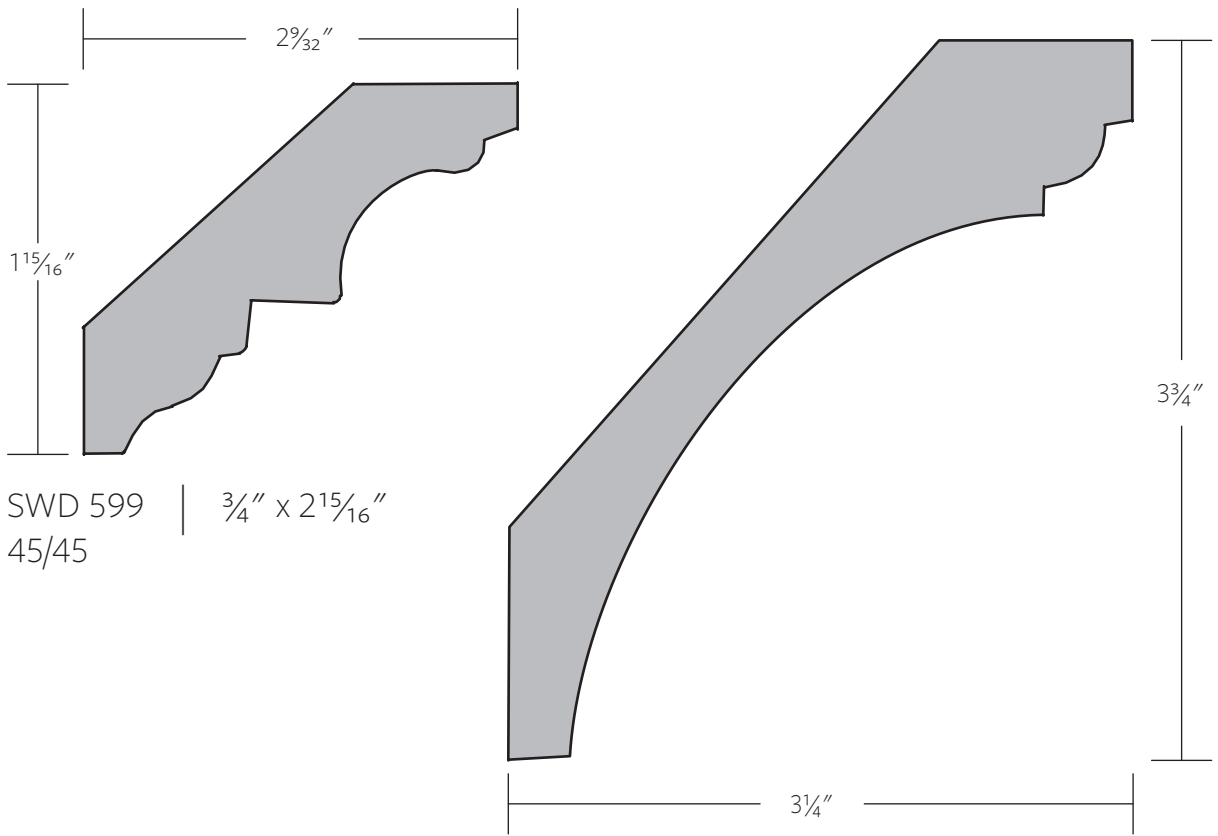
SWD 596 | 7/8" x 4" | 38/52



SWD 597 | 1 3/16" x 4 3/4" | 45/45

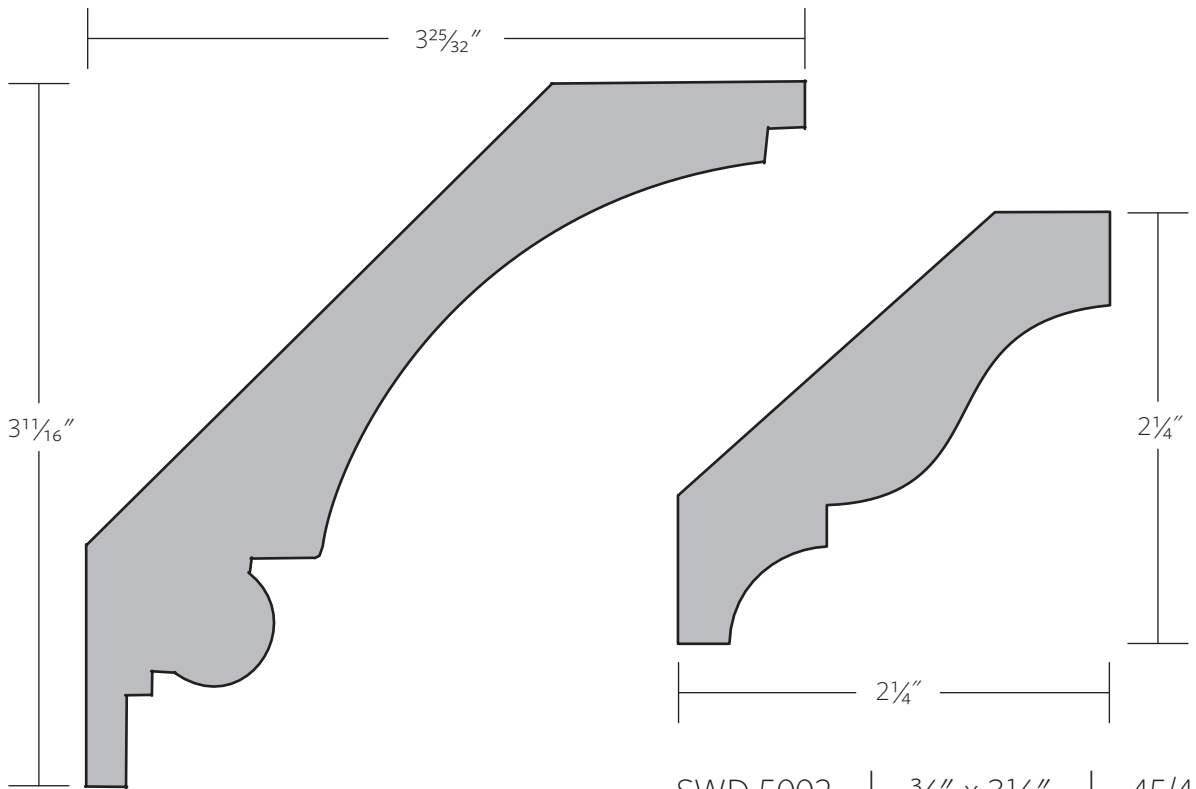


SWD 598 | 3/4" x 3/4"



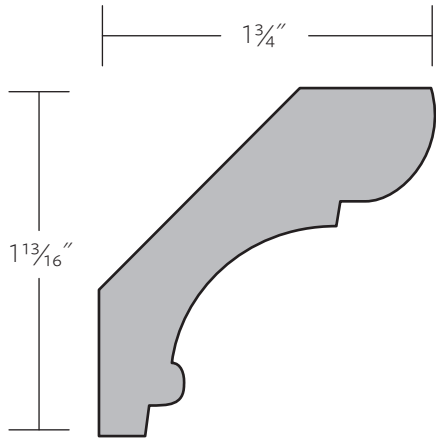
SWD 599 | 3/4" x 2 15/16" | 45/45

SWD 5000 | 1 1/16" x 5" | 38/52

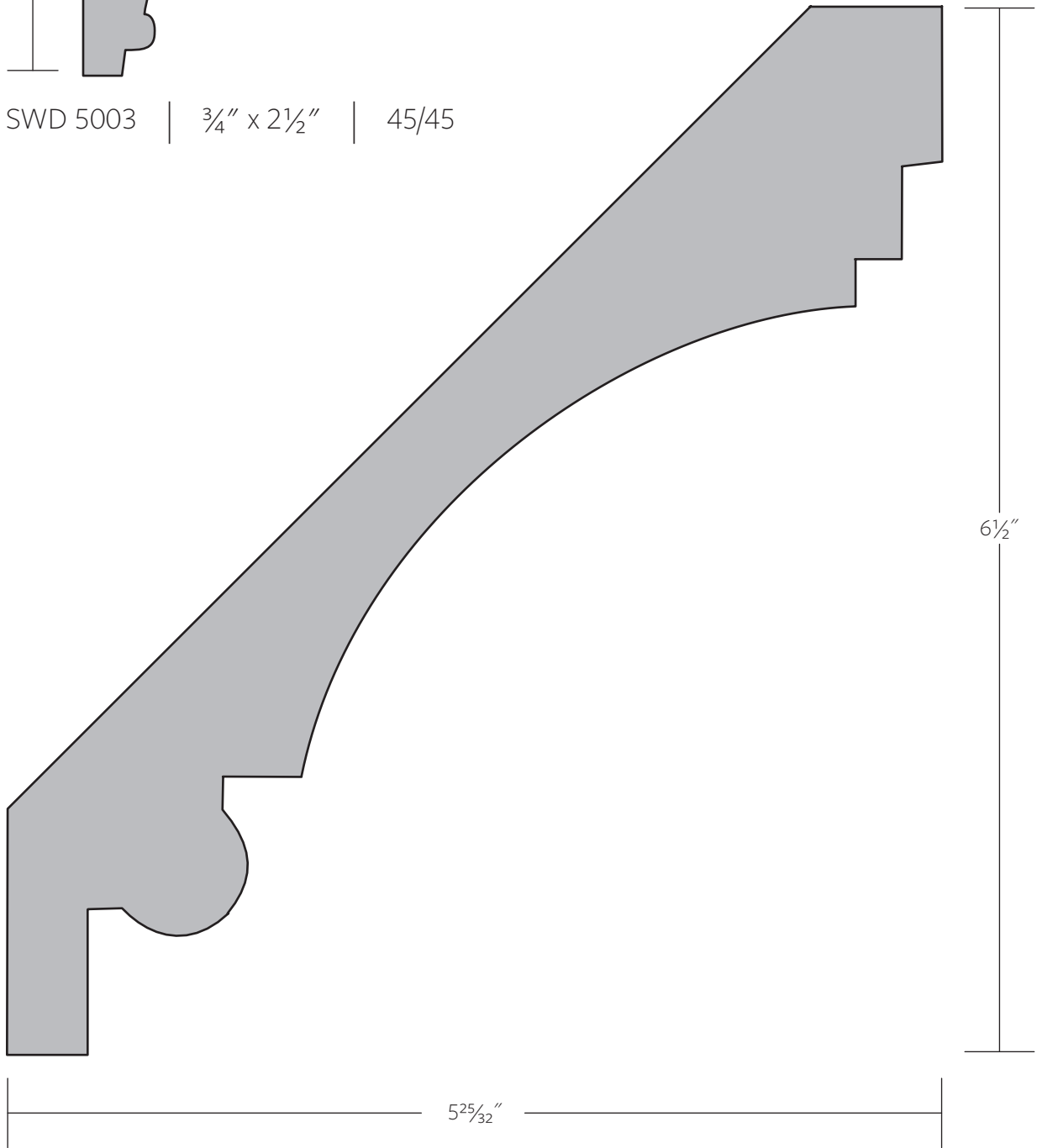


SWD 5001 | 1 1/16" x 5 1/4" | 45/45

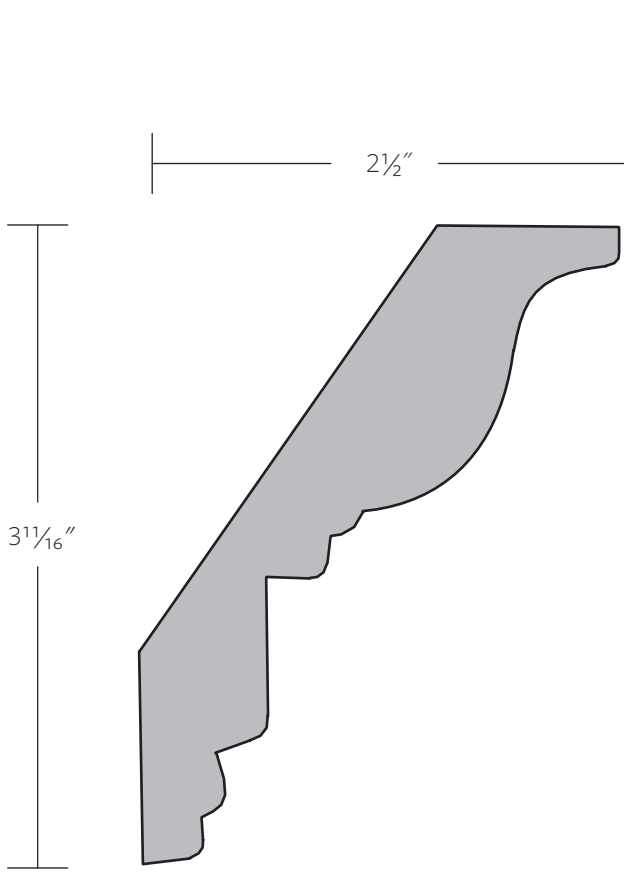
SWD 5002 | 3/4" x 3 1/8" | 45/45



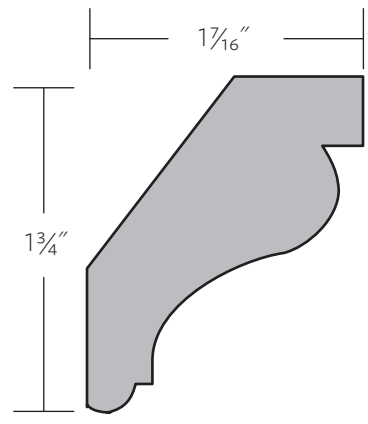
SWD 5003 | 3/4" x 2 1/2" | 45/45



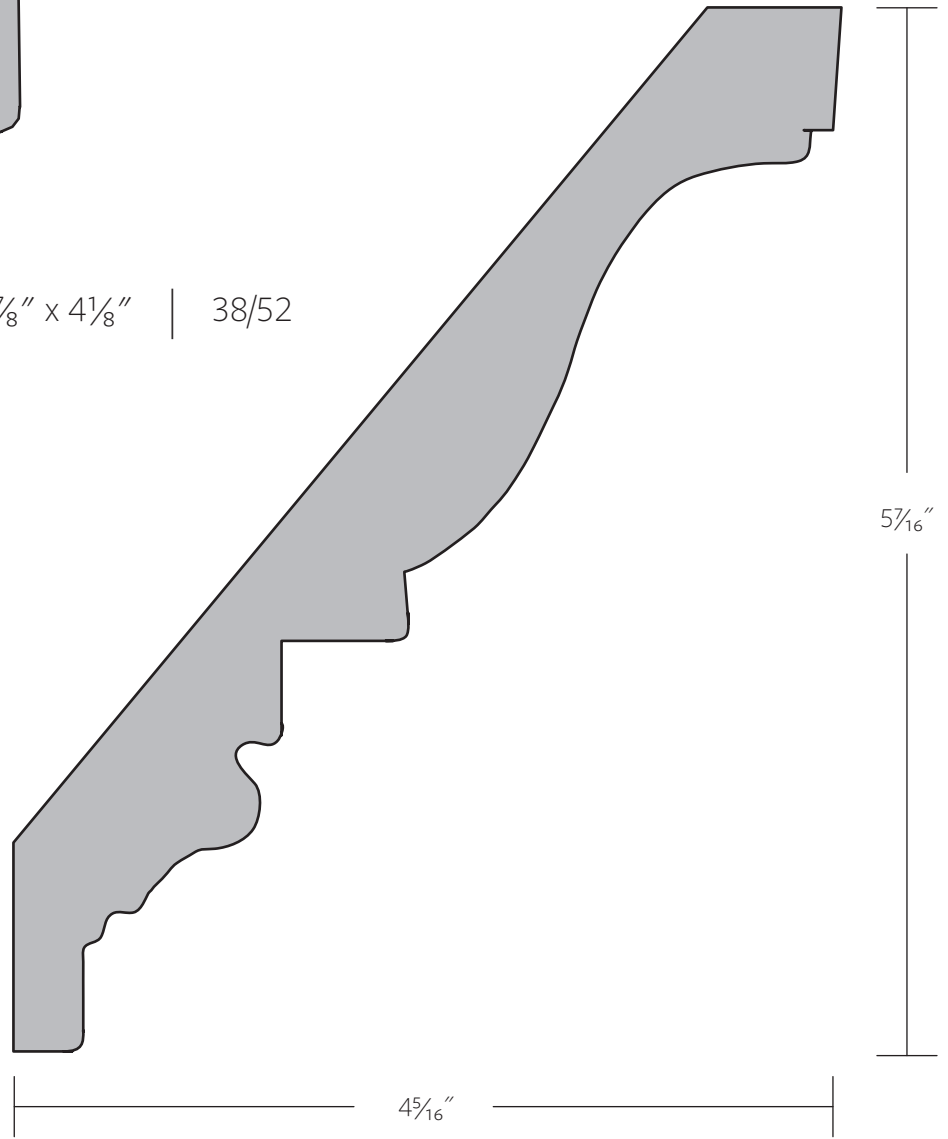
SWD 5004 | 1 1/2" x 8 5/8" | 45/45



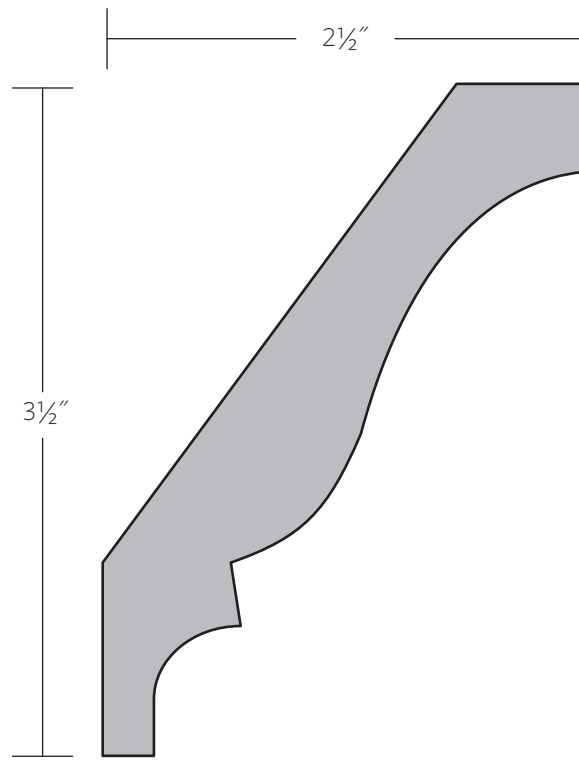
SWD 5005 | 7/8" x 4 1/8" | 38/52



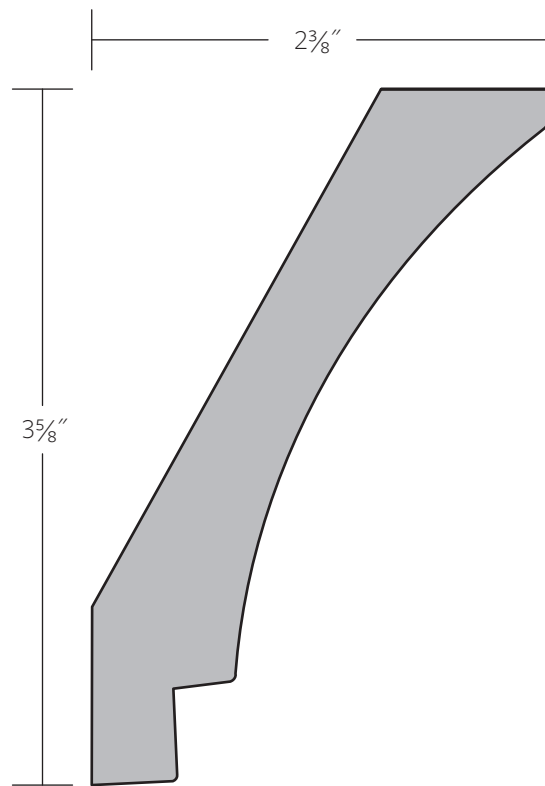
SWD 5006 | 1 3/16" x 2 3/16" | 38/52



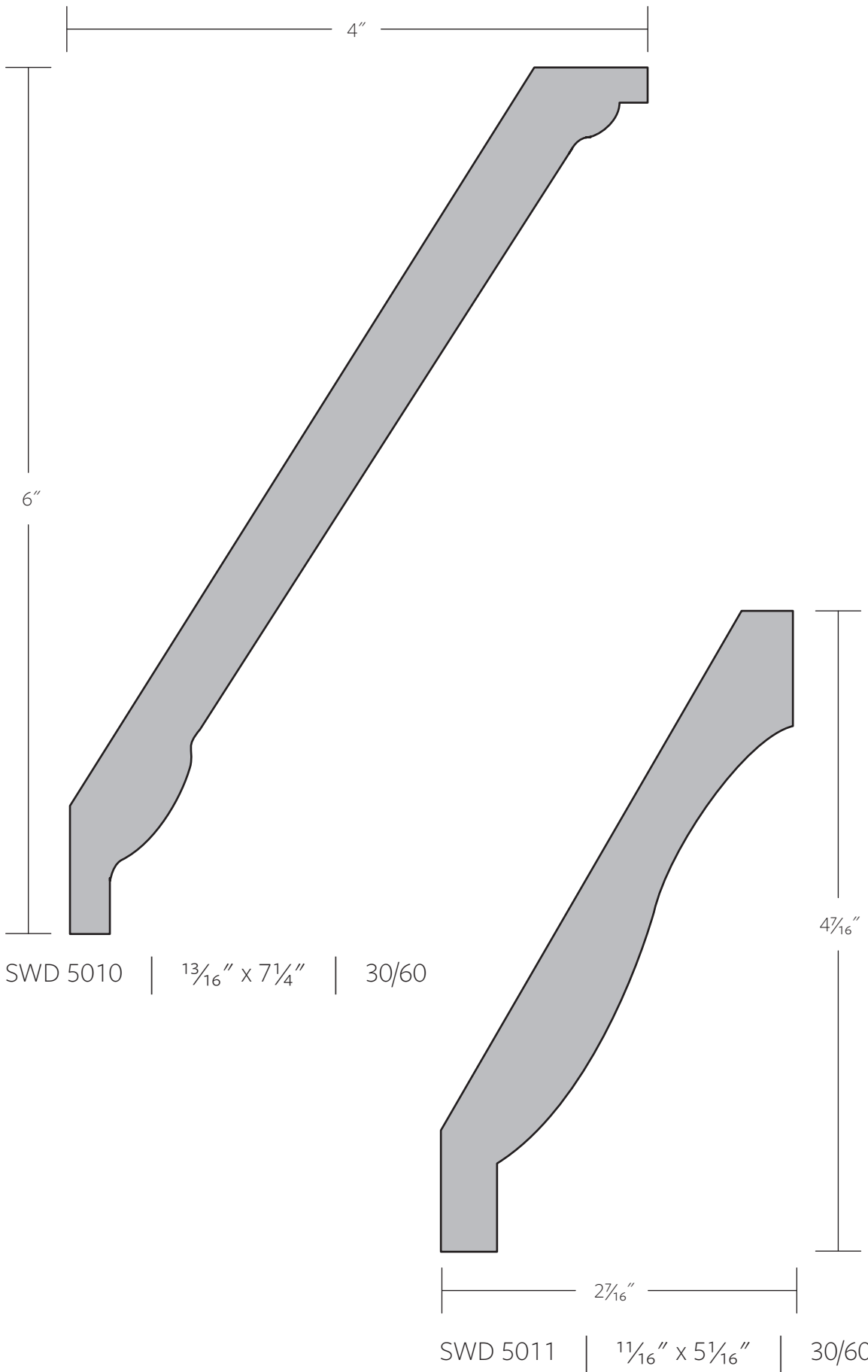
SWD 5007 | 1 5/16" x 6 13/16" | 45/45

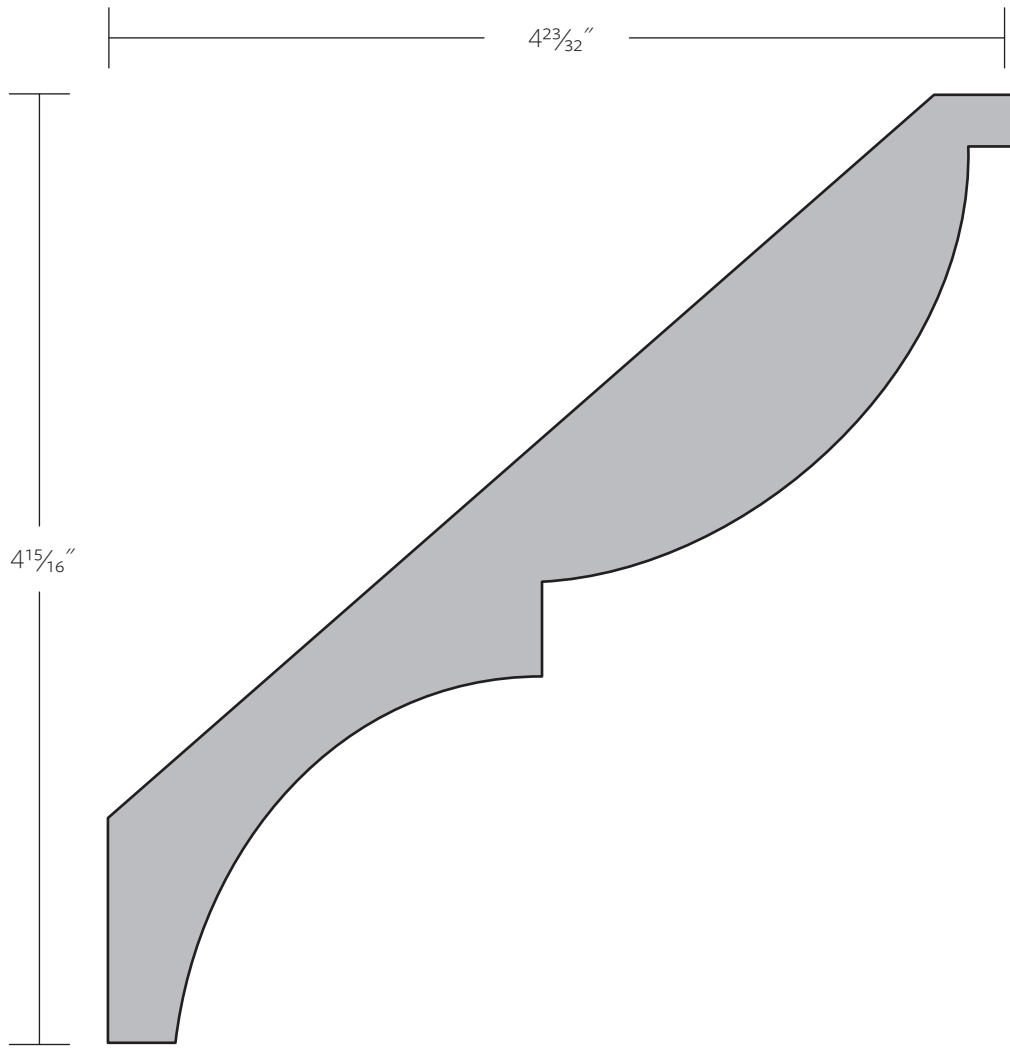


SWD 5008 | 3/4" x 4 1/4" | 38/52

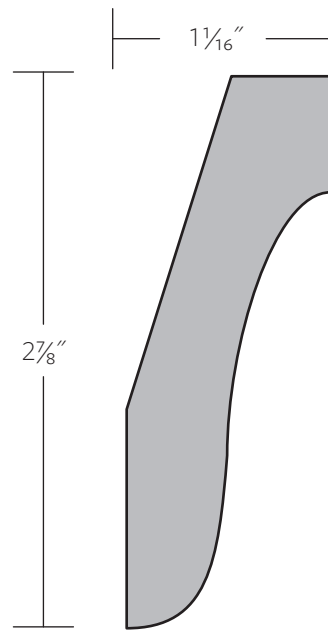


SWD 5009 | 3/4" x 4 1/4" | 30/60

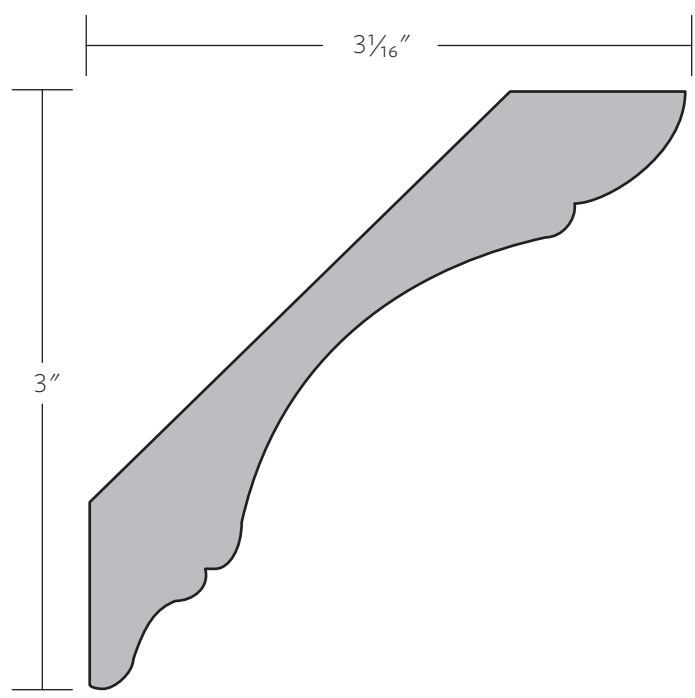




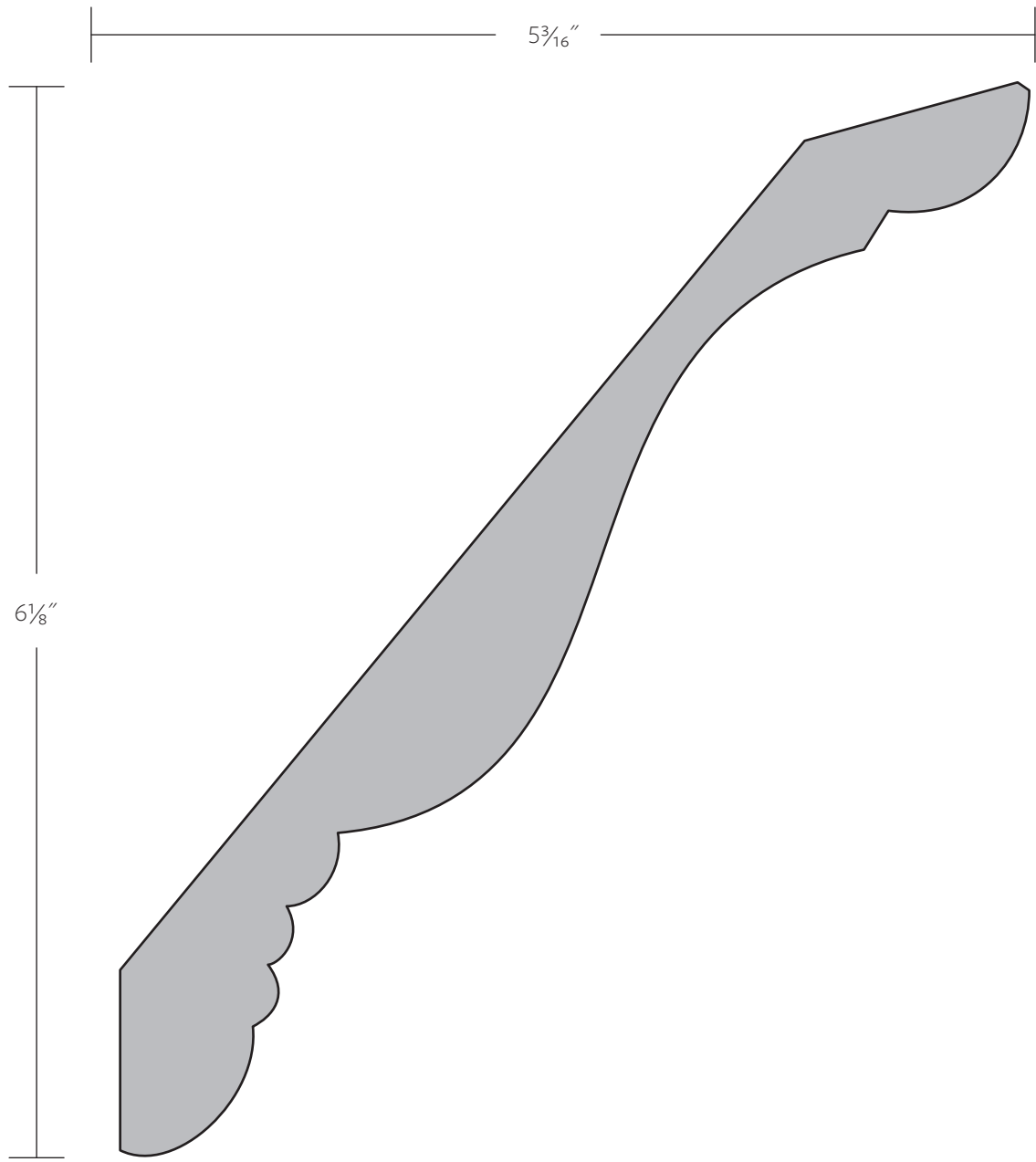
SWD 5012 | $1\frac{1}{16}$ " x $6\frac{3}{4}$ " | 52/38



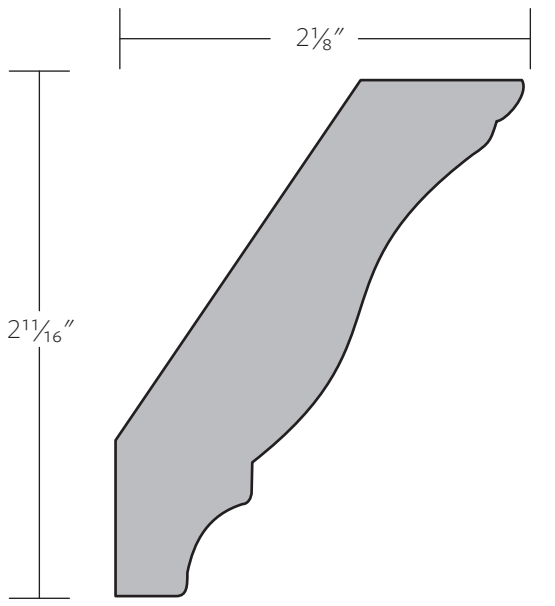
SWD 5013 | 1 1/16" x 3 1/16" | 20/70



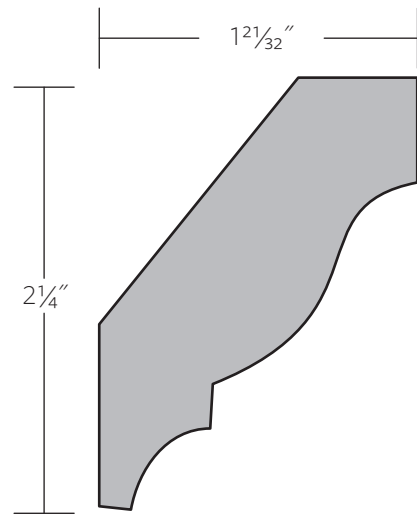
SWD 5014 | 3/4" x 4 1/4" | 45/45



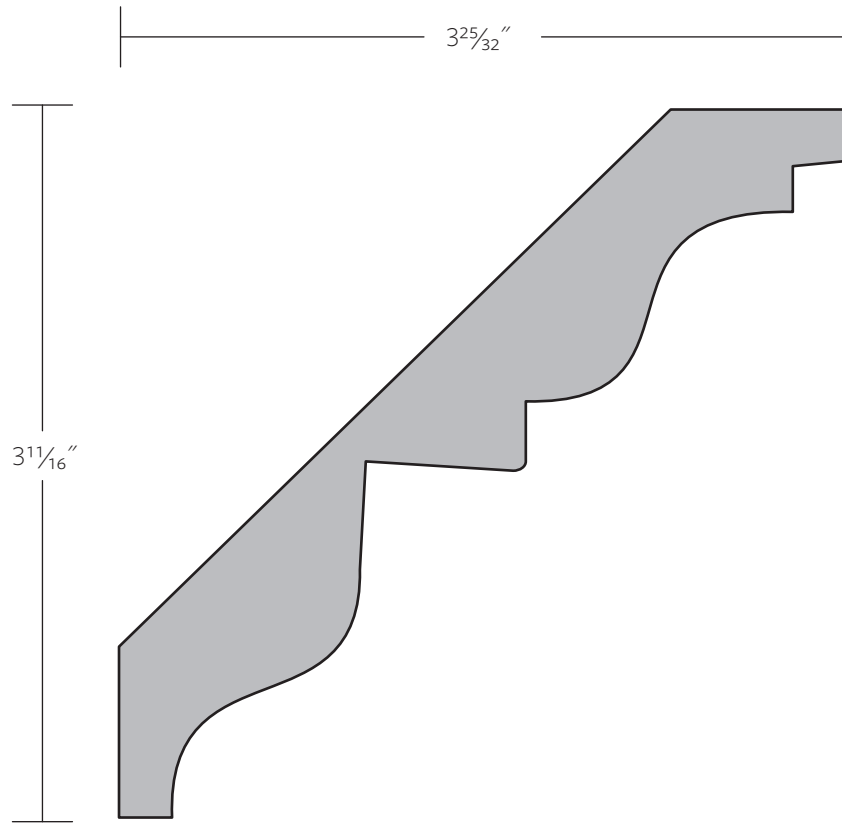
SWD 5015 | 1 5/16" x 7 15/16" | 45/52



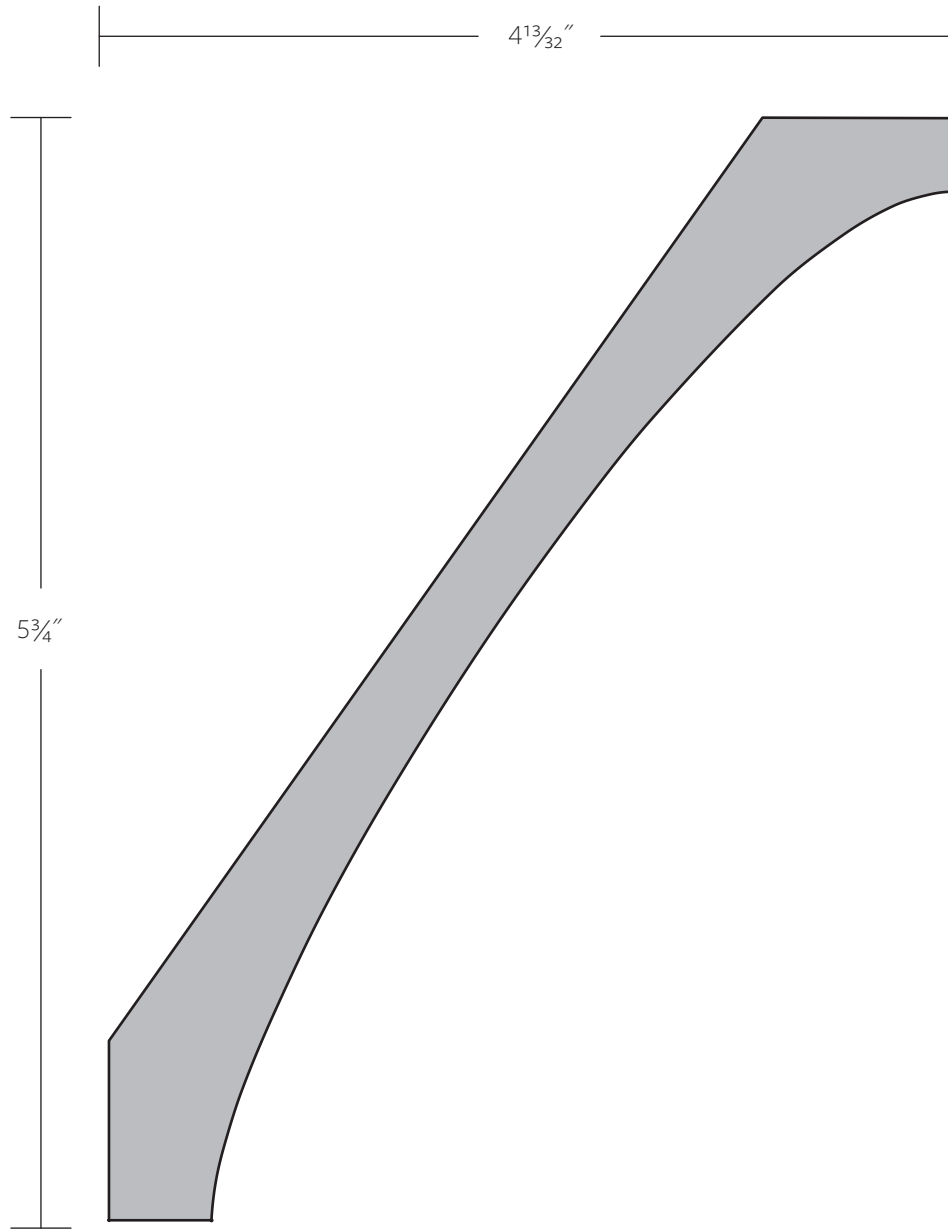
SWD 5016 | $\frac{3}{4}'' \times 3\frac{7}{16}''$ | 38/52



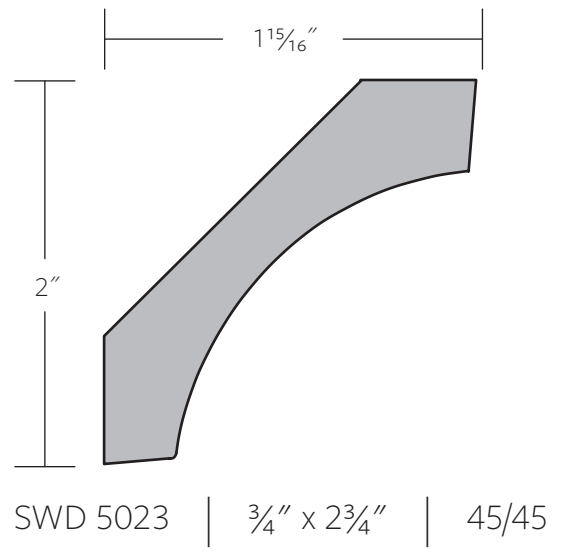
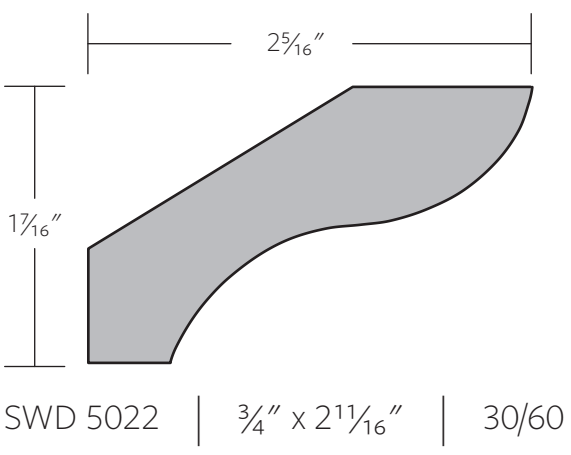
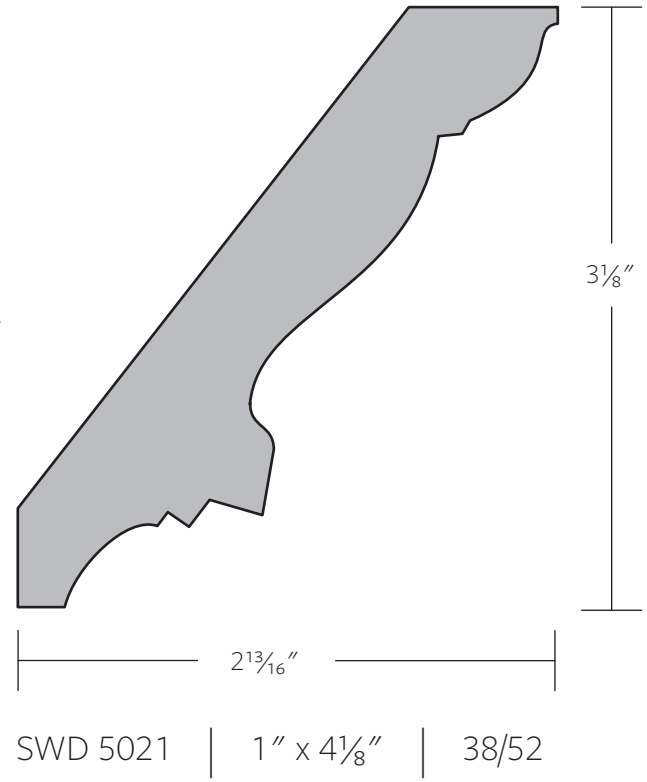
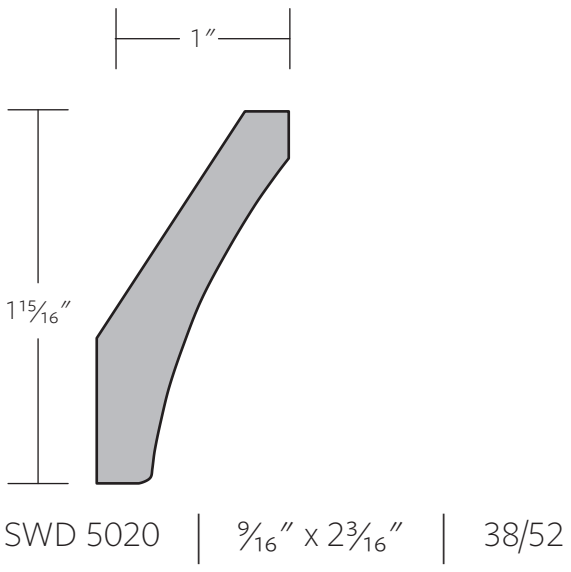
SWD 5018 | $\frac{13}{16}'' \times 2\frac{3}{4}''$ | 38/52

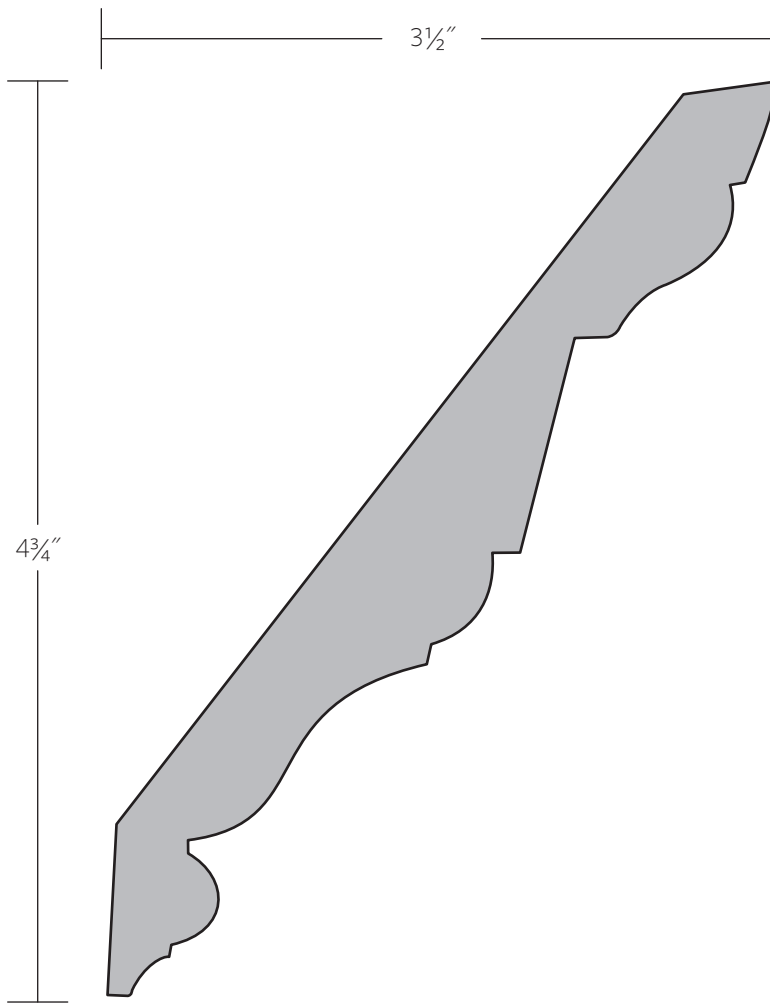


SWD 5017 | $\frac{13}{16}'' \times 5\frac{1}{4}''$ | 45/45

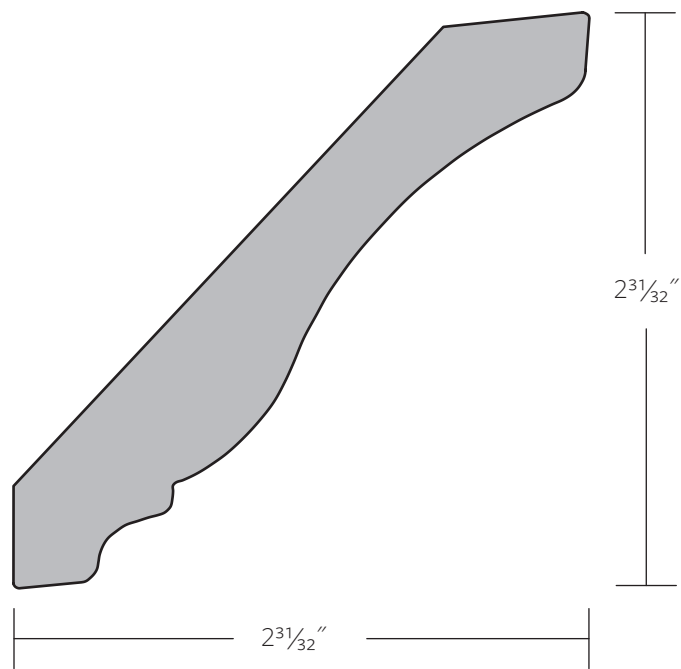


SWD 5019 | 1" x 7 $\frac{1}{4}$ " | 38/52

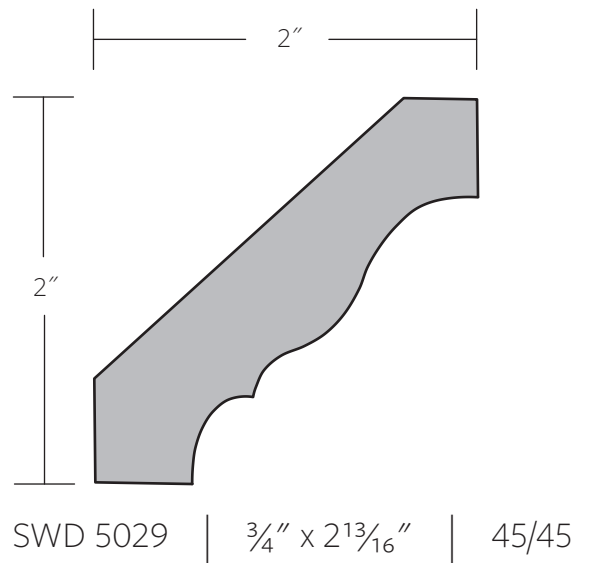
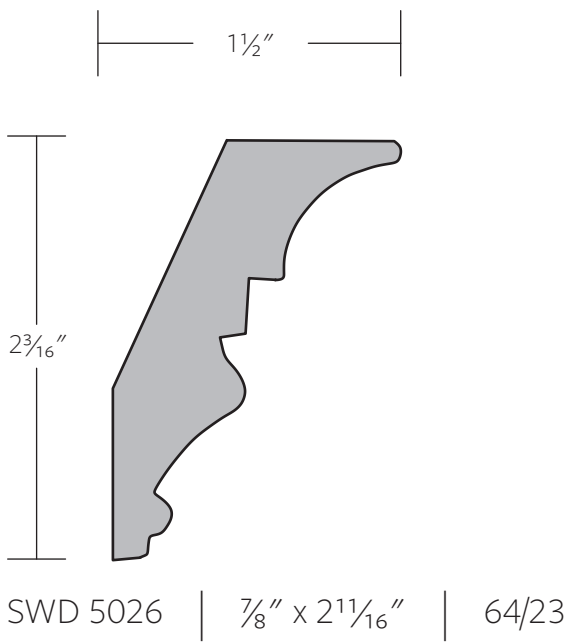
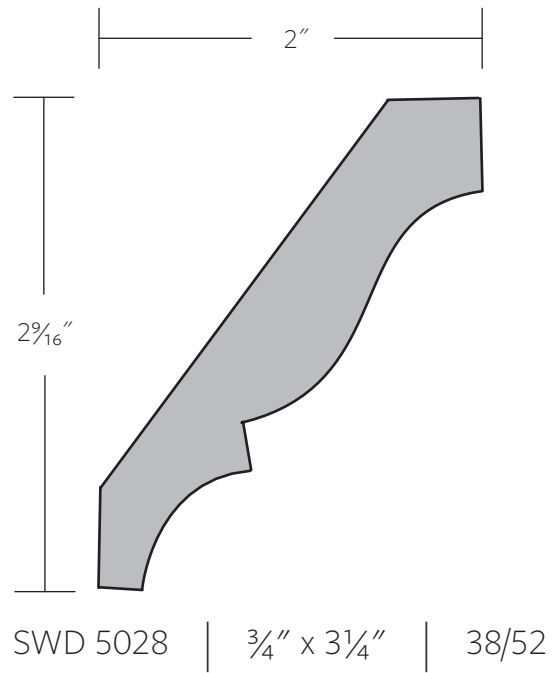
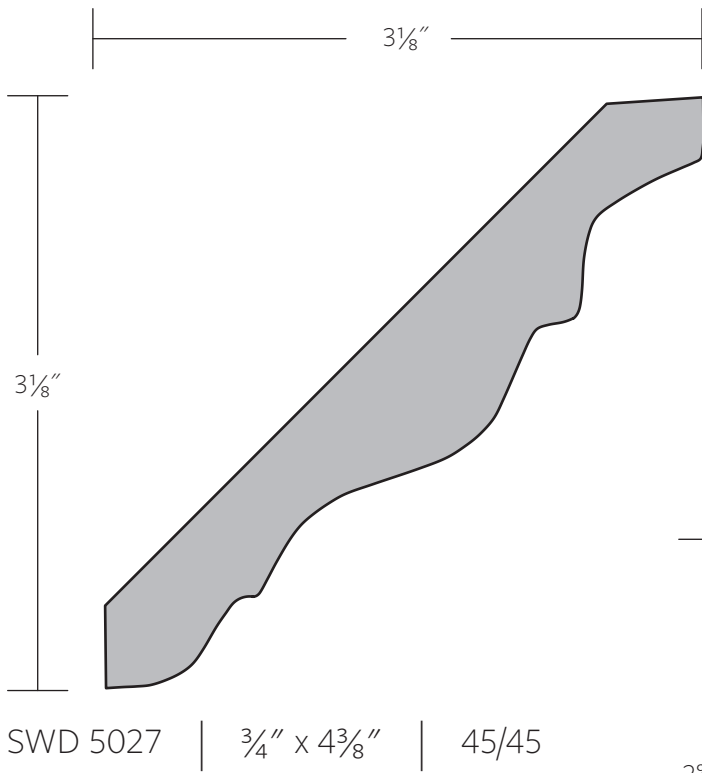


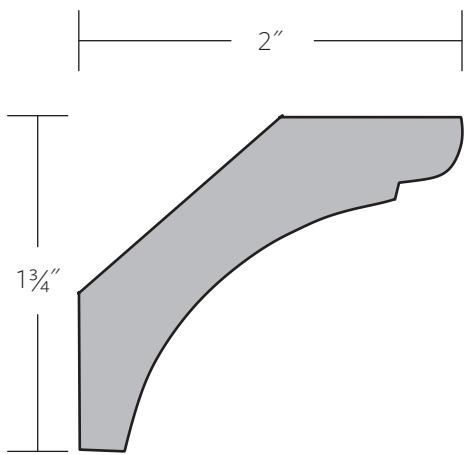


SWD 5024 | $1\frac{3}{16}'' \times 5\frac{13}{16}''$ | 38/52

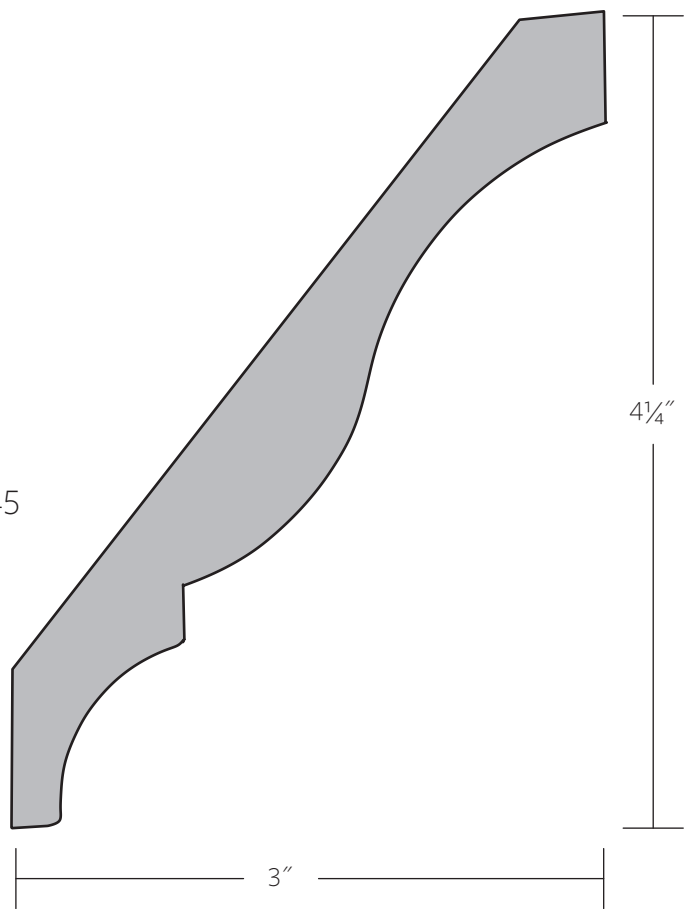


SWD 5025 | $\frac{3}{4}'' \times 4\frac{1}{8}''$ | 45/45

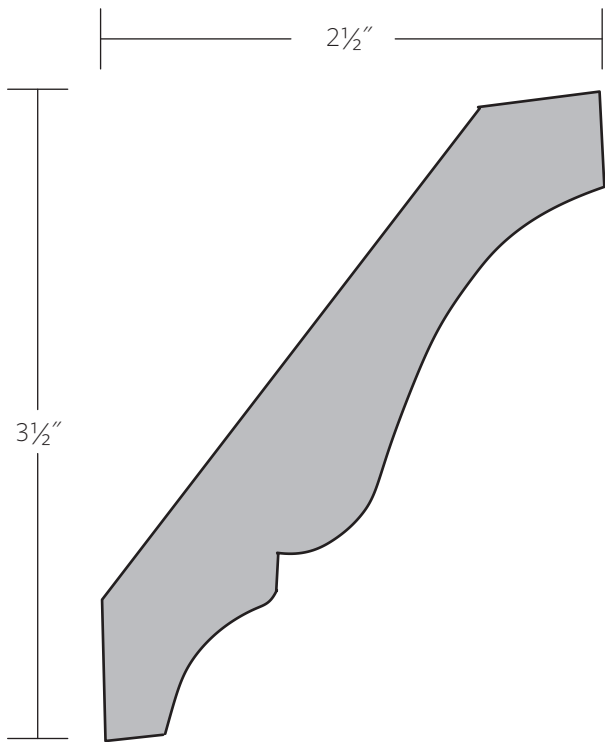




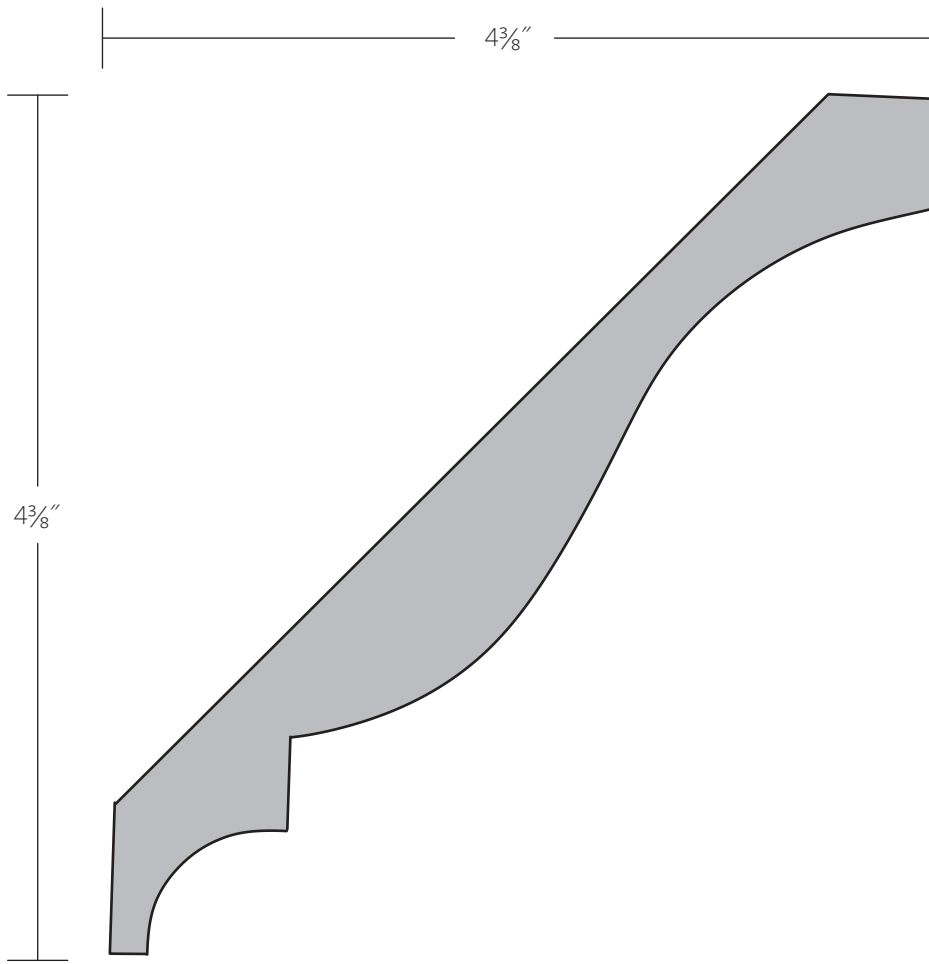
SWD 5030 | $\frac{3}{4}'' \times 2\frac{1}{2}''$ | 45/45



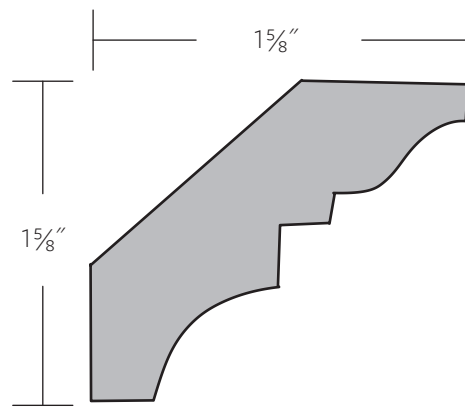
SWD 5031 | $1\frac{1}{16}'' \times 5\frac{1}{4}''$ | 38/52



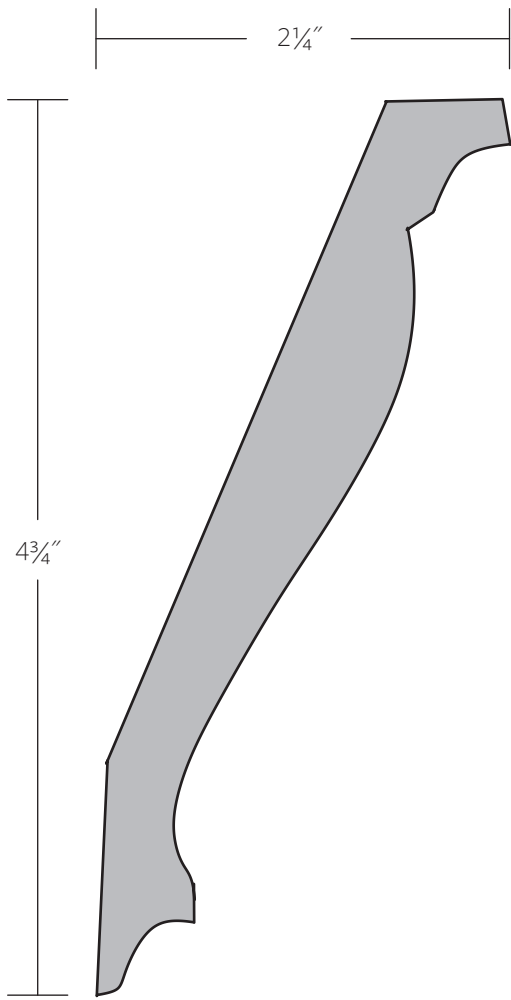
SWD 5032 | $1\frac{3}{16}'' \times 4\frac{1}{4}''$ | 38/52



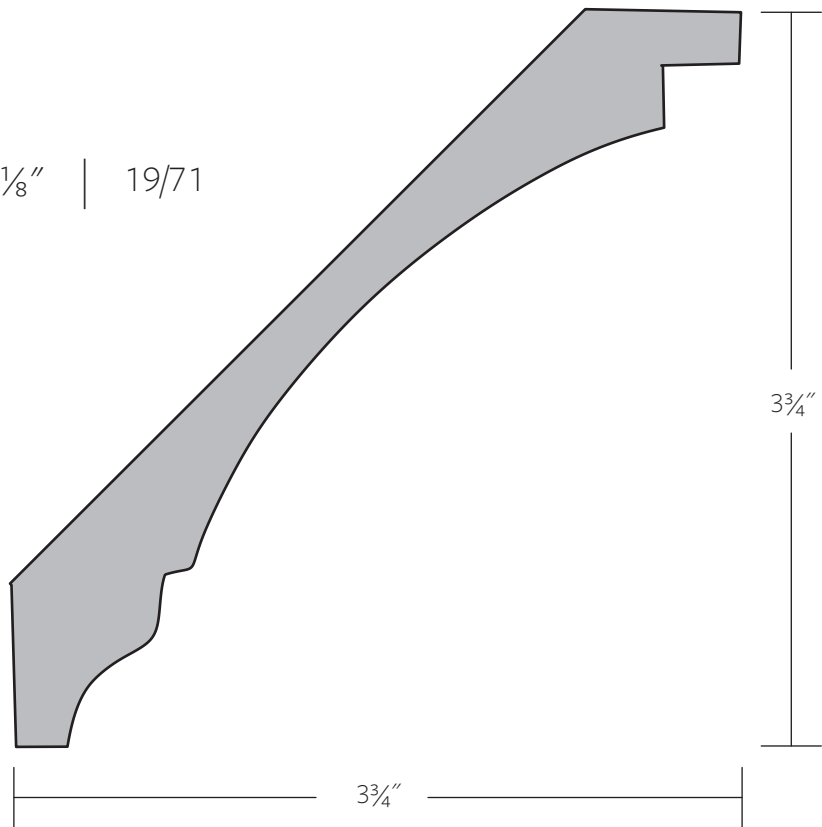
SWD 5033 | $1\frac{3}{16}$ " x $6\frac{3}{16}$ " | 45/45



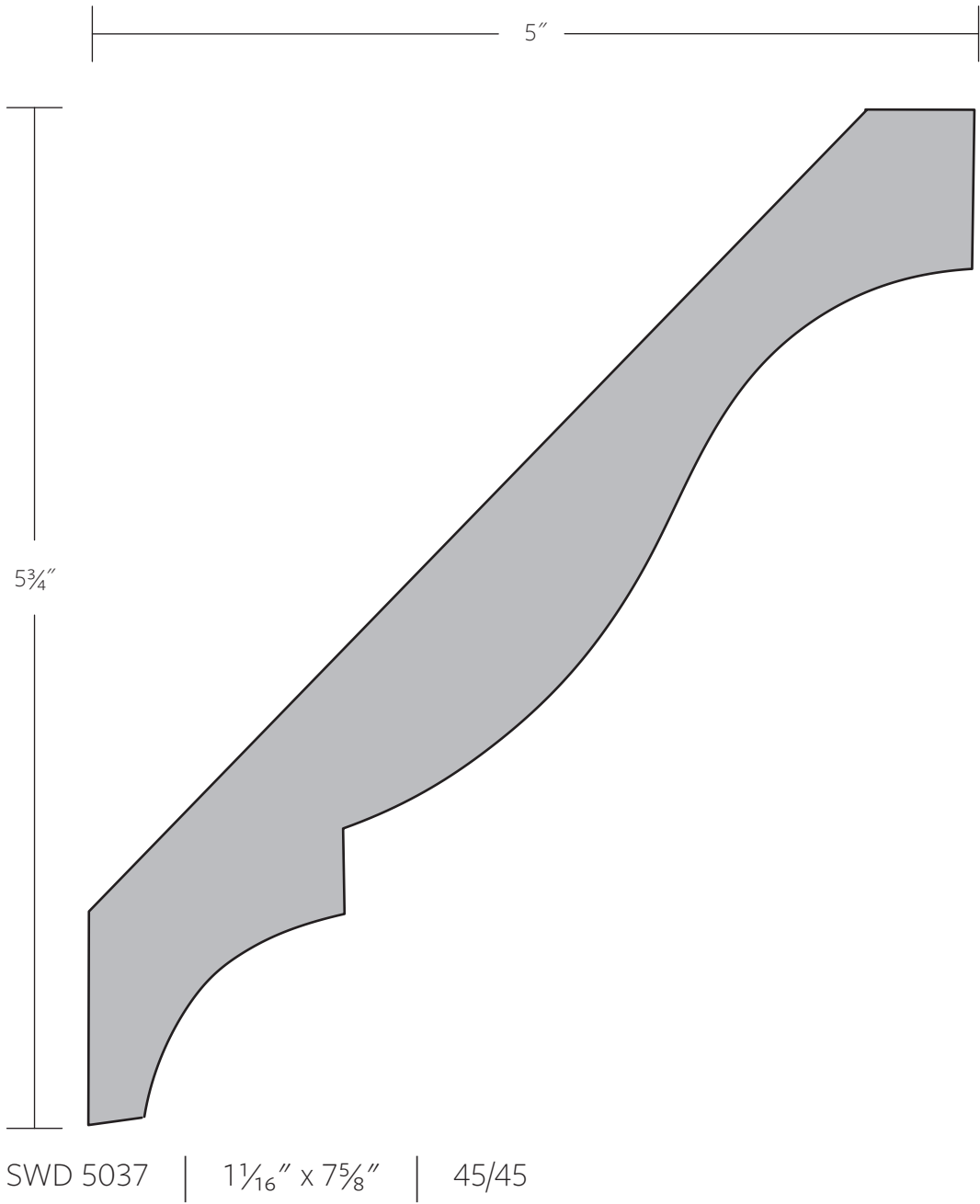
SWD 5034 | $\frac{3}{4}$ " x $2\frac{9}{16}$ " | 45/45

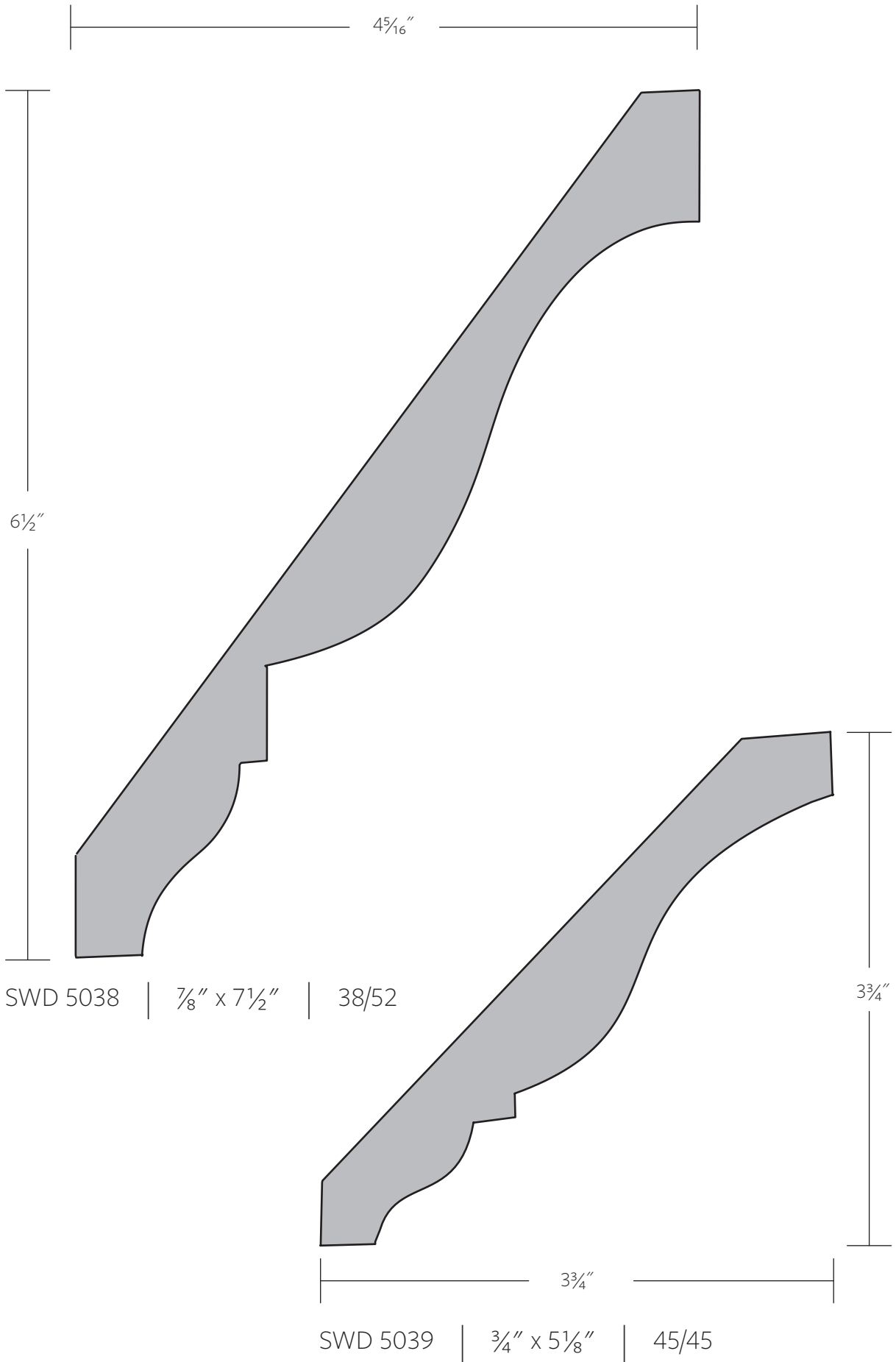


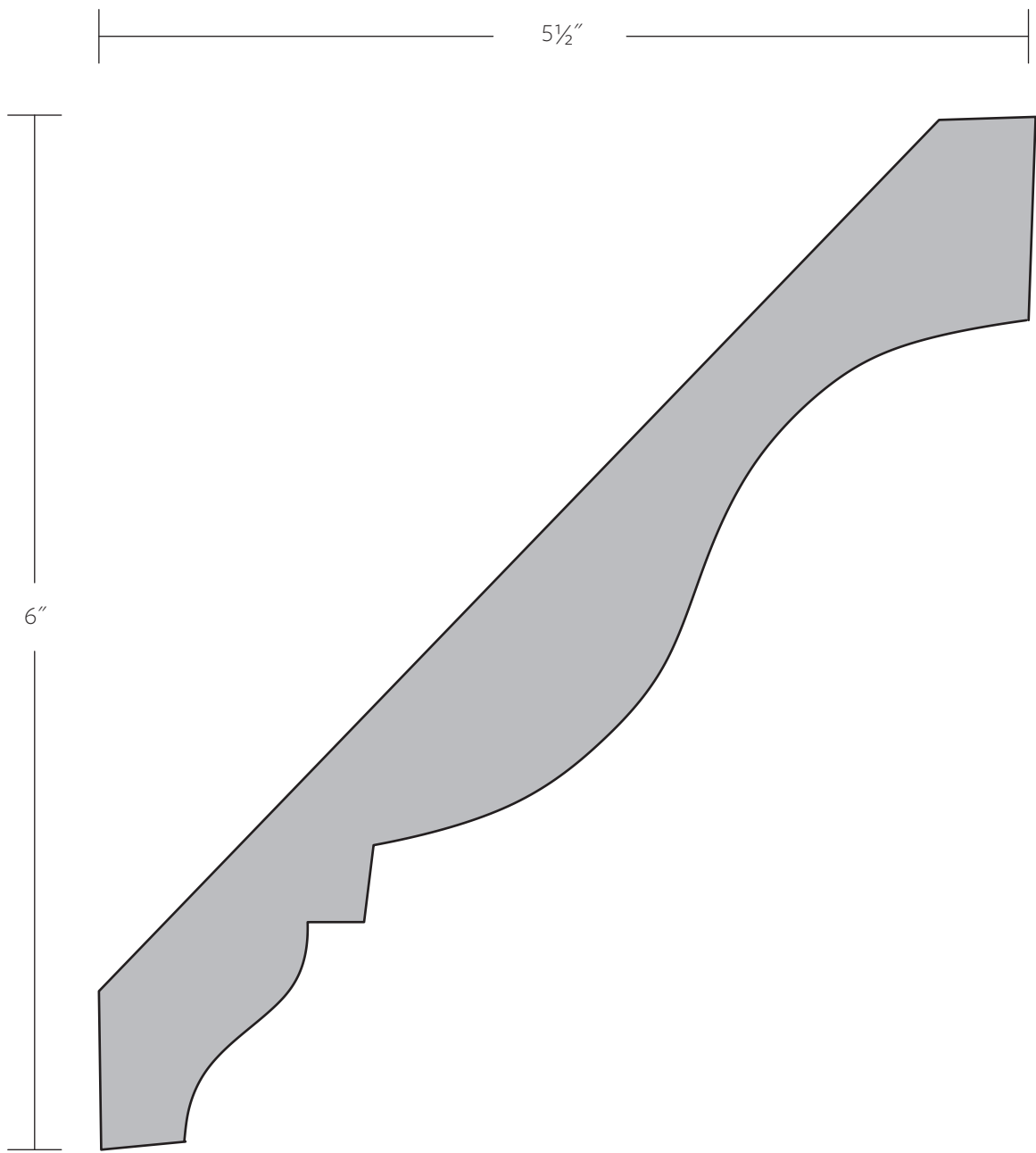
SWD 5035 | 3/4" x 5 1/8" | 19/71



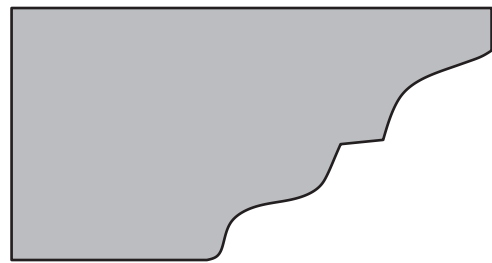
SWD 5036 | 1 3/16" x 5 3/8" | 45/45



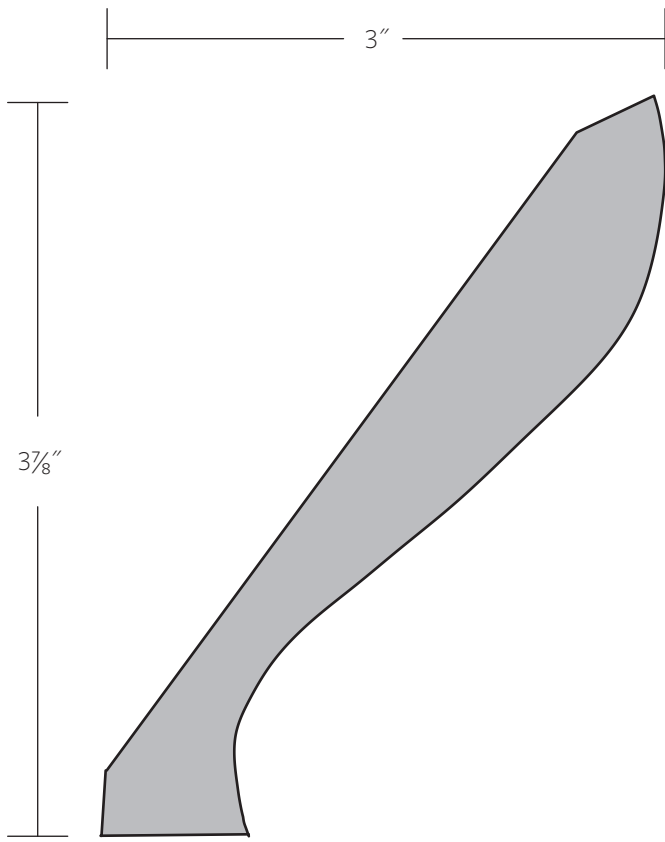




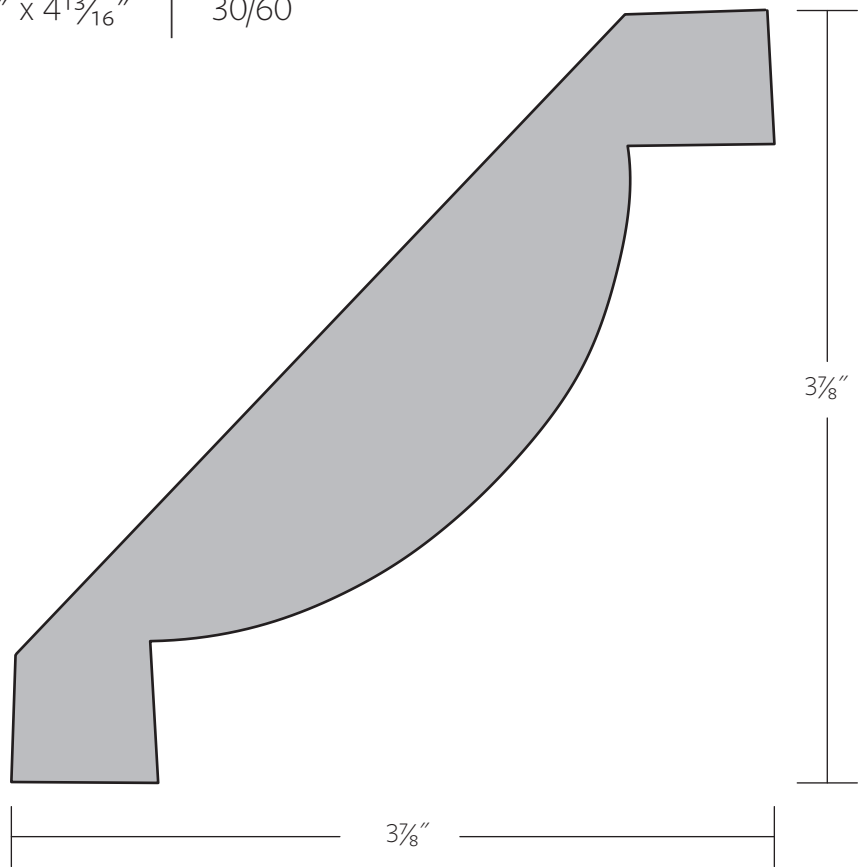
SWD 5040 | $1\frac{3}{16}$ " x $8\frac{1}{8}$ " | 45/45



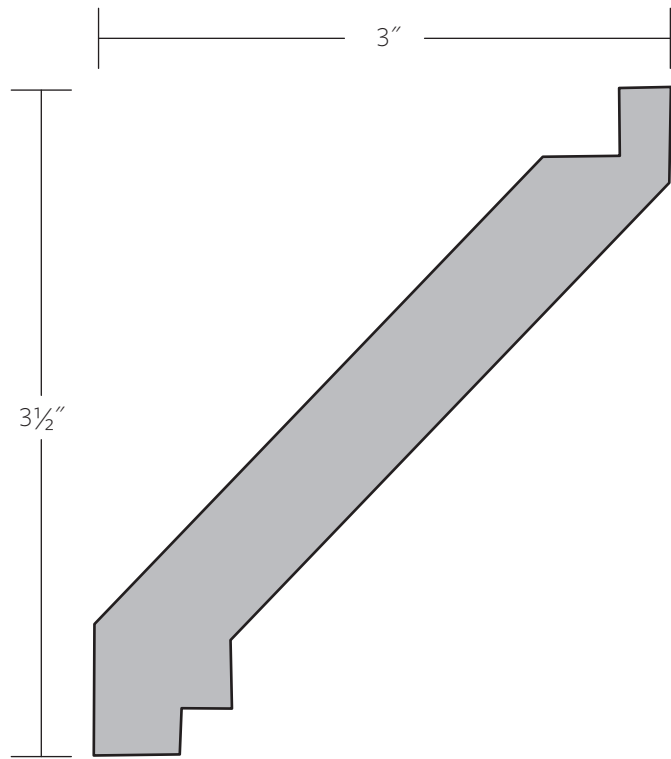
SWD 5041 | $1\frac{5}{16}$ " x $2\frac{1}{2}$ "



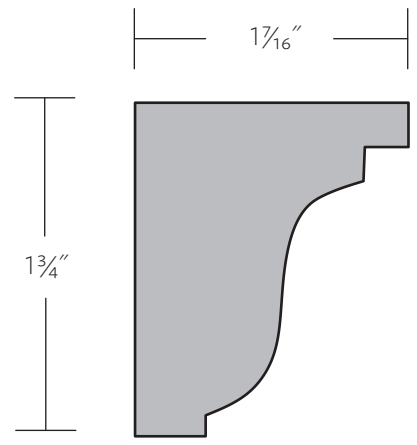
SWD 5042 | $1\frac{3}{16}$ " x $4\frac{13}{16}$ " | 30/60



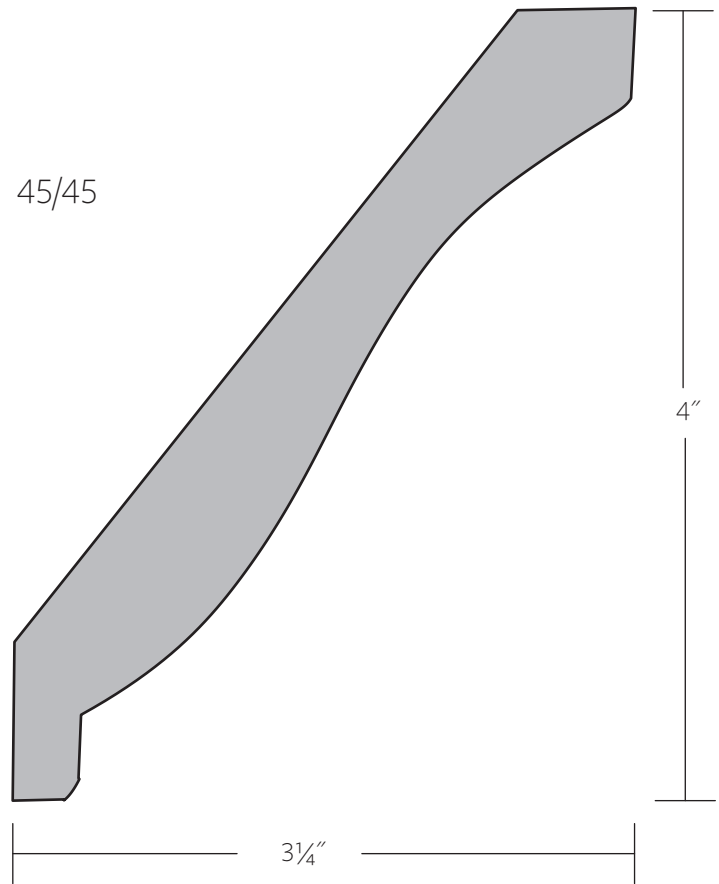
SWD 5043 | $1\frac{3}{16}$ " x $5\frac{5}{8}$ " | 45/45



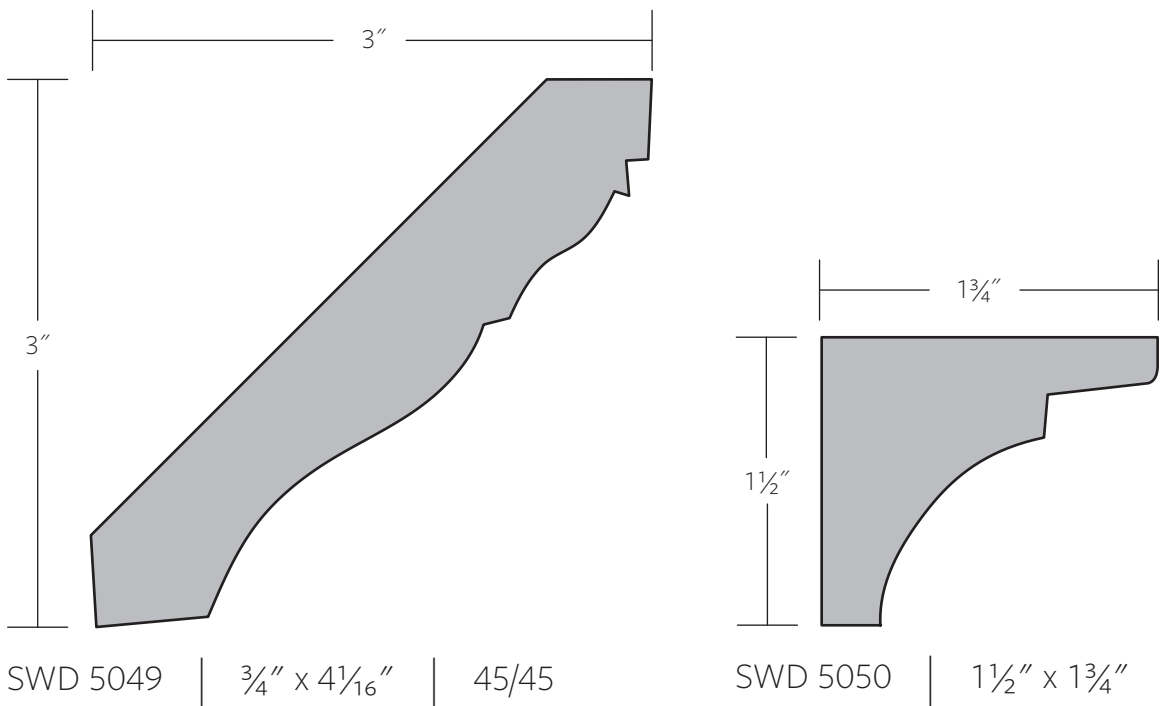
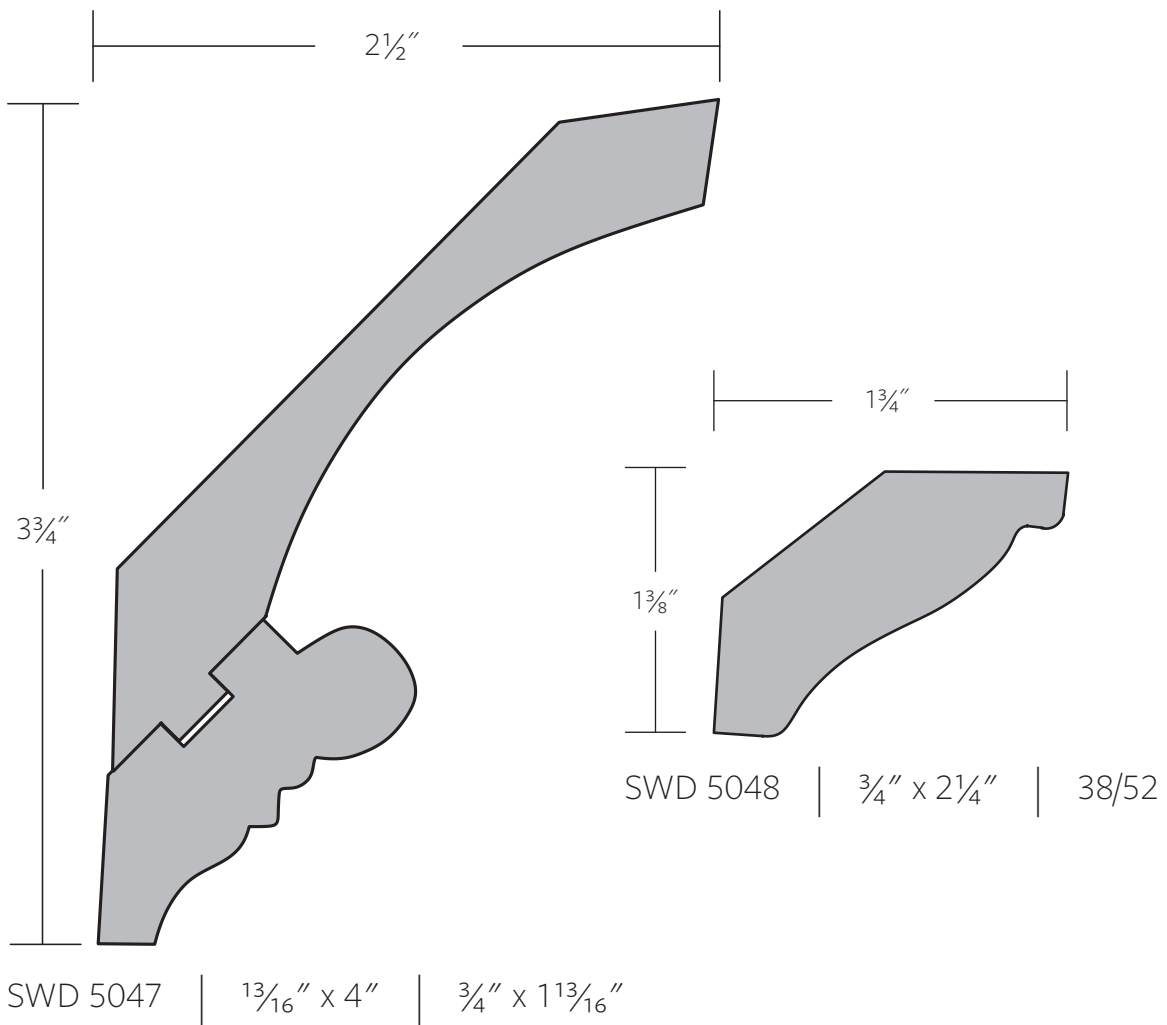
SWD 5045 | $1\frac{3}{16}'' \times 4\frac{9}{16}''$ | 45/45

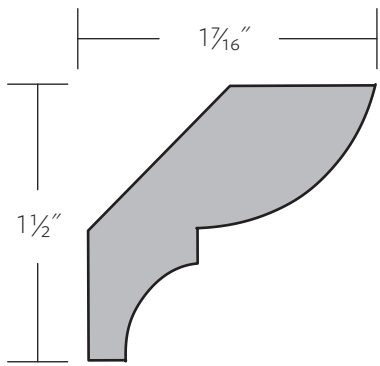


SWD 5044 | $1\frac{7}{16}'' \times 1\frac{3}{4}''$

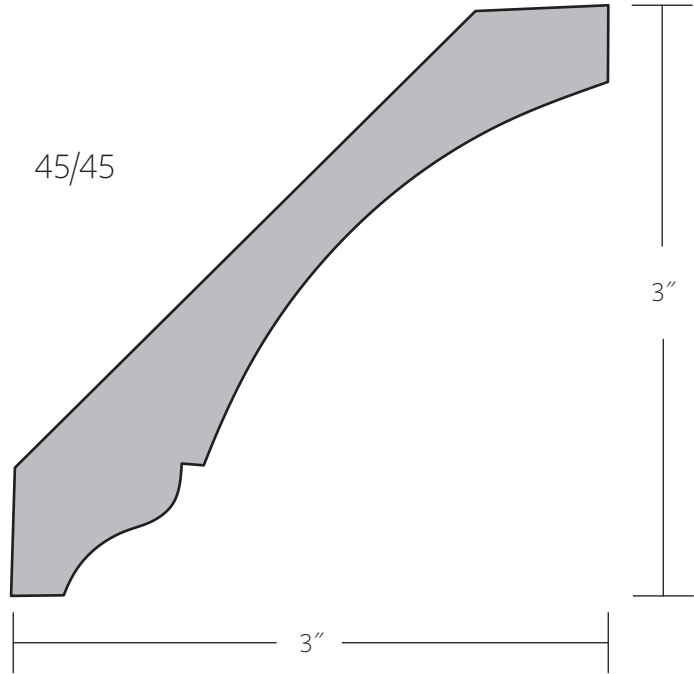


SWD 5046 | $\frac{3}{4}'' \times 5\frac{1}{4}''$ | 38/52

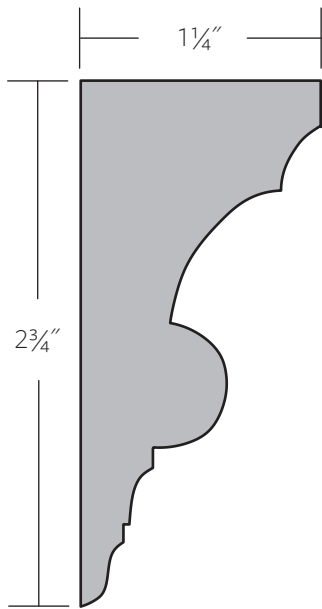




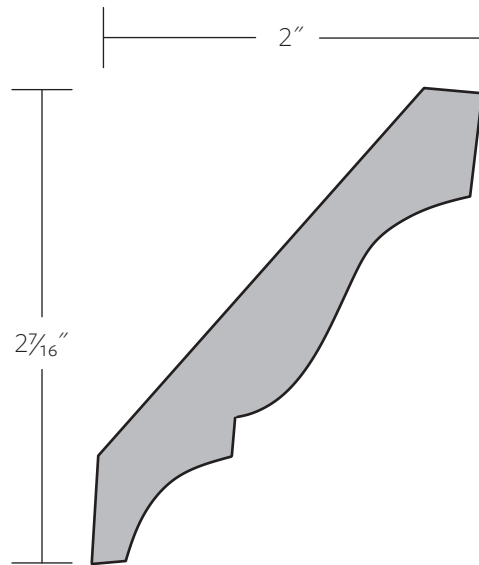
SWD 5051 | $1\frac{7}{16}'' \times 2\frac{1}{16}''$ | 45/45



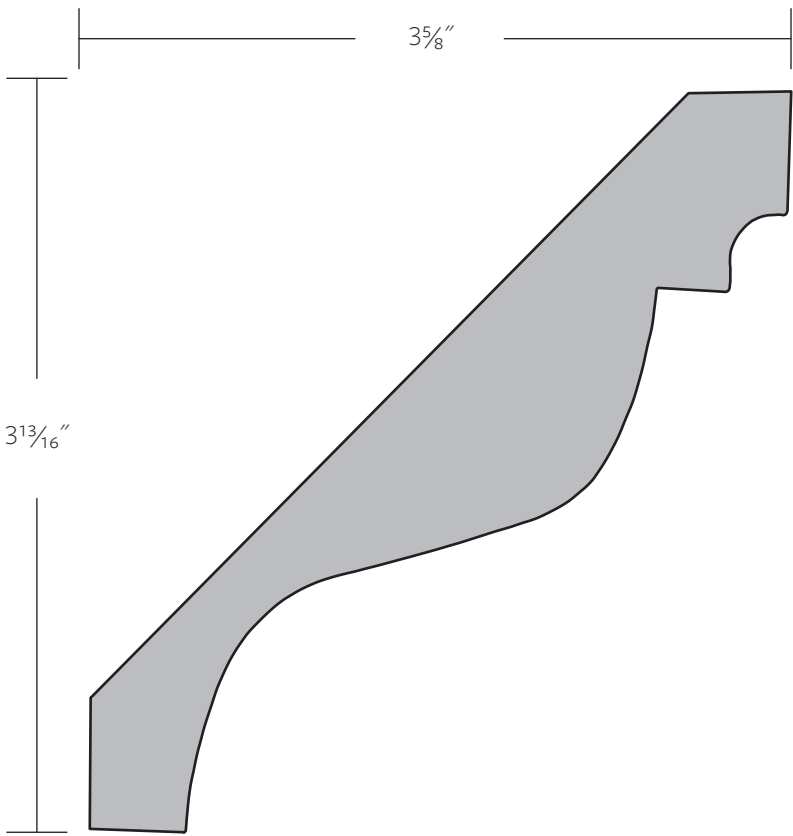
SWD 5052 | $\frac{3}{4}'' \times 4\frac{3}{8}''$ | 45/45



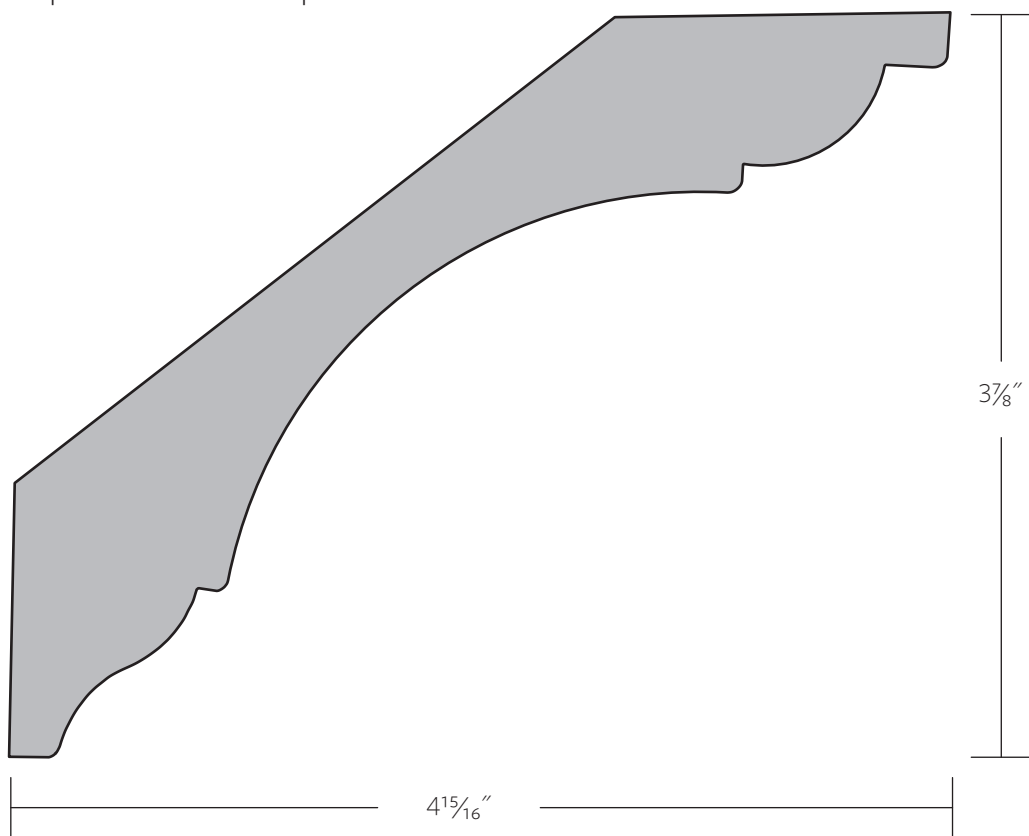
SWD 5053 | $1\frac{1}{4}'' \times 2\frac{3}{4}''$



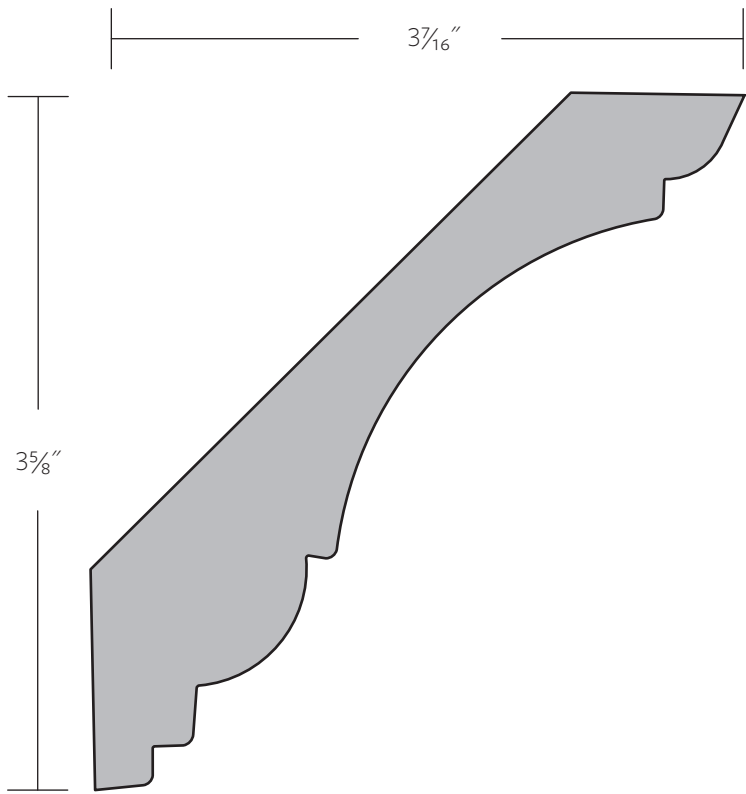
SWD 5054 | $\frac{9}{16}'' \times 3\frac{3}{16}''$ | 38/52



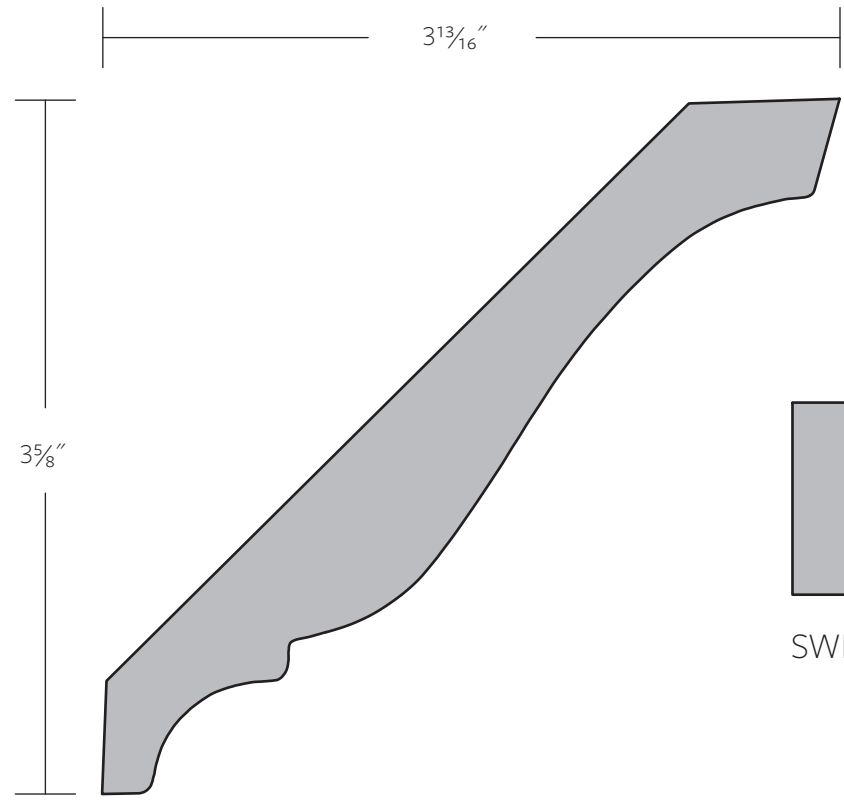
SWD 5055 | 1 1/16" x 5 1/4" | 45/45



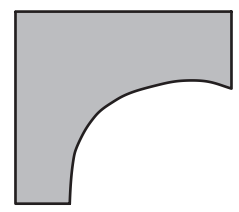
SWD 5056 | 1 1/4" x 6 1/4" | 38/52



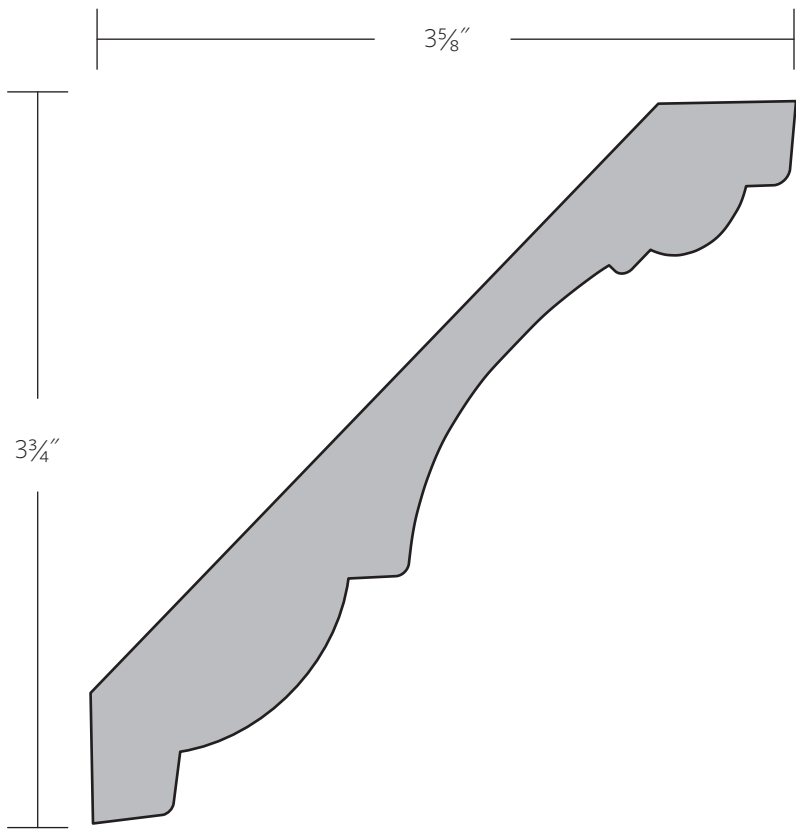
SWD 5057 | 1" x 4 15/16" | 45/45



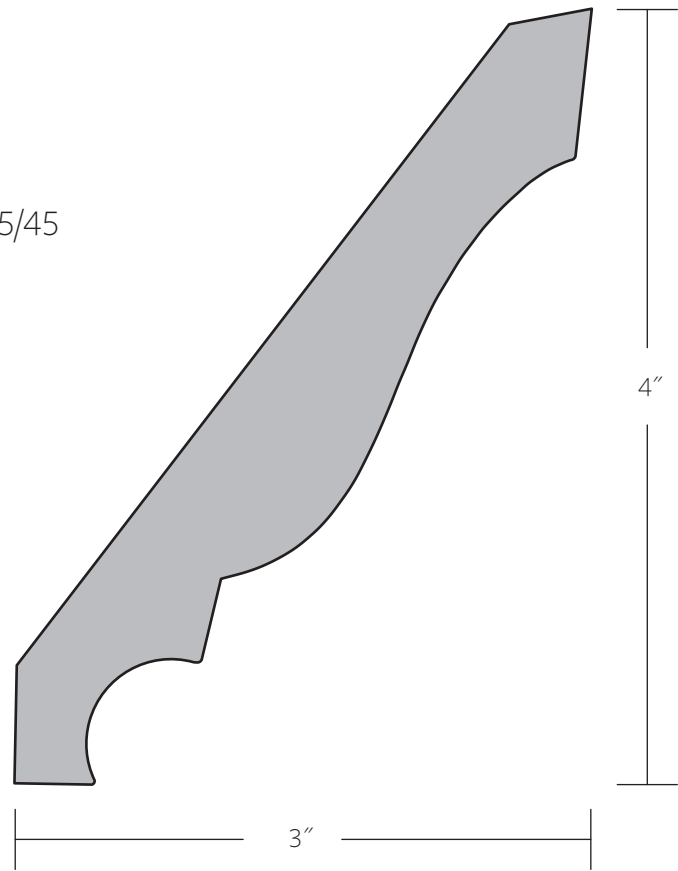
SWD 5058 | 3/4" x 5 1/8" | 45/45



SWD 5060 | 1 1/8" x 1"



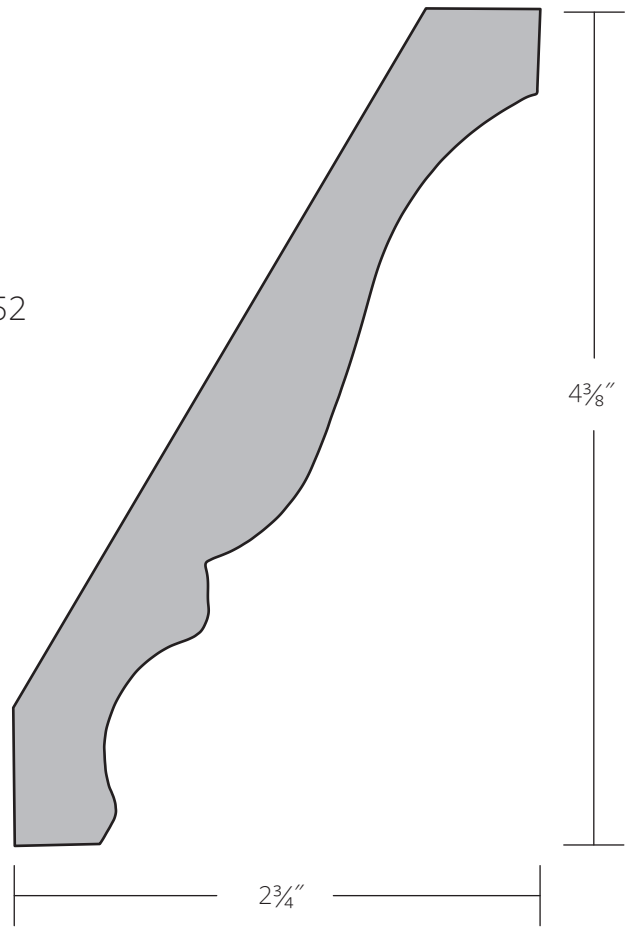
SWD 5059 | 3/4" x 5 1/4" | 45/45



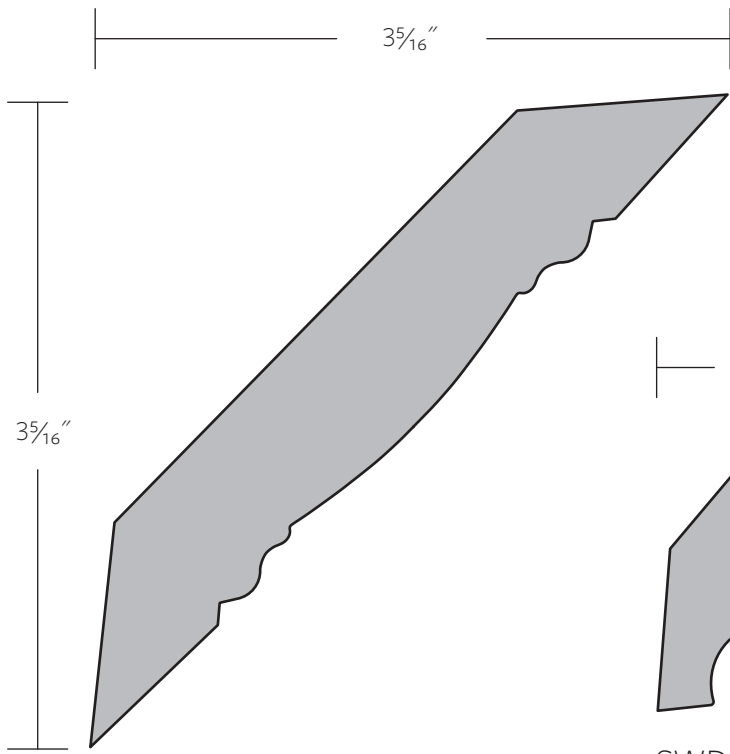
SWD 5061 | 1 3/16" x 5" | 38/52



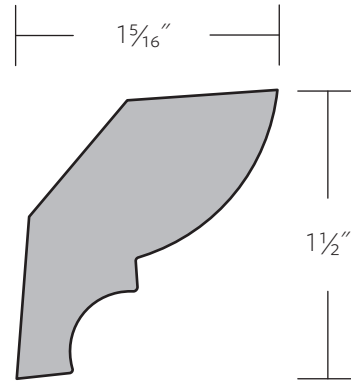
SWD 5062 | $1\frac{5}{8}'' \times 6\frac{1}{4}''$ | 38/52



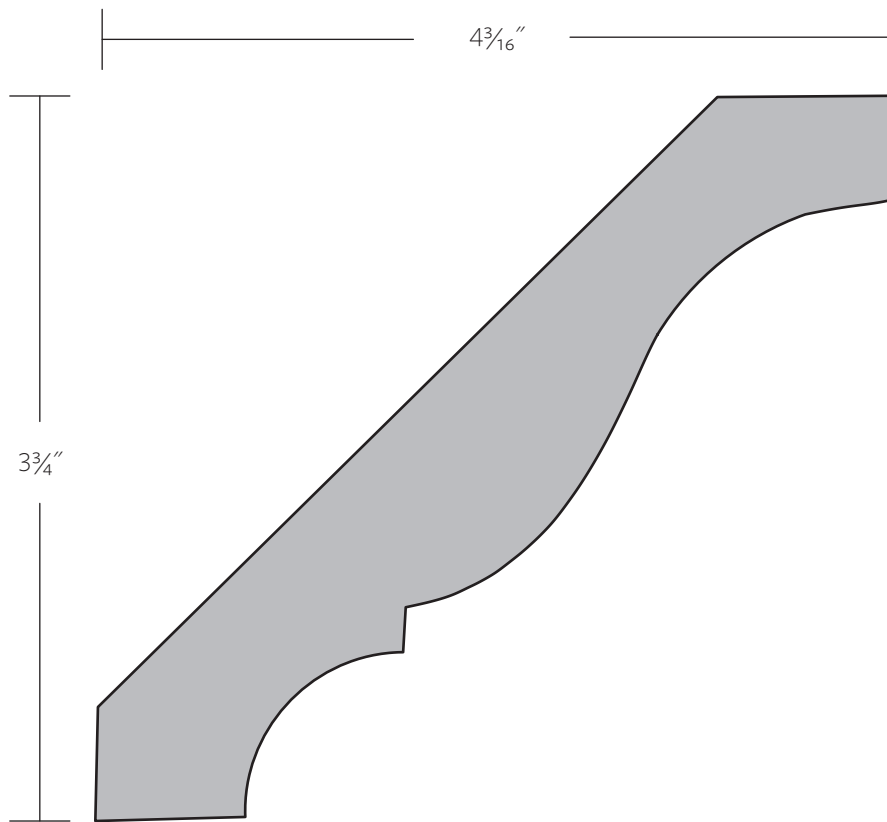
SWD 5063 | $\frac{3}{4}'' \times 5\frac{1}{8}''$ | 30/60



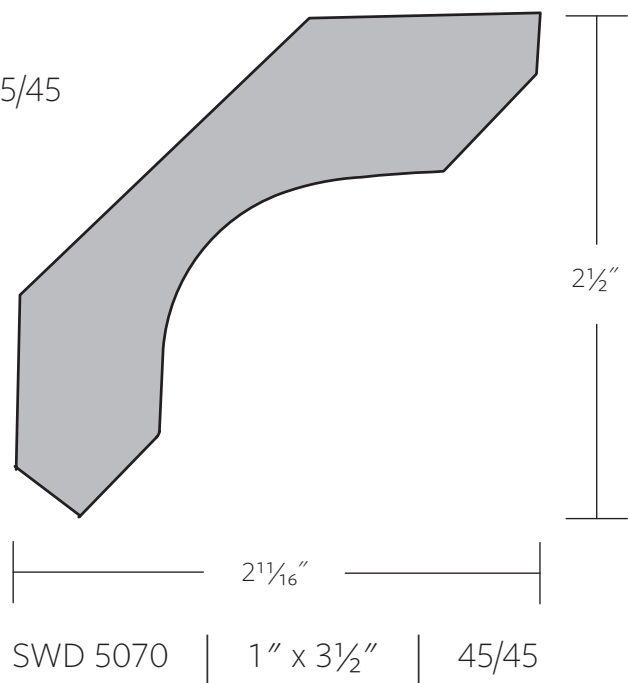
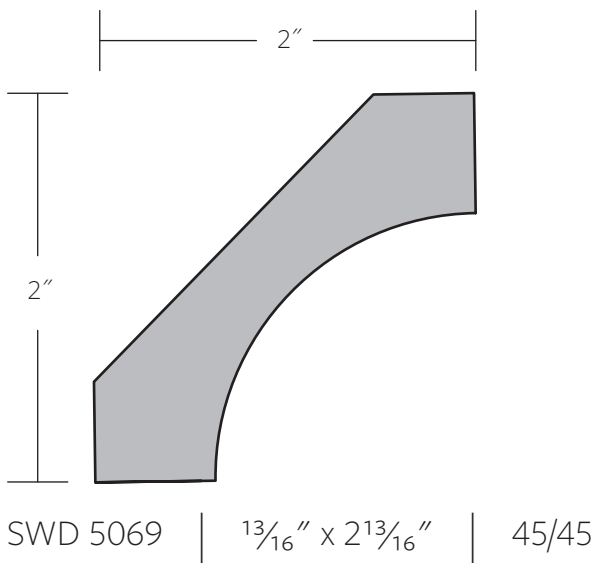
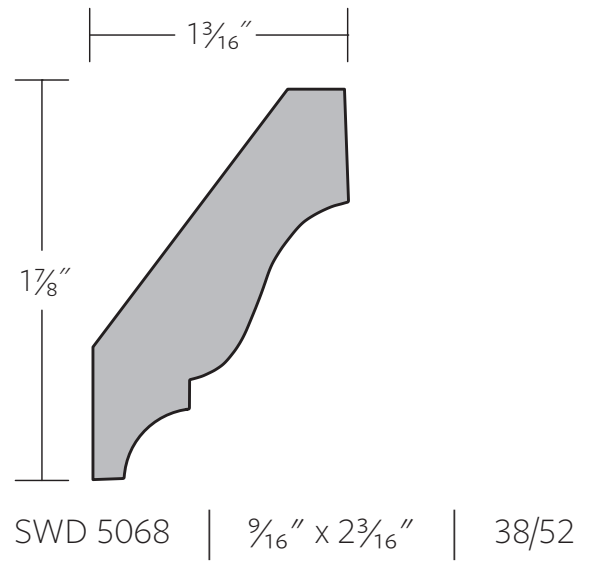
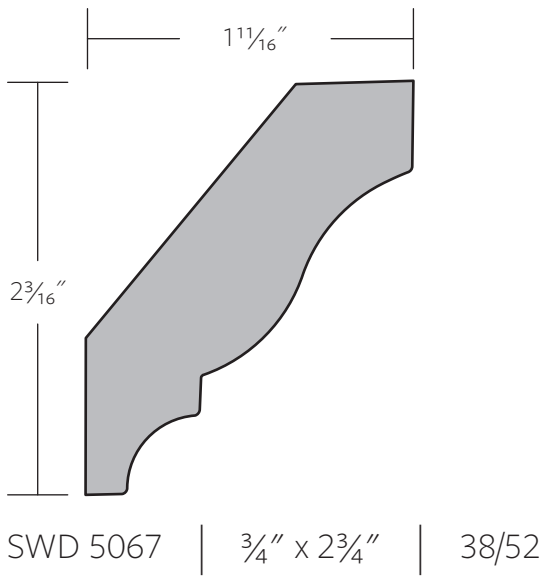
SWD 5064 | $\frac{3}{4}'' \times 4\frac{3}{4}''$ | 45/45

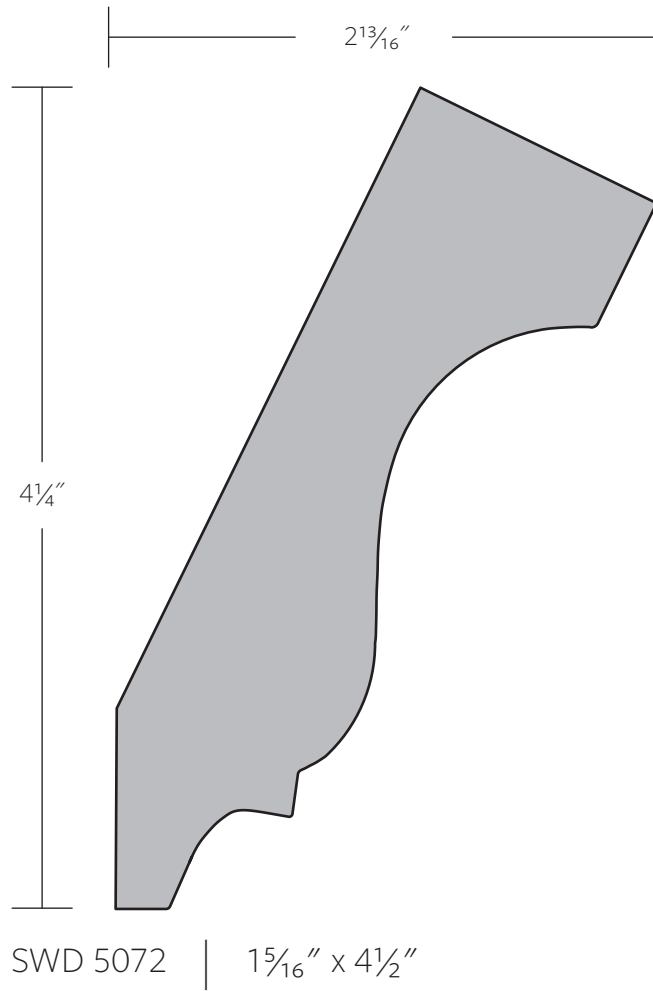
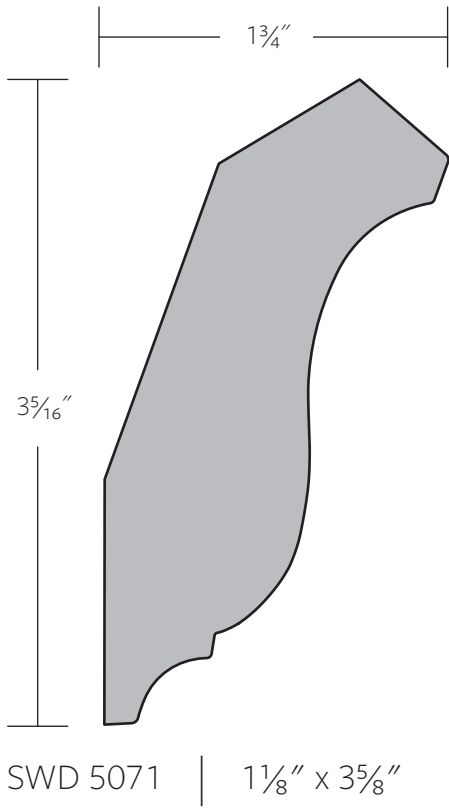


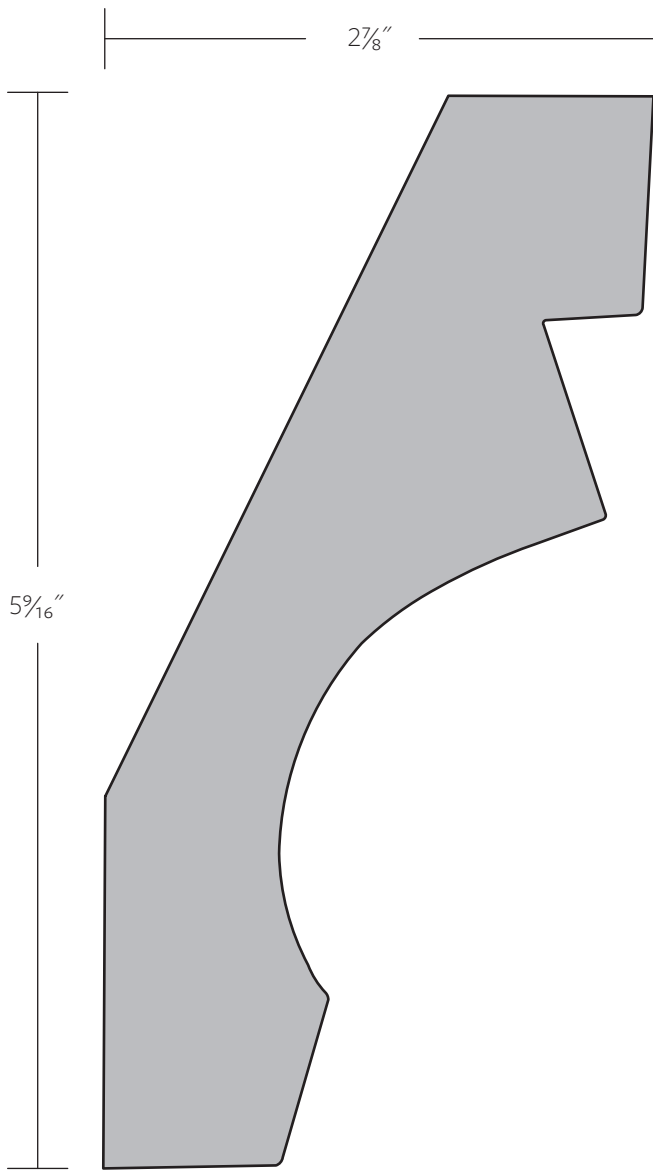
SWD 5065 | $\frac{3}{4}'' \times 1\frac{5}{16}''$ | 38/52



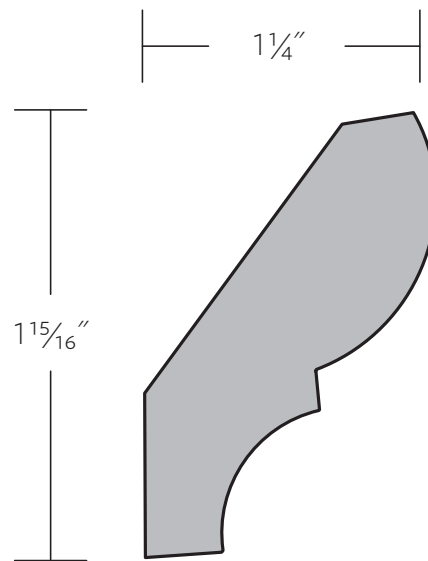
SWD 5066 | $1'' \times 5\frac{5}{8}''$ | 45/45



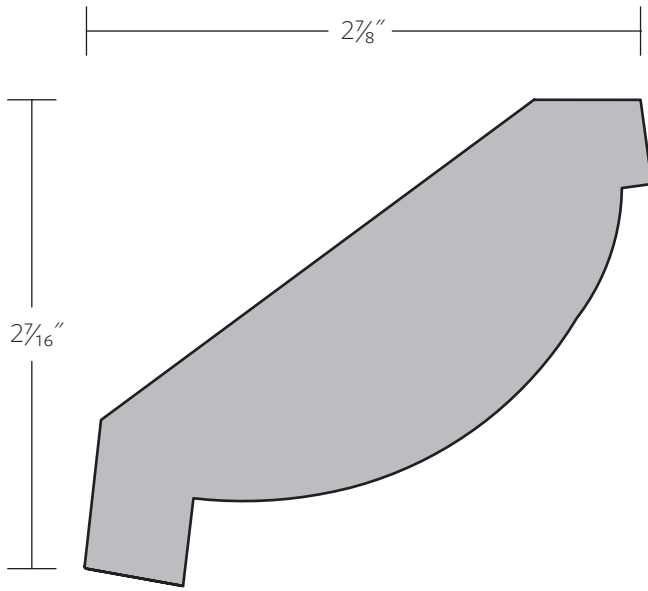




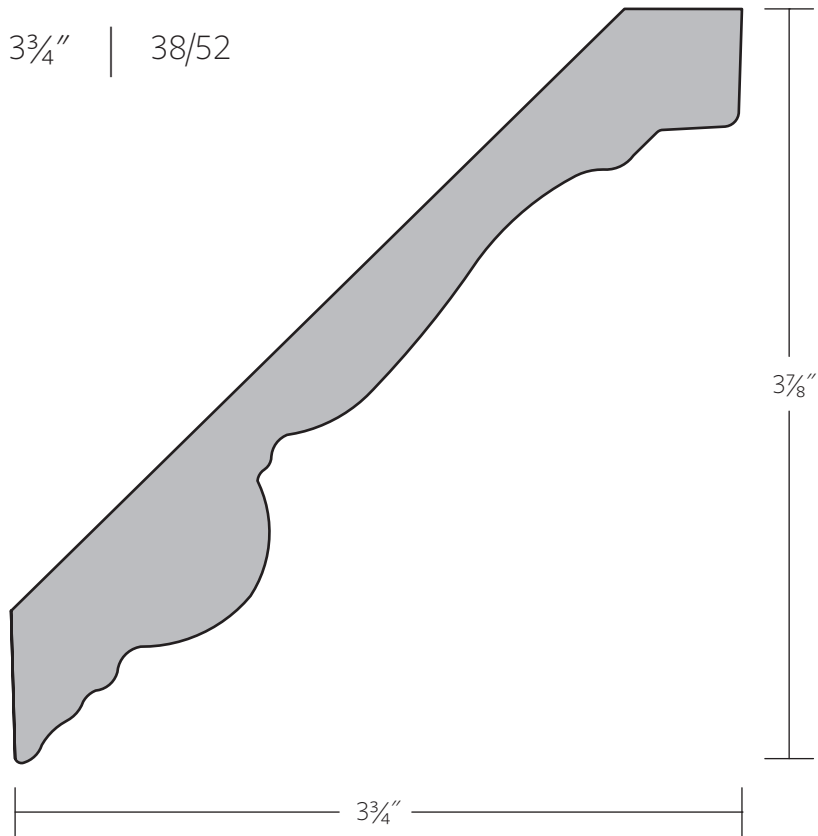
SWD 5073 | 1 3/4" x 6 1/4" | 30/60



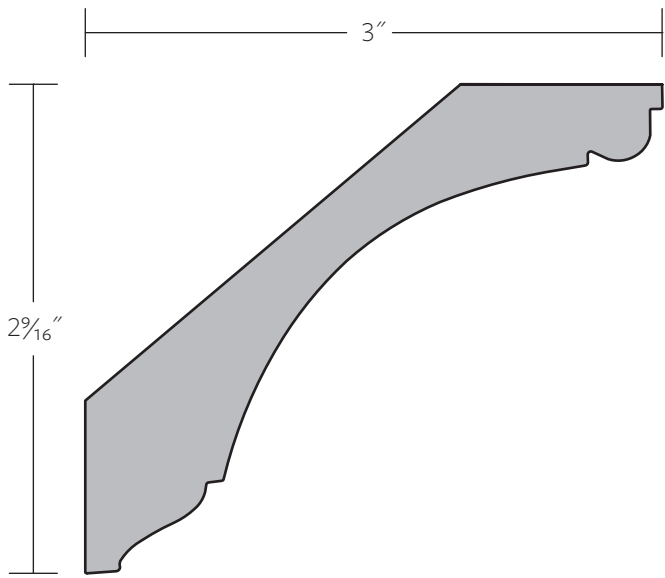
SWD 5074 | 1 1/16" x 2 1/4" | 38/52



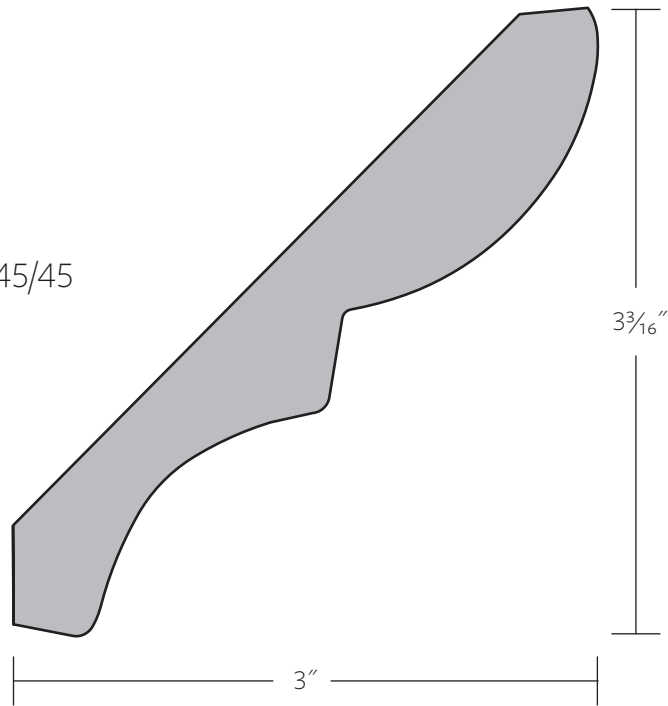
SWD 5075 | $1\frac{3}{16}$ " x $3\frac{3}{4}$ " | 38/52



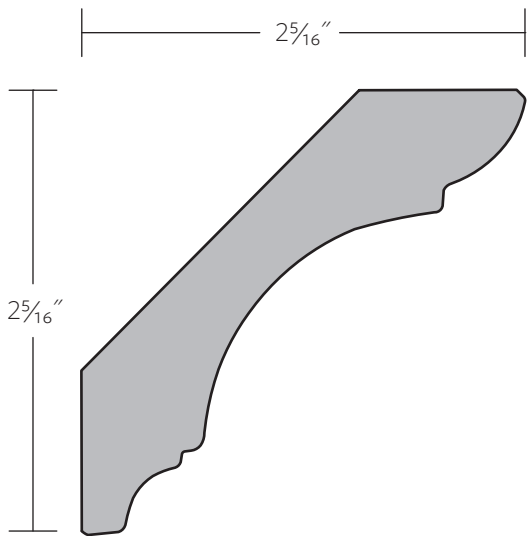
SWD 5076 | $1\frac{3}{16}$ " x $5\frac{3}{8}$ " | 45/45



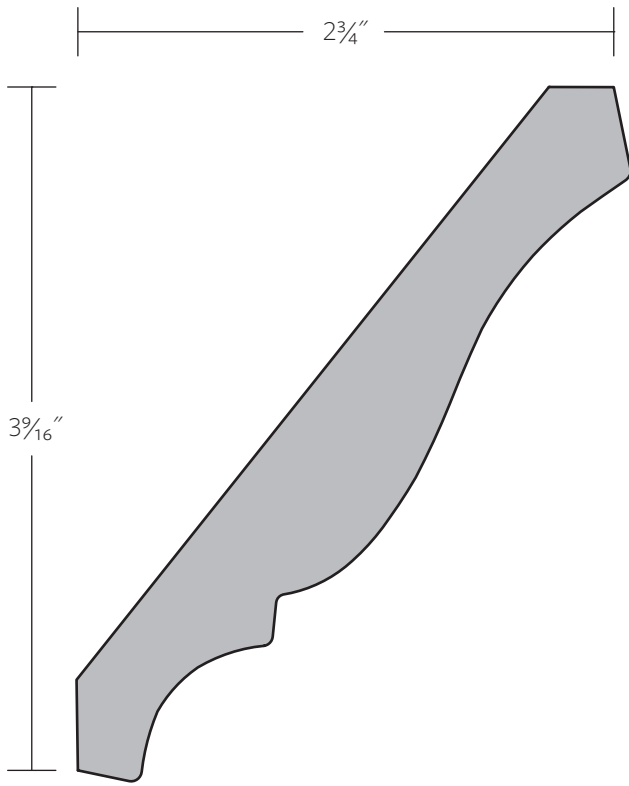
SWD 5077 | $\frac{7}{8}'' \times 3\frac{15}{16}''$ | 45/45



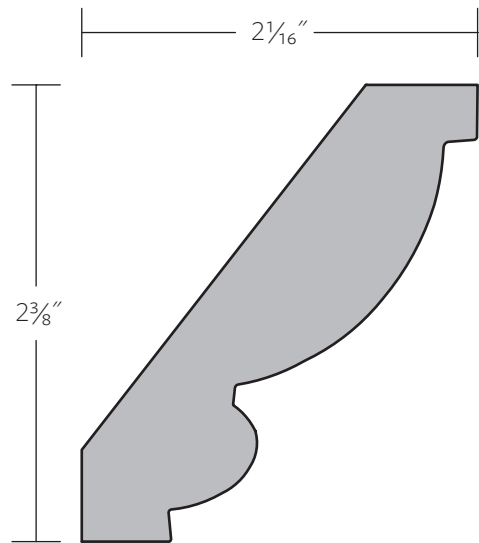
SWD 5078 | $\frac{3}{4}'' \times 4\frac{3}{8}''$ | 45/45



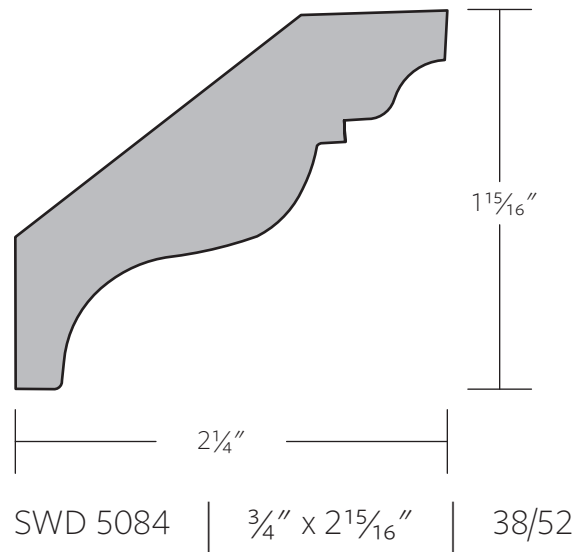
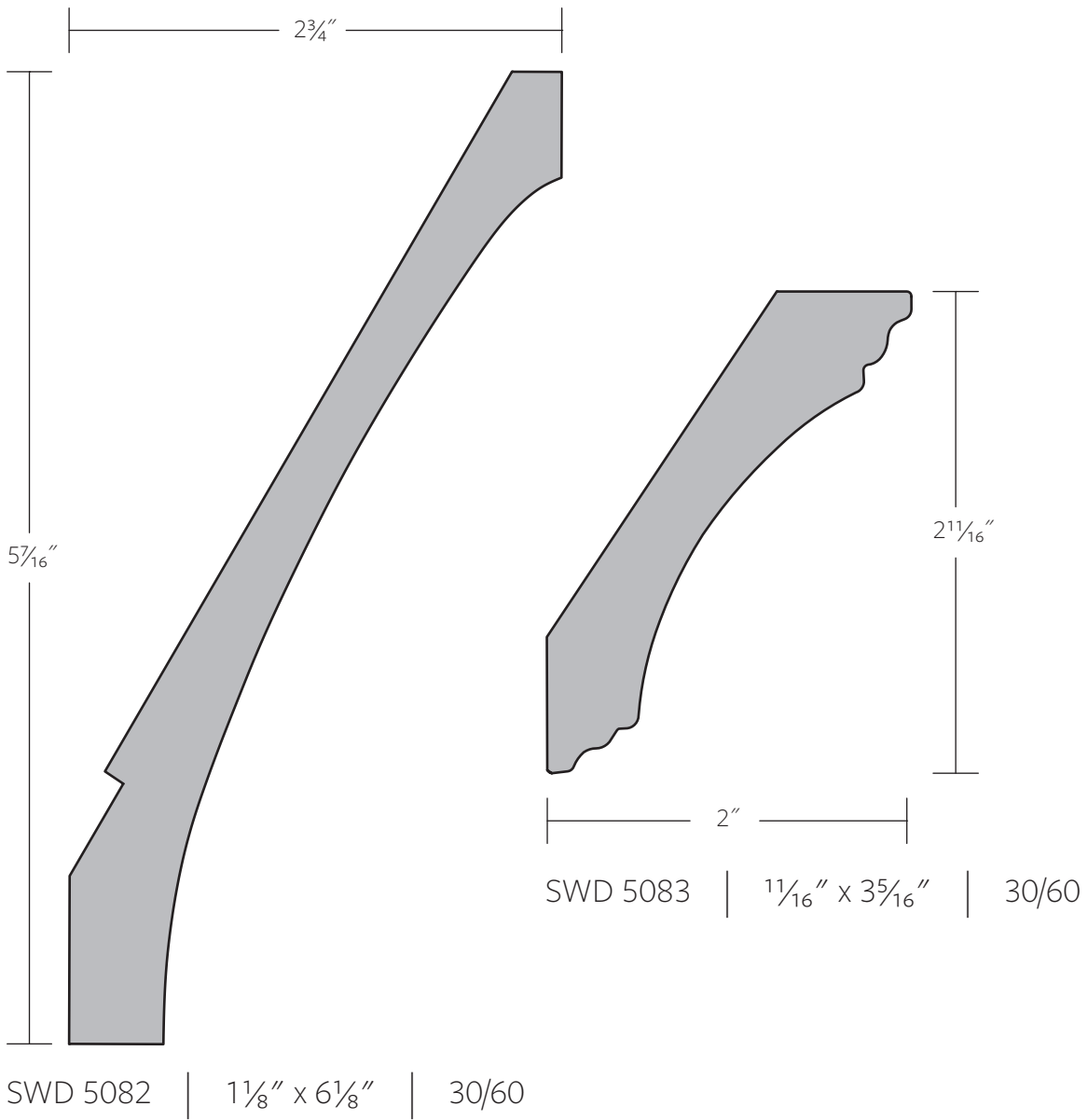
SWD 5079 | $\frac{3}{4}'' \times 3\frac{1}{4}''$ | 45/45

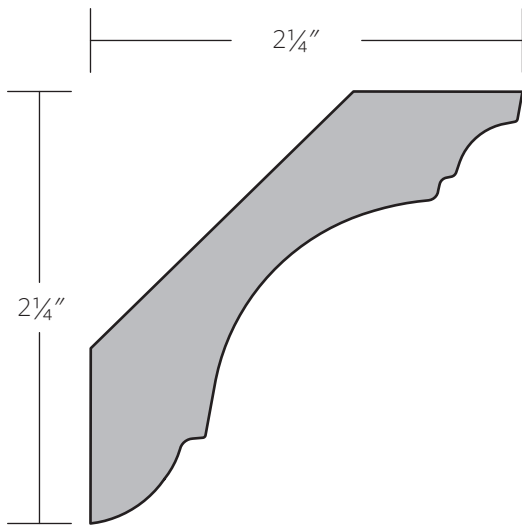


SWD 5080 | 3/4" x 4 1/2" | 38/52

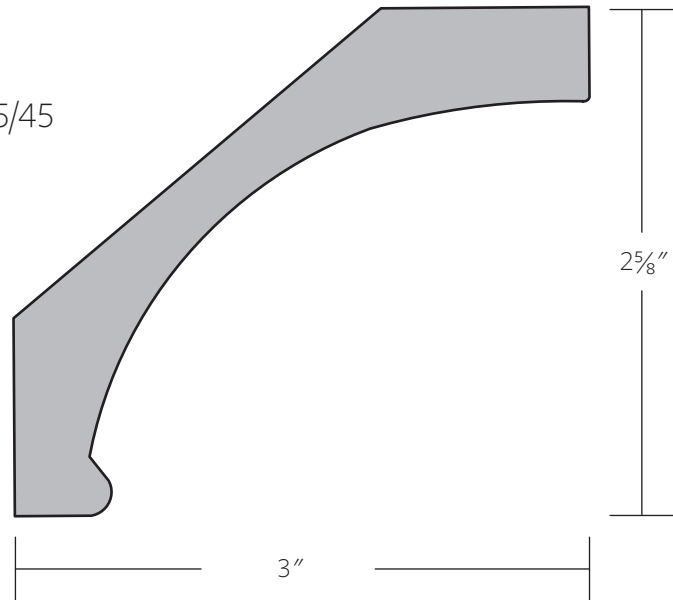


SWD 5081 | 3/4" x 3 1/8" | 38/52

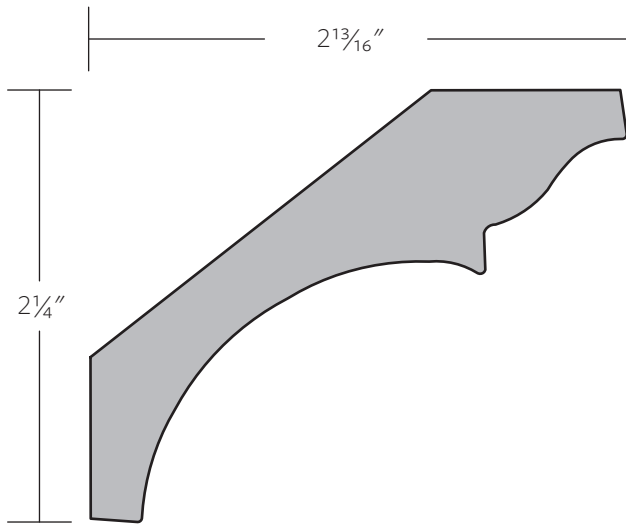




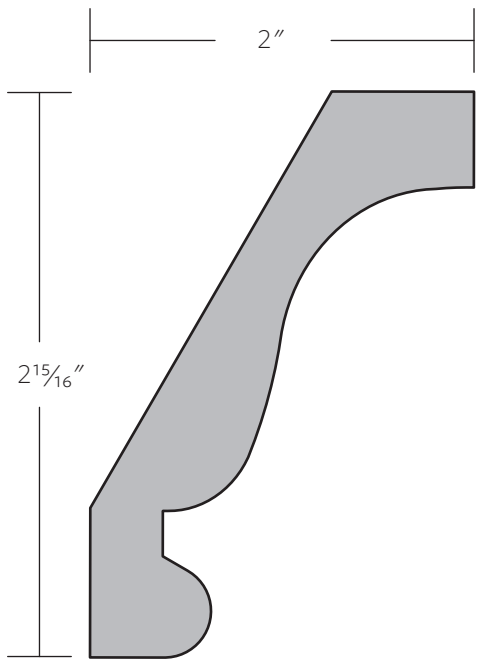
SWD 5085 | $\frac{3}{4}'' \times 3\frac{1}{4}''$ | 45/45



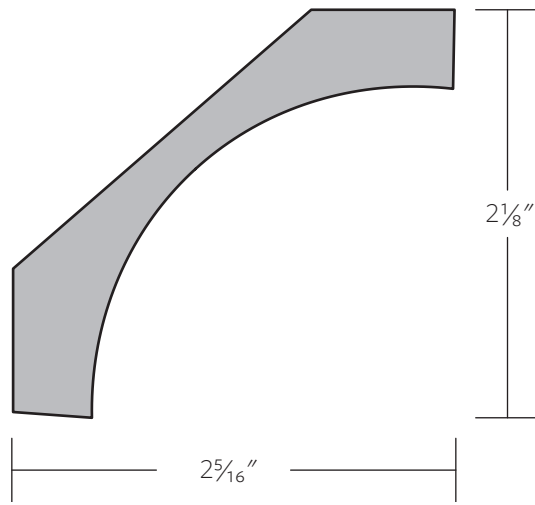
SWD 5086 | $1\frac{1}{16}'' \times 4''$ | 38/52



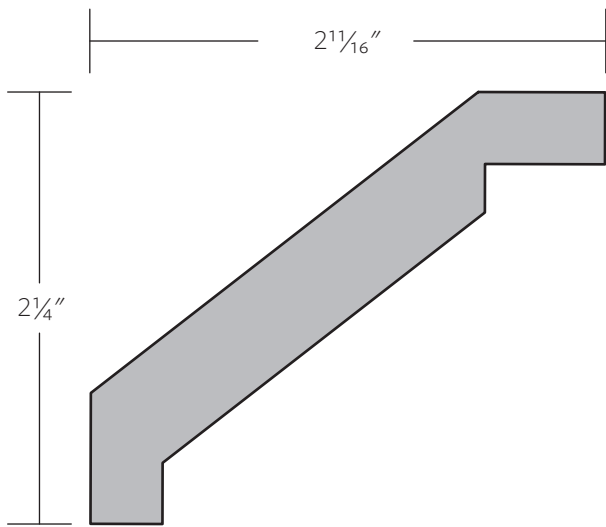
SWD 5087 | $1\frac{5}{16}'' \times 3\frac{5}{8}''$ | 38/52



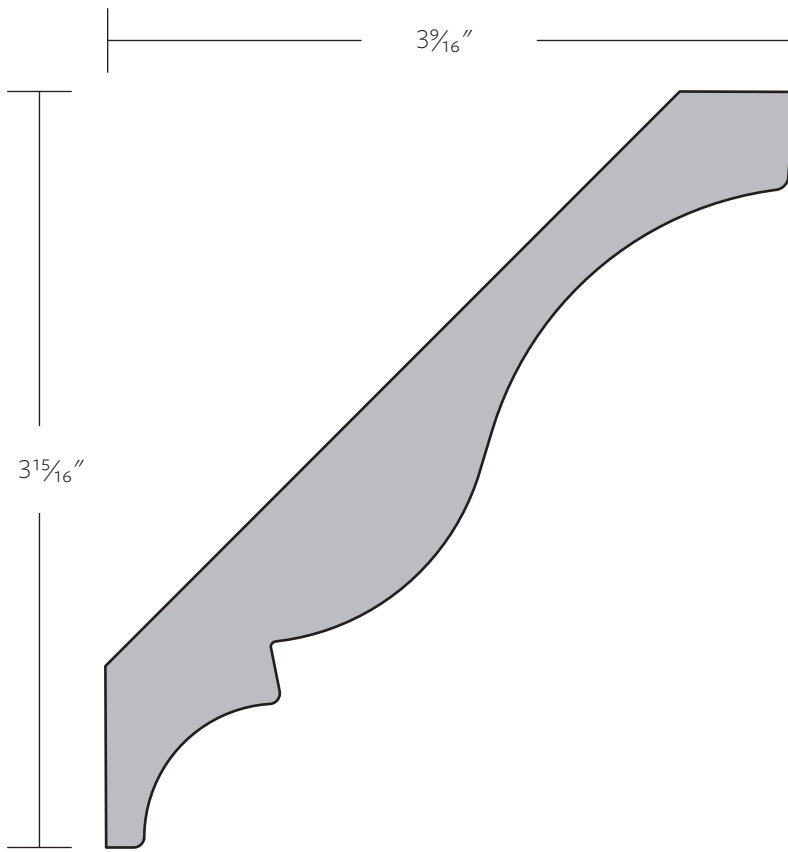
SWD 5088 | $\frac{7}{8}'' \times 3\frac{17}{32}''$ | 30/60



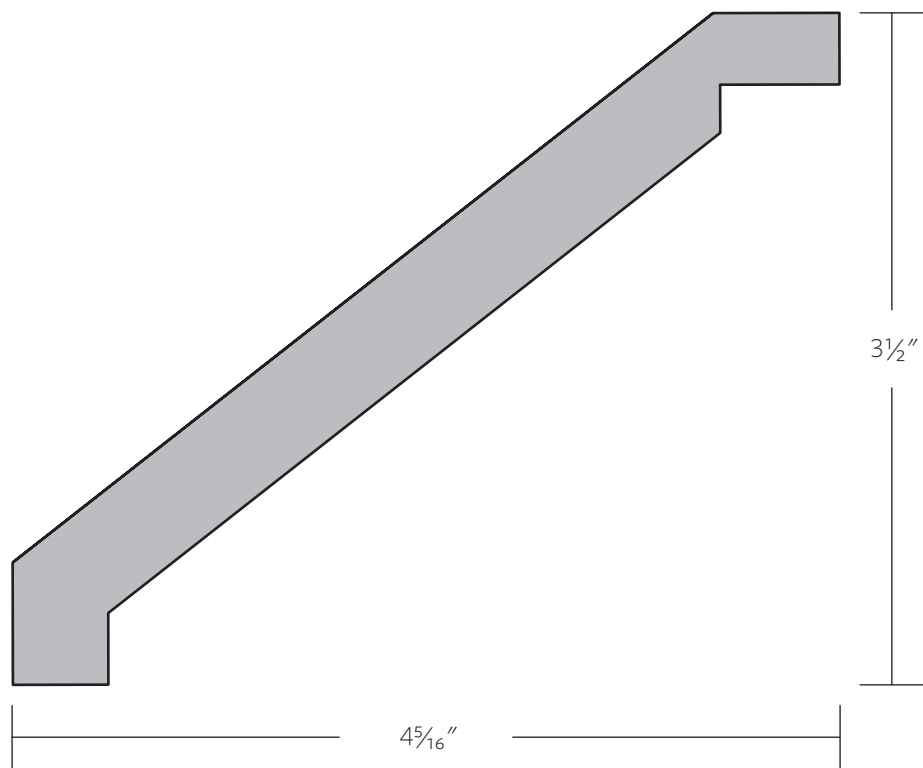
SWD 5089 | $1\frac{3}{16}'' \times 3\frac{1}{8}''$ | 45/45



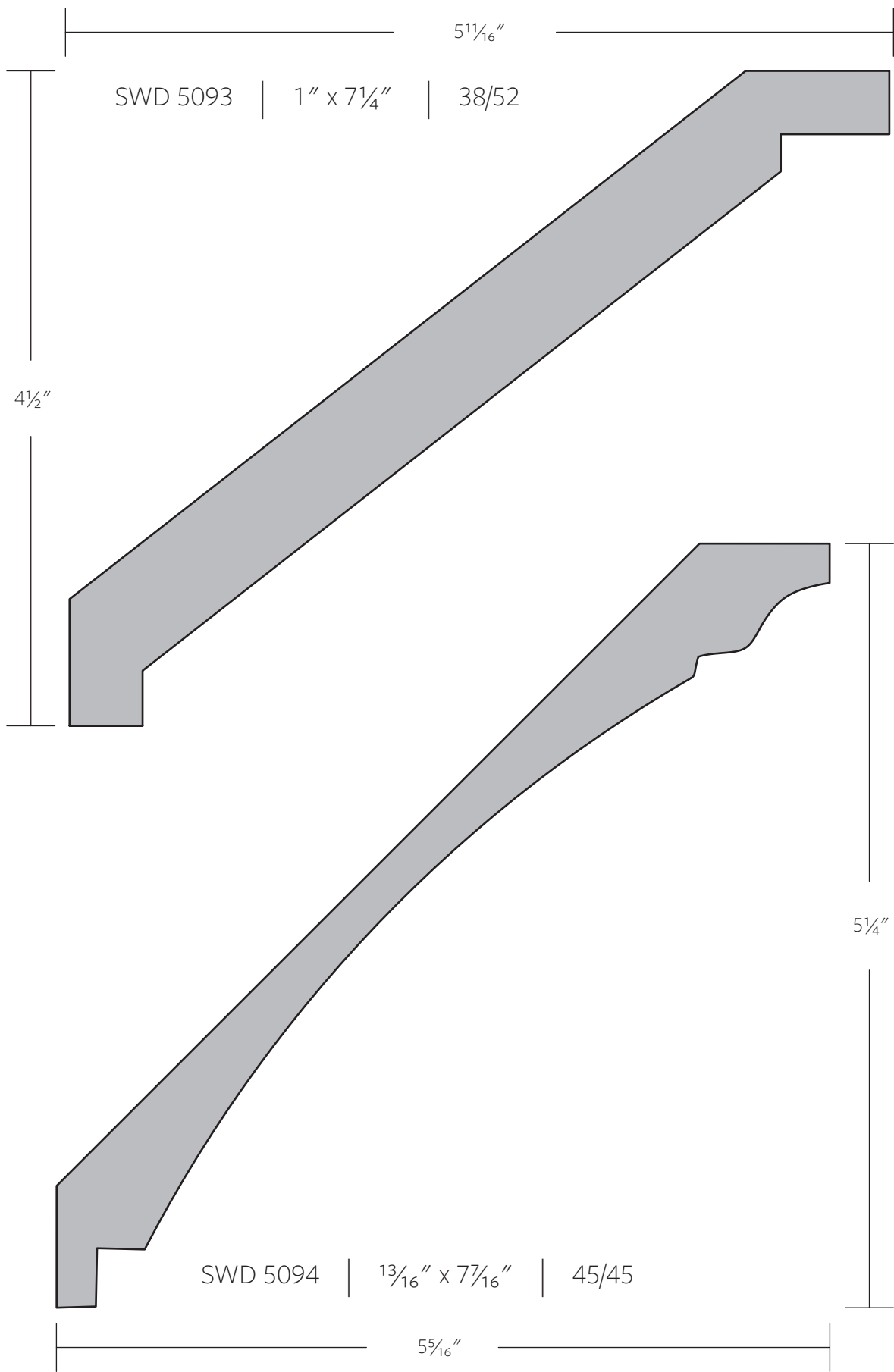
SWD 5091 | $\frac{3}{4}'' \times 3\frac{1}{2}''$ | 38/52

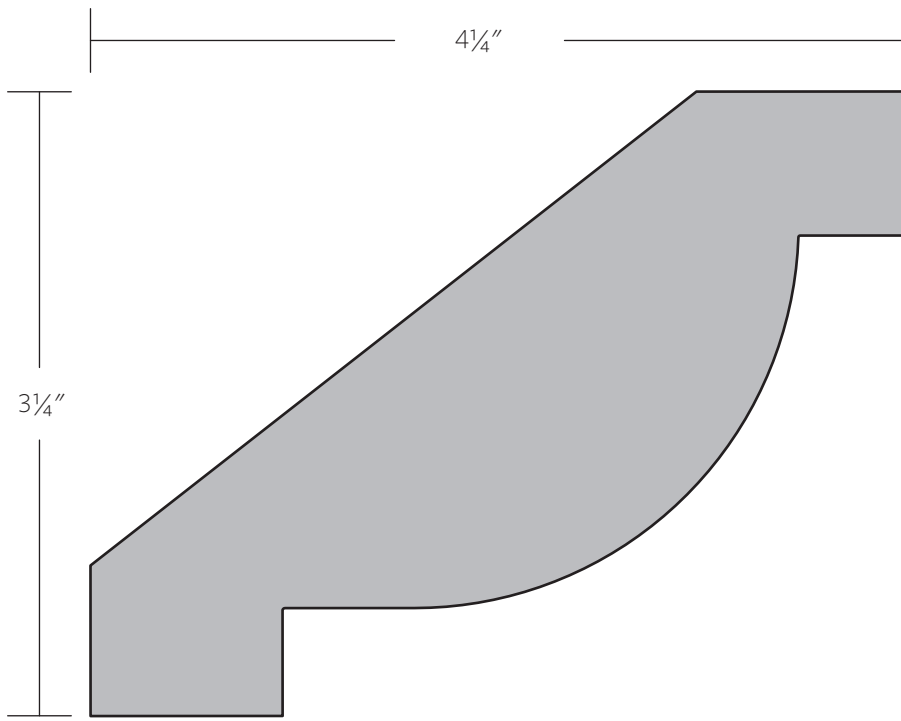


SWD 5090 | $1\frac{3}{16}$ " x $5\frac{5}{16}$ " | 45/45

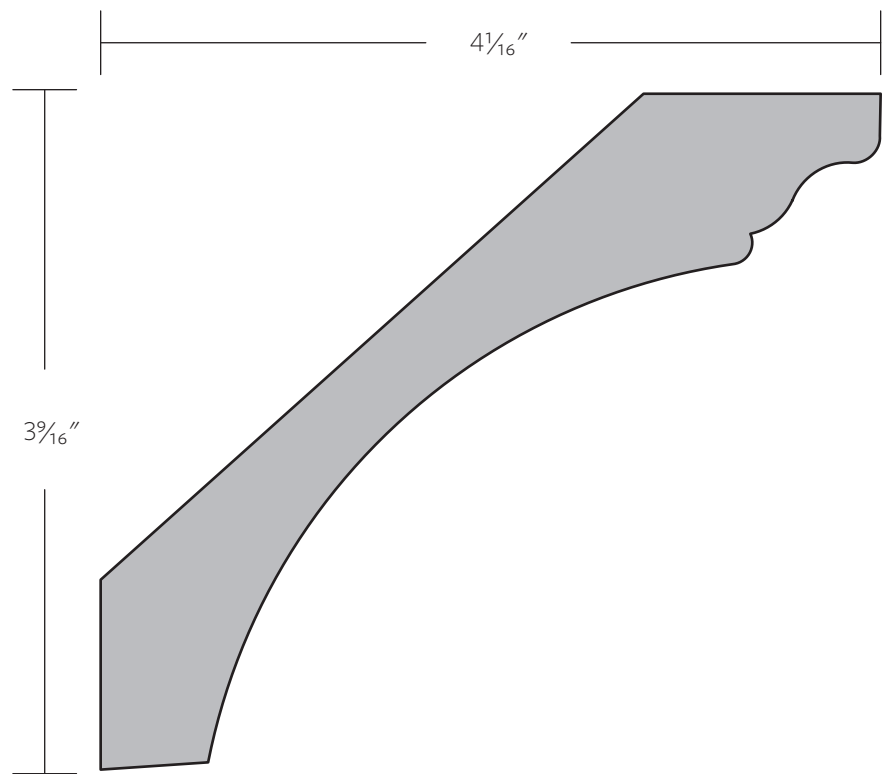


SWD 5092 | $\frac{3}{4}$ " x $5\frac{1}{2}$ " | 38/52





SWD 5095 | 1 5/8" x 5 1/32" | 38/52



SWD 5096 | 1 1/16" x 5 3/8" | 45/45

