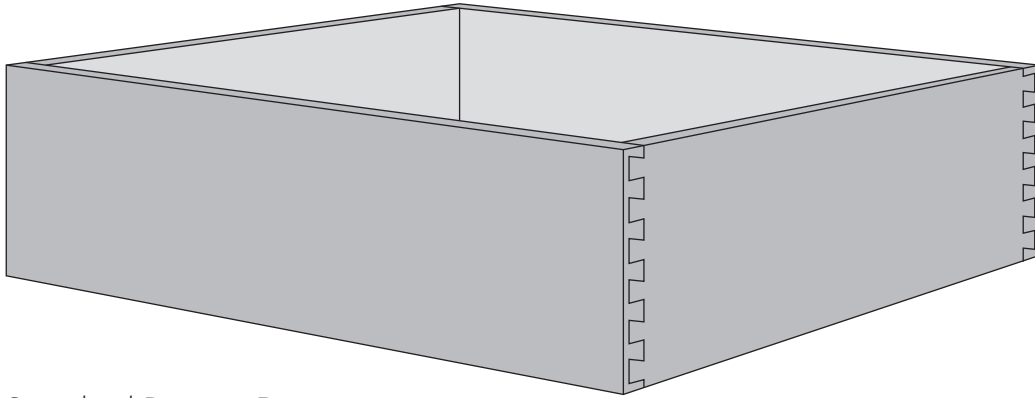


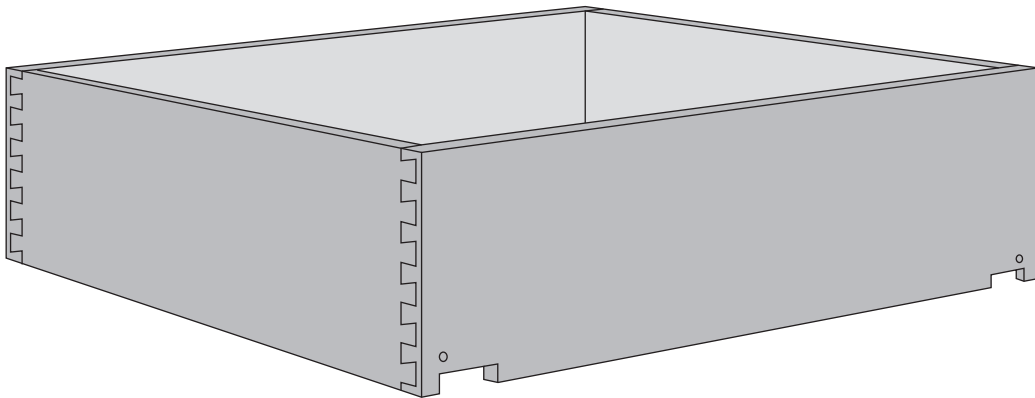
SECTION 1

Drawer Boxes

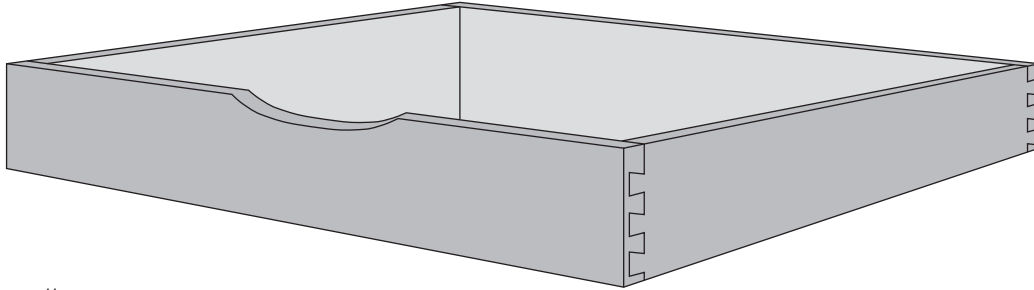
Dovetail Drawer Boxes



Standard Drawer Box



Standard Drawer Box
with back notched for undermount slides



Roll Out Tray
(with optional scoop for handle)

Notes:

- Standard drawer boxes are made with $\frac{9}{16}$ " soft maple sides.
- Height in $\frac{1}{2}$ " increments from 2" to 12" (Other increments are not recommended since dovetails are $\frac{1}{2}$ " high)
- Side-mount and under-mount slides are available
- Drawer boxes to be used with under-mount slides are notched as shown on previous page.
- Standard drawer bottoms are $\frac{1}{4}$ " plywood, inset $\frac{1}{2}$ " up from the bottom.
- $\frac{3}{8}$ " plywood drawer bottoms are available on request.
- For drawer boxes with under-mount slides, width should be $\frac{9}{16}$ " less than the cabinet opening.
- For drawer boxes with side-mount slides, width should be 1" less than the cabinet opening.
- Clear coat finishing is available on request (outside front and back are generally left unfinished except for roll out trays or if customer specifies otherwise)
- When ordering specify: Width x Depth x Height