

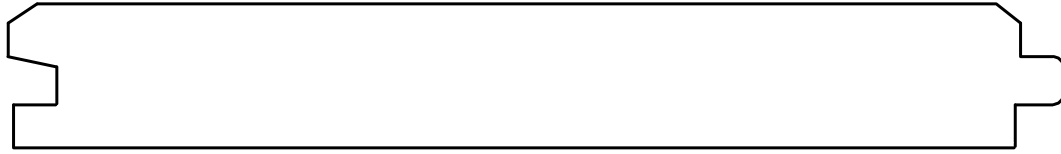
SECTION 6

TONGUE AND
GROOVE PROFILES

PLINTHS

HANDRAIL
PROFILES

6-1



SWD 600

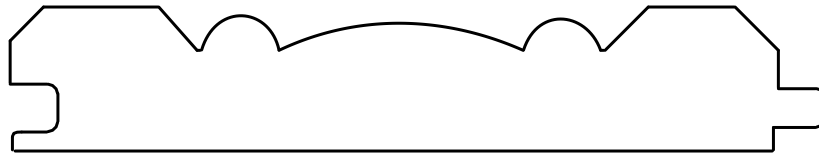
3/4" X 5-1/2" (5-1/4" LAY)



SWD 601

3/4" X 5-1/2" (5-1/4" LAY)

6-2



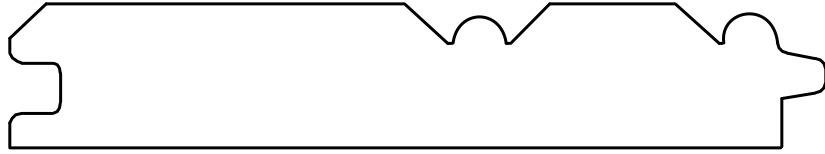
SWD 602

3/4" X 4-1/4" (4" LAY)



SWD 603

3/4" X 3-3/4" (3-1/2" LAY)



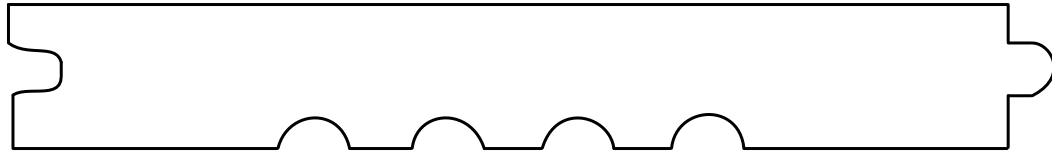
SWD 604

3/4" X 4-1/4" (4" LAY)



SWD 605

3/4" X 4-1/2" (4-1/4" LAY)



SWD 606

3/4" X CUSTOMER SPECS FLOORING

6-3



SWD 607

3/4" X 3-9/16" (2-7/8" LAY)

SOMMERS' WOOD-N-DOOR INC.

PHONE: 614-873-3506 FAX: 614-873-3614 EMAIL: SALES@SOMMERSWOOD.COM WWW.SOMMERSWOOD.COM



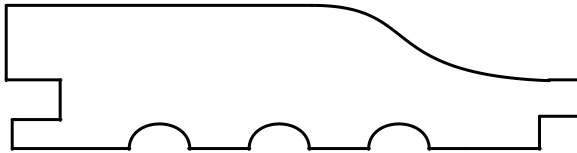
SWD 608

3/4" X 2-9/16" (2-1/4" LAY)



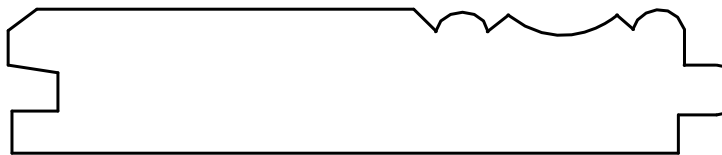
SWD 609

3/4" X 4-1/2" (4-1/4" LAY)



SWD 610

3/4" X 3" (2-3/4" LAY)



SWD 611

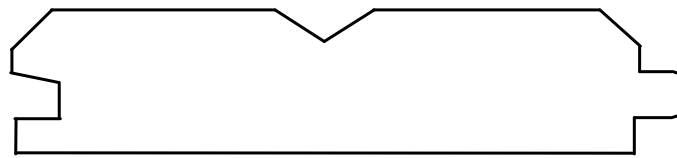
3/4" X 3-3/4" (3-1/2" LAY)

6-4



SWD 612

3/4" X 2-3/4" (2-1/2" LAY)



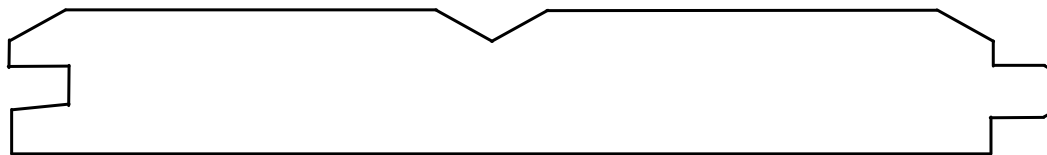
SWD 613

3/4" X 3-1/2" (3-1/4" LAY)



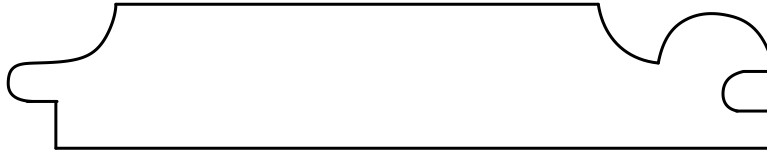
SWD 614

3/4" X 3-1/4" (3" LAY)



SWD 615

3/4" X 5-7/16" (5-1/8" LAY)



SWD 616

3/4" X 4" (3-3/4" LAY)



SWD 617

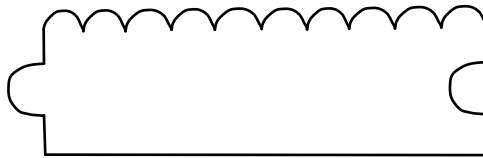
1/2" X 3-1/4" (3" LAY)

6-6



SWD 618

1-1/16" X 7-1/4" (6-13/16" LAY)



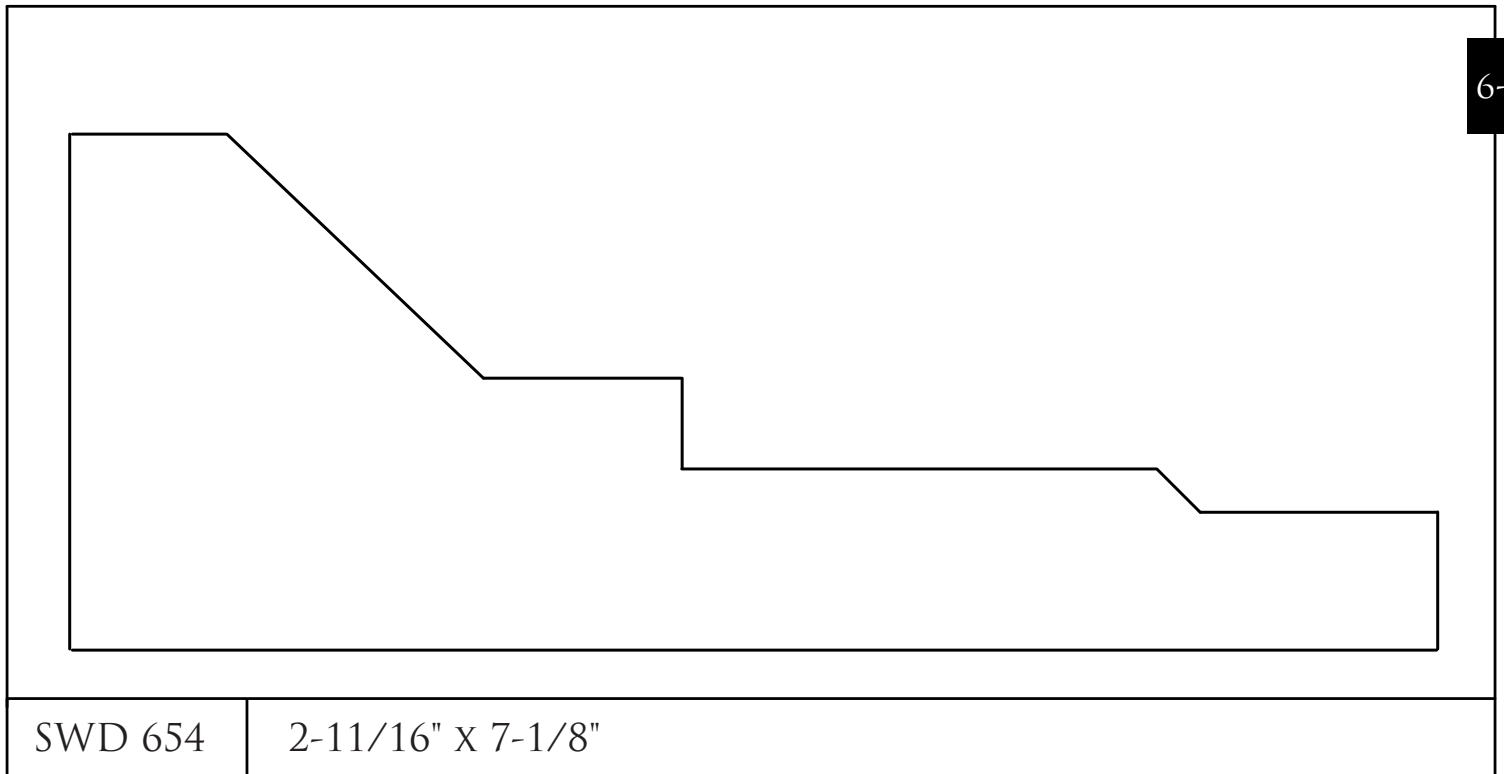
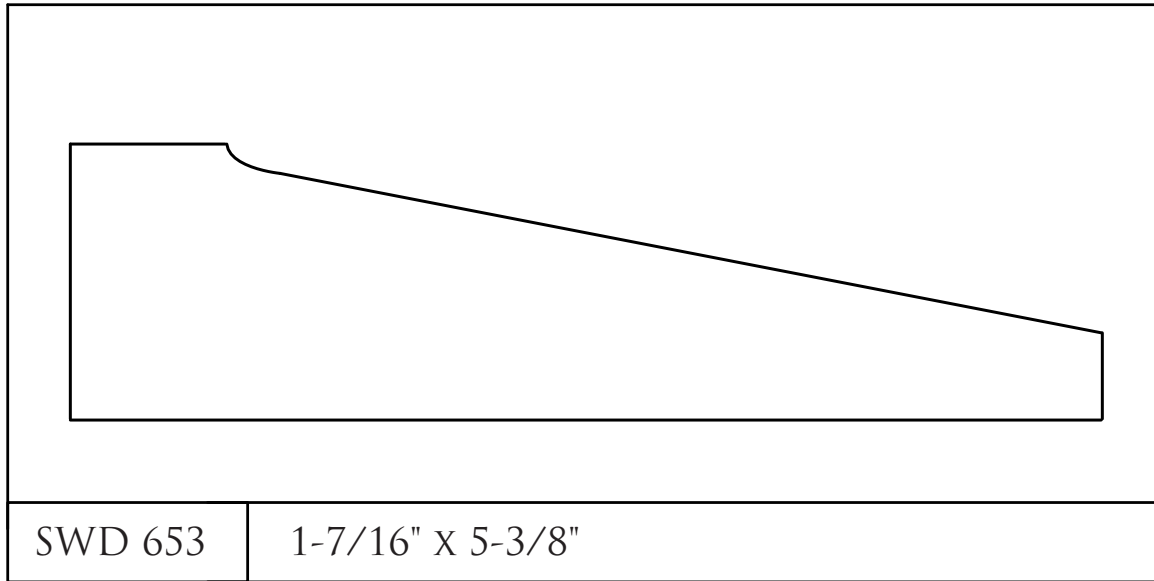
SWD 619

3/4" X 2-1/2" (2-1/4" LAY)

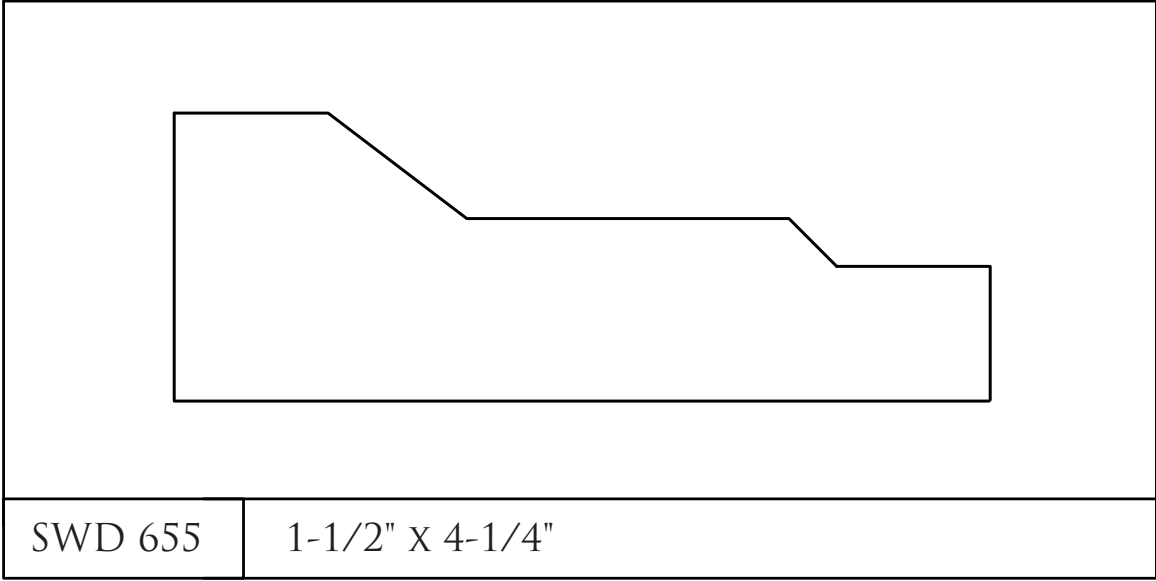
SOMMERS' WOOD-N-DOOR INC.

PHONE: 614-873-3506 FAX: 614-873-3614 EMAIL: SALES@SOMMERSWOOD.COM WWW.SOMMERSWOOD.COM

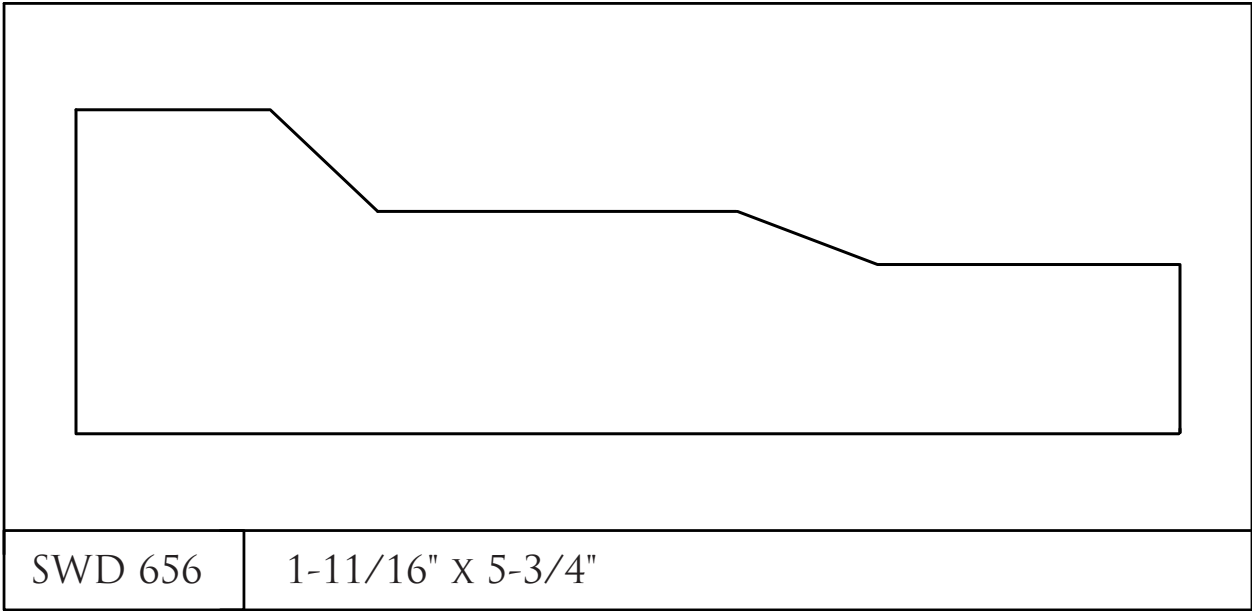
PLINTHS

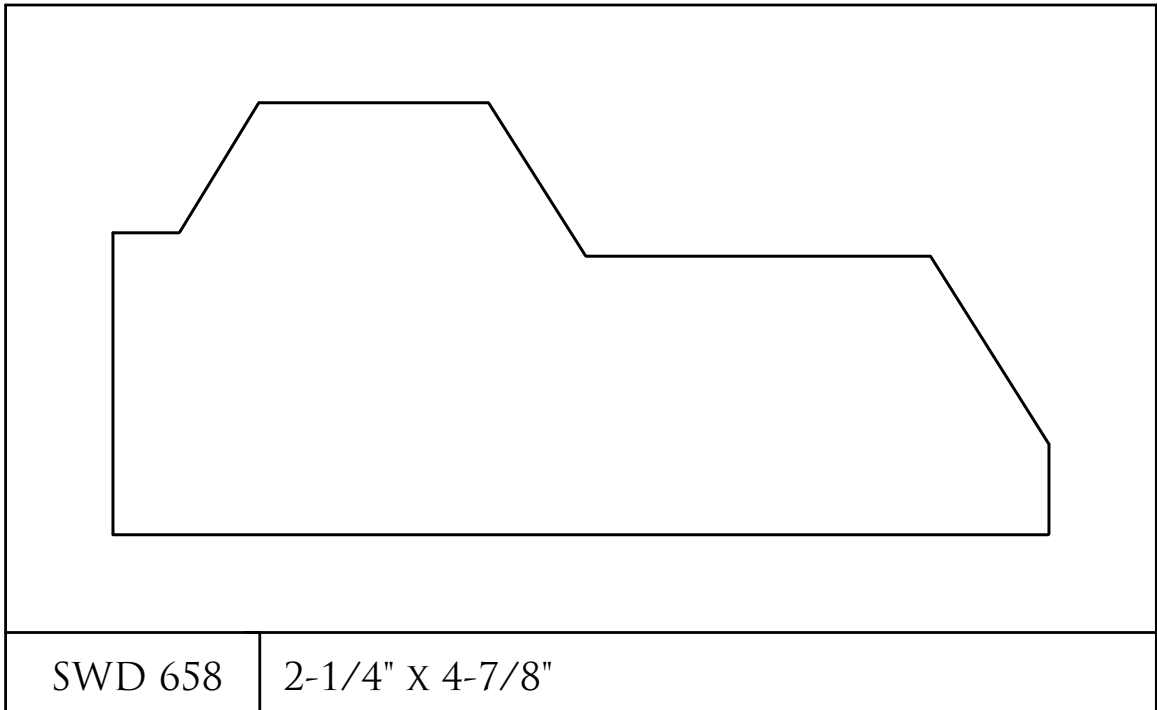
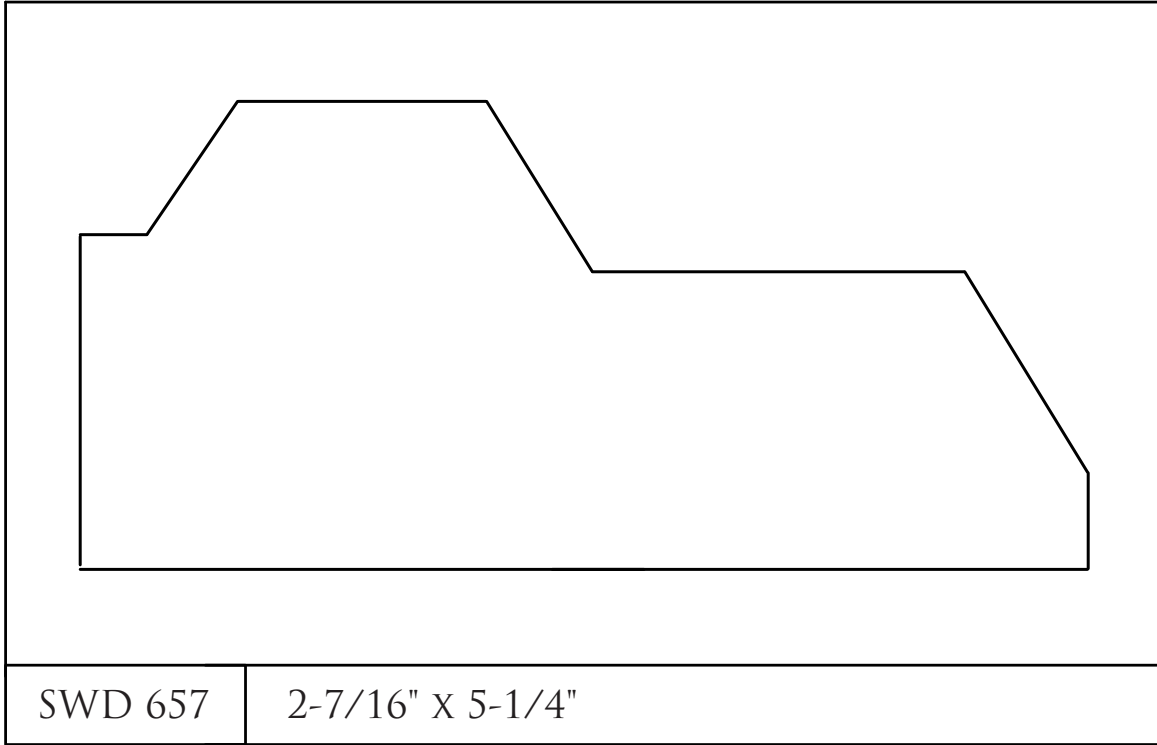


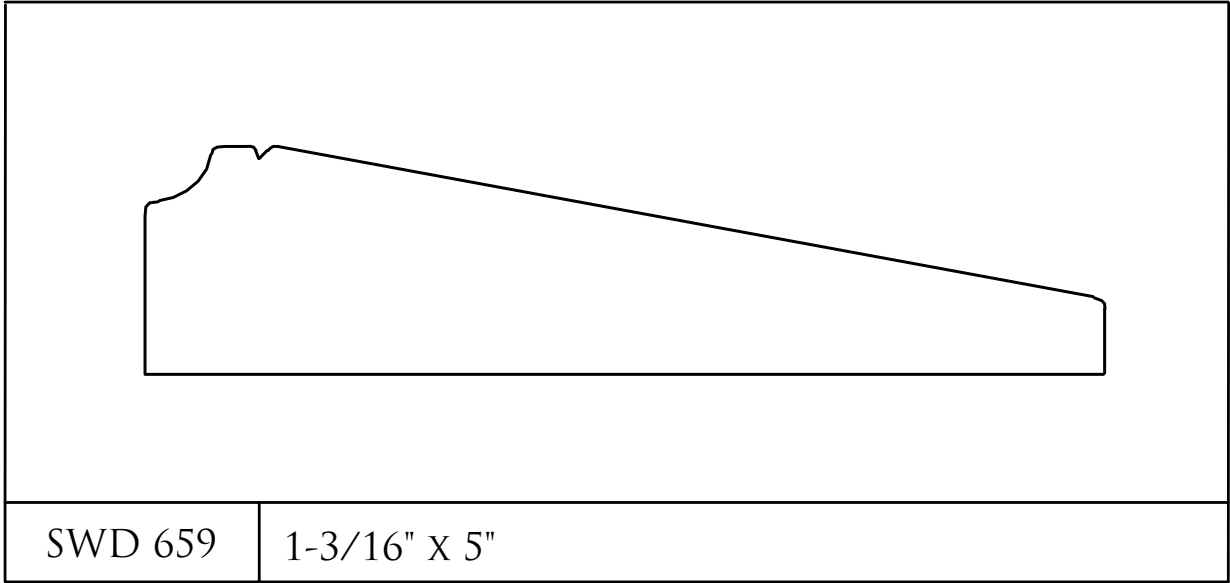
6-7



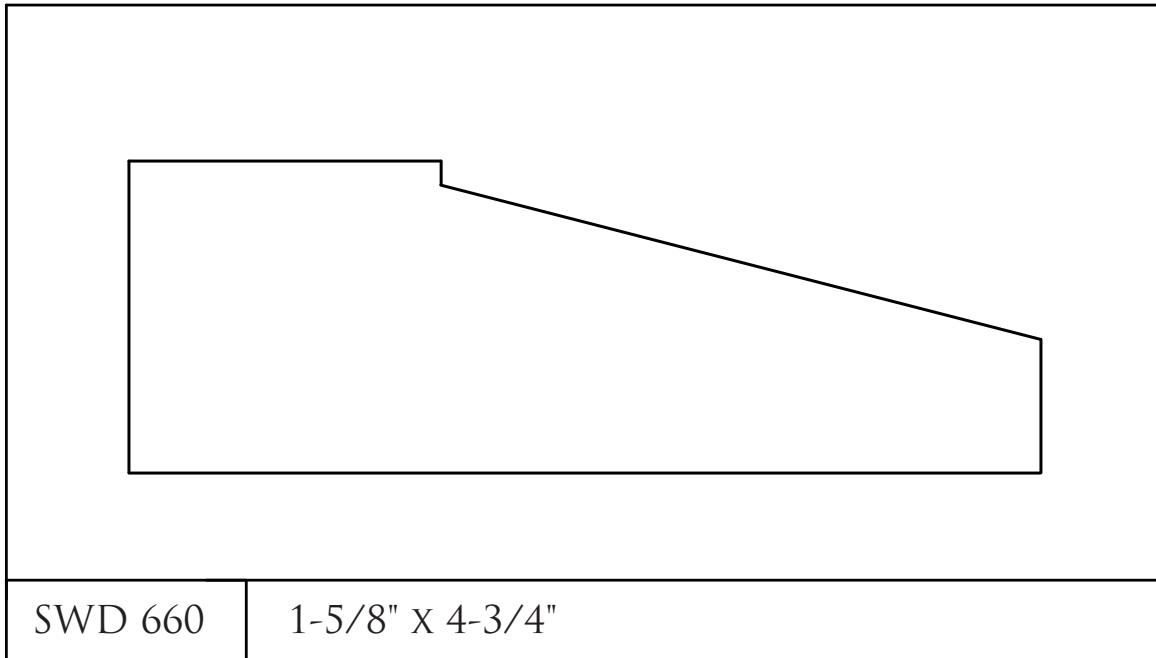
6-8

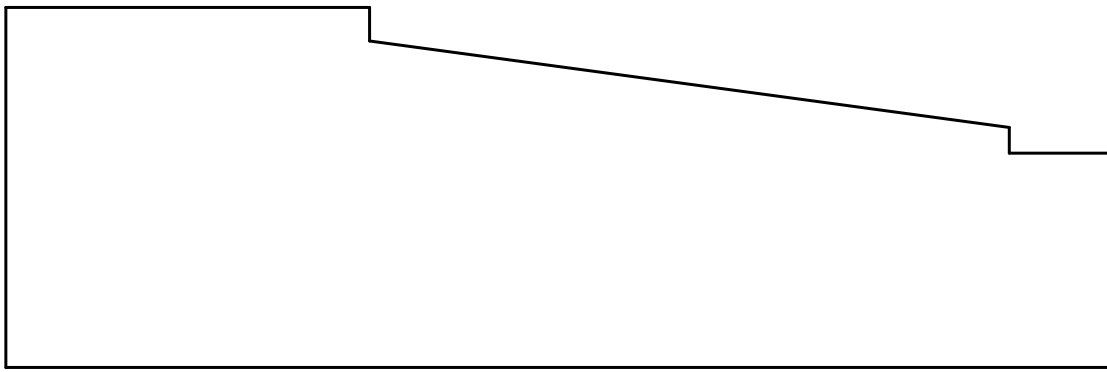






6-10





SWD 661

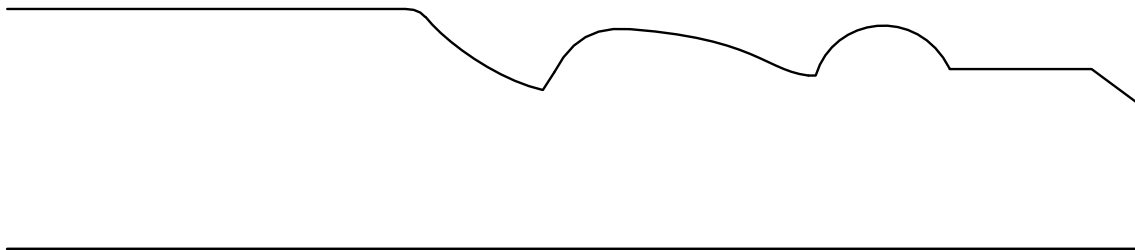
1-7/8" X 5-3/4"



SWD 662

1-5/8" X 6"

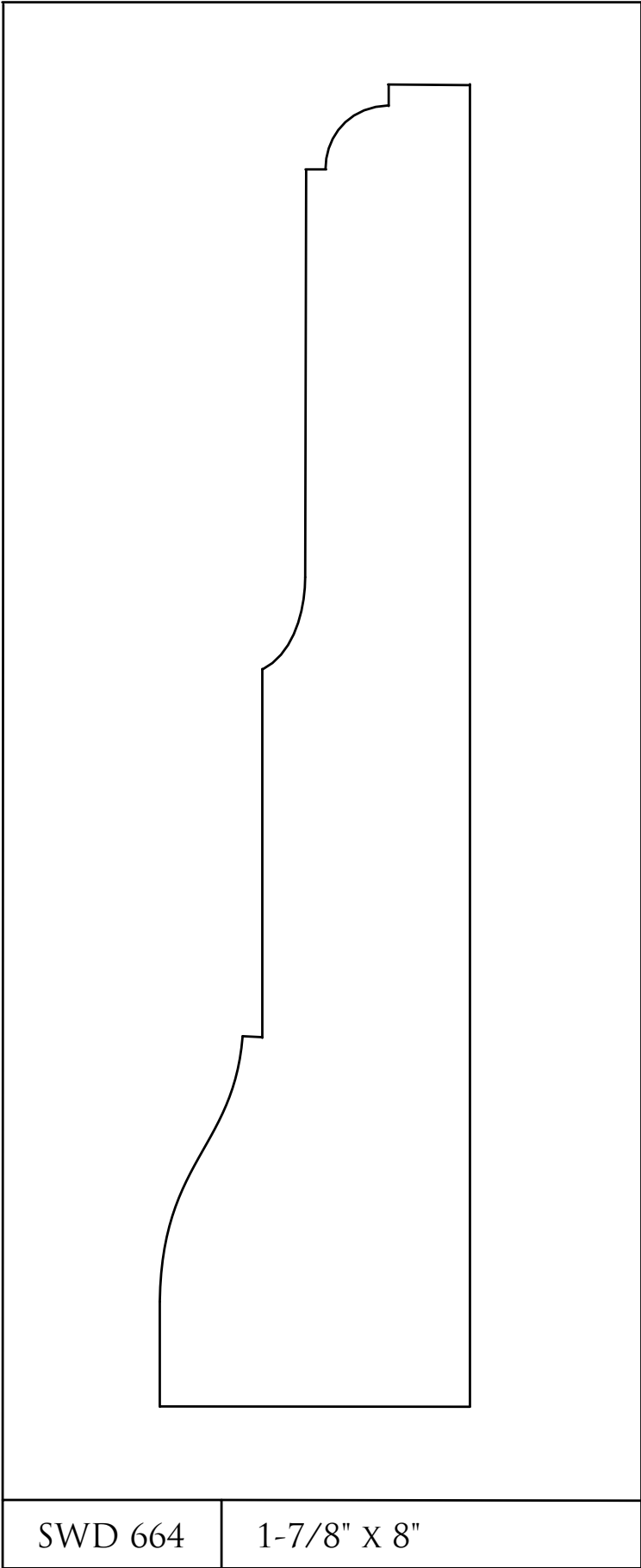
6-11



SWD 663

1-1/4" X CUSTOMER SPECS

6-12

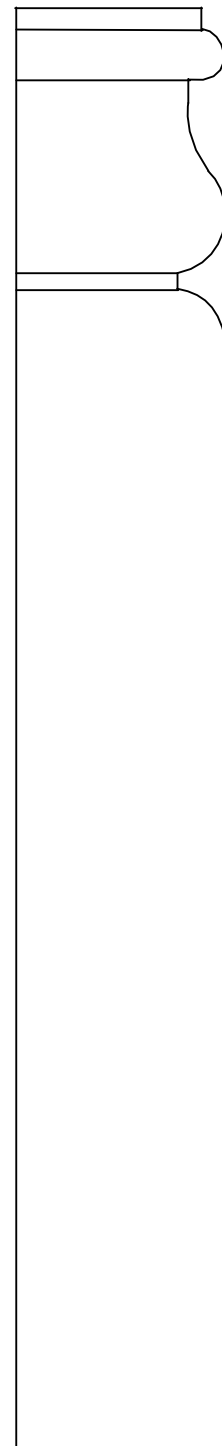
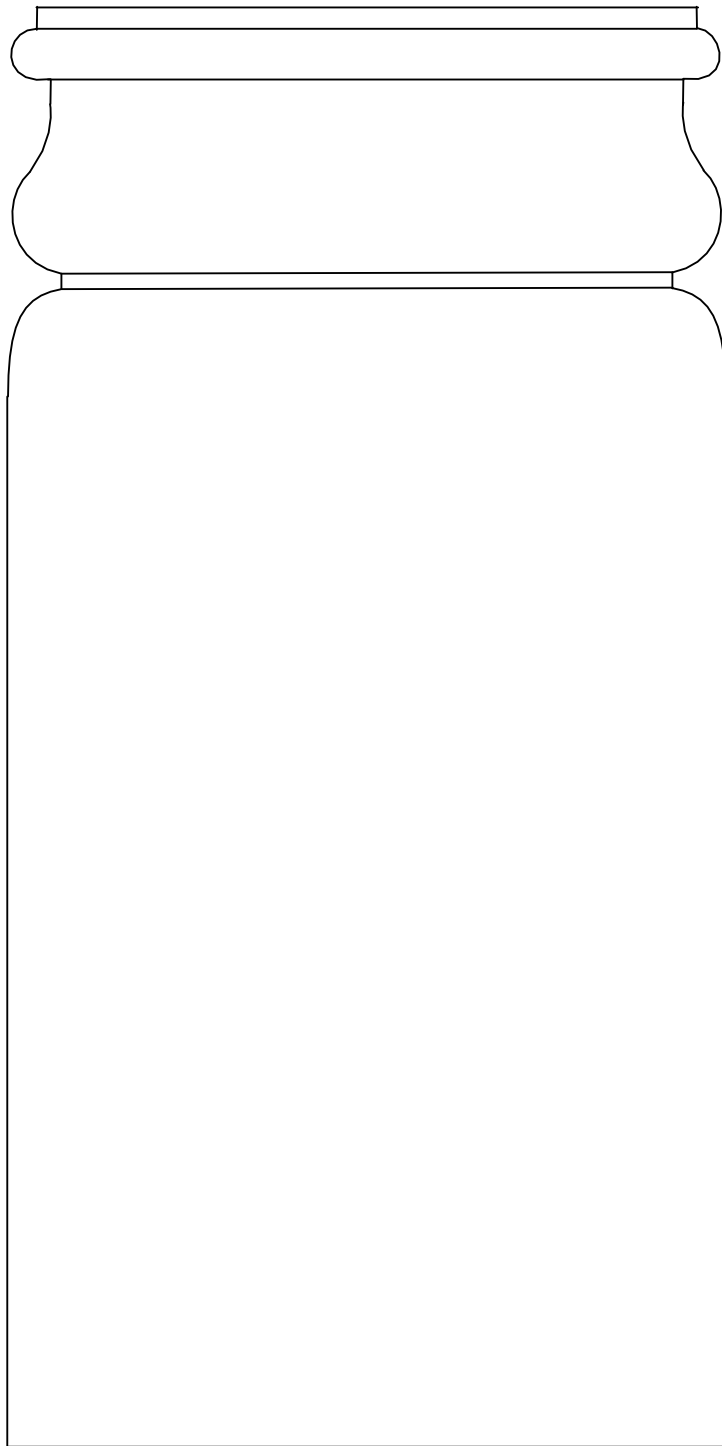


SWD 664

1-7/8" X 8"

SOMMERS' WOOD-N-DOOR INC.

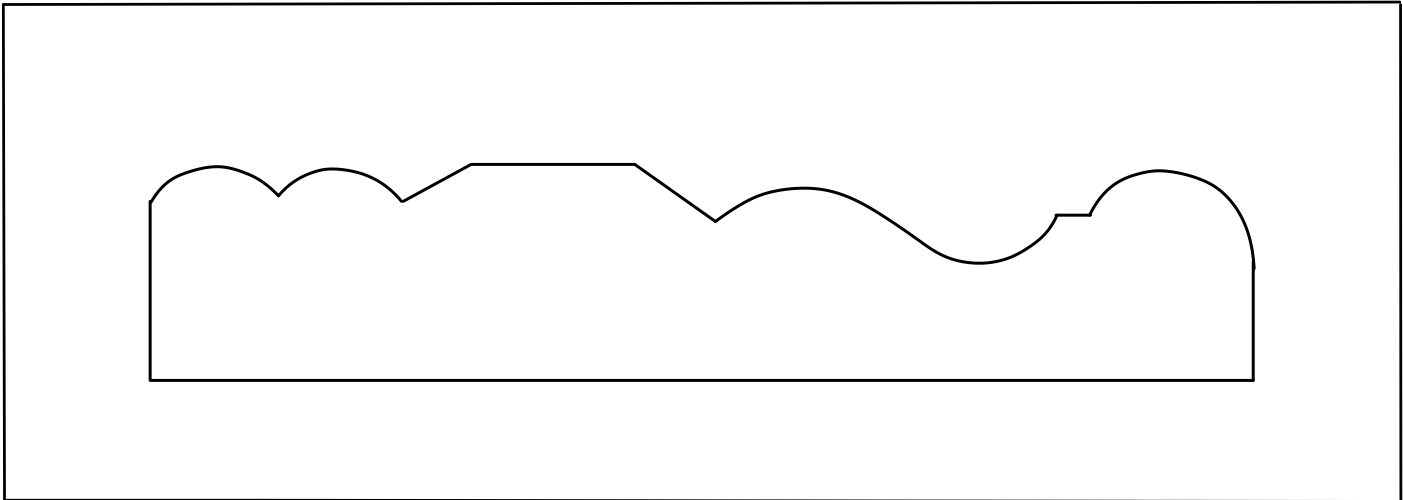
PHONE: 614-873-3506 FAX: 614-873-3614 EMAIL: SALES@SOMMERSWOOD.COM WWW.SOMMERSWOOD.COM



*ALSO AVAILABLE 1-1/8" X 6-1/8" X 7-1/2"

SWD 665

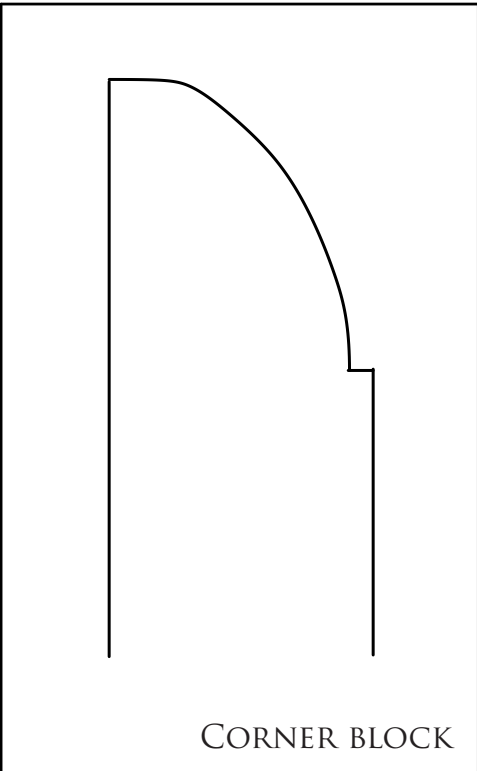
1-1/8" X 3-3/4" X 7-1/2"



SWD 667

1-1/8" X 5-3/4"

6-14

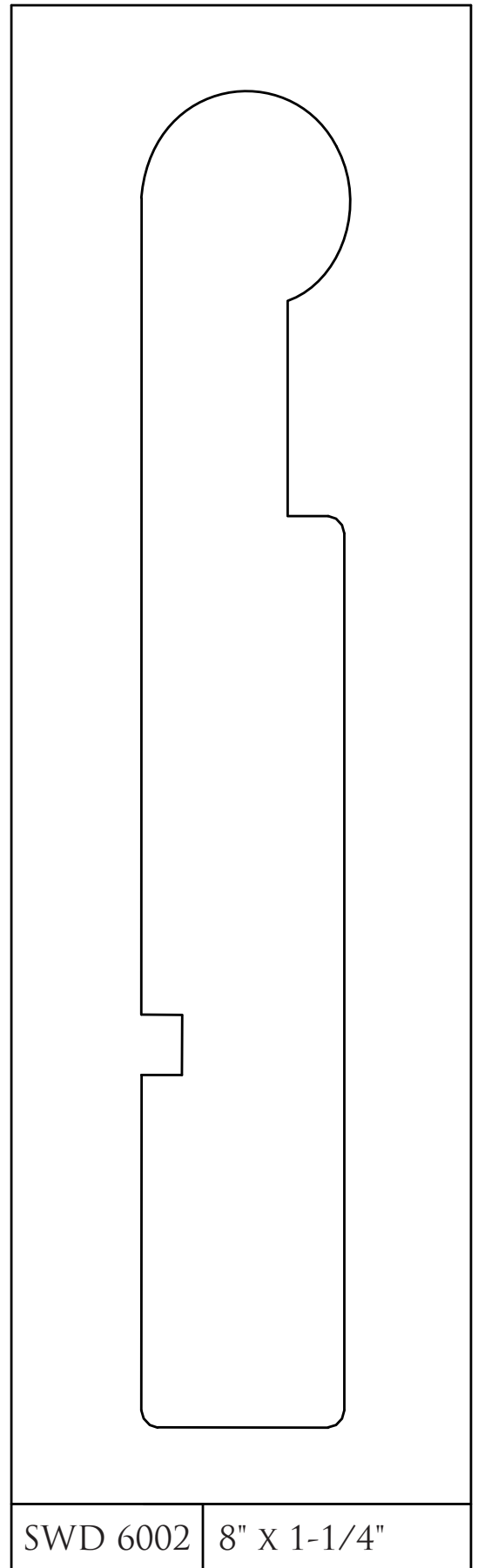
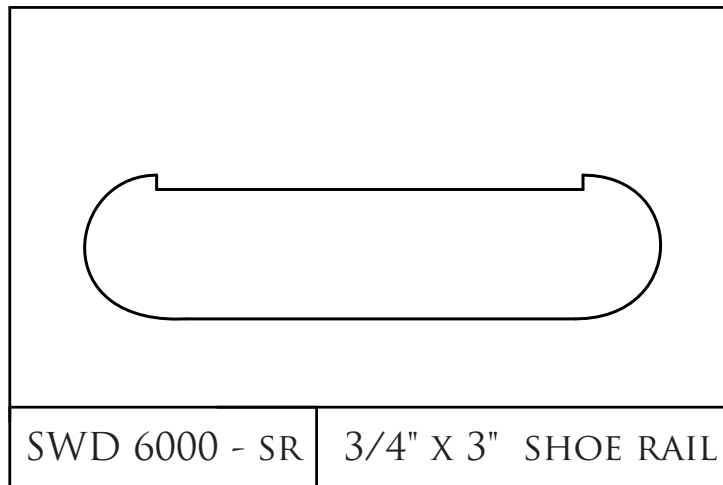
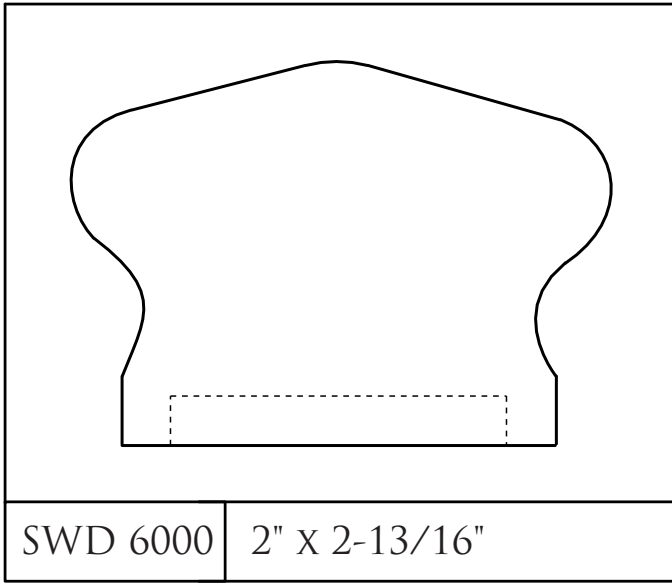


CORNER BLOCK

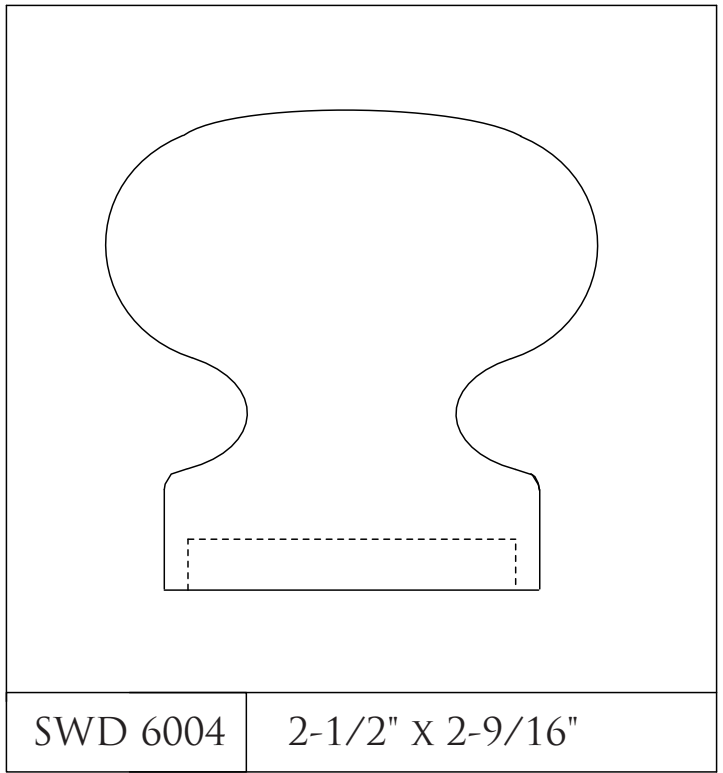
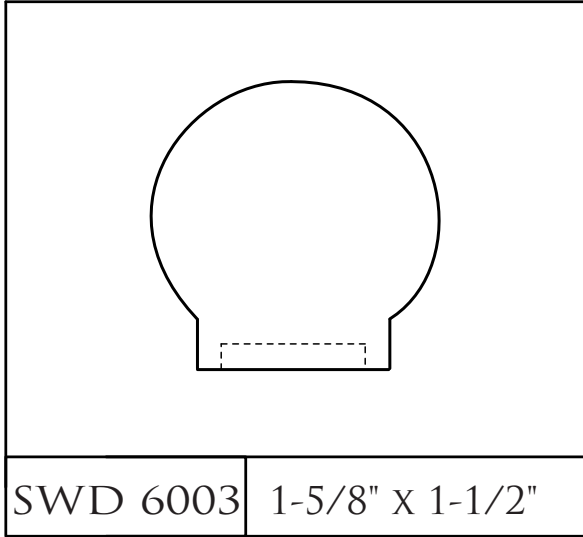
SWD 668

1-3/8" X 1-3/8" X
CUSTOMER SPECS

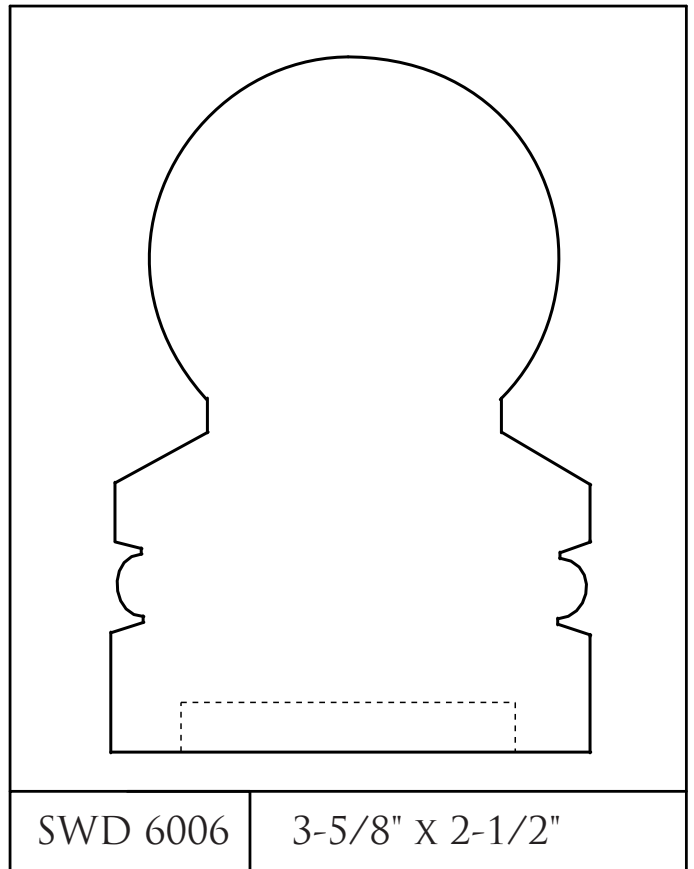
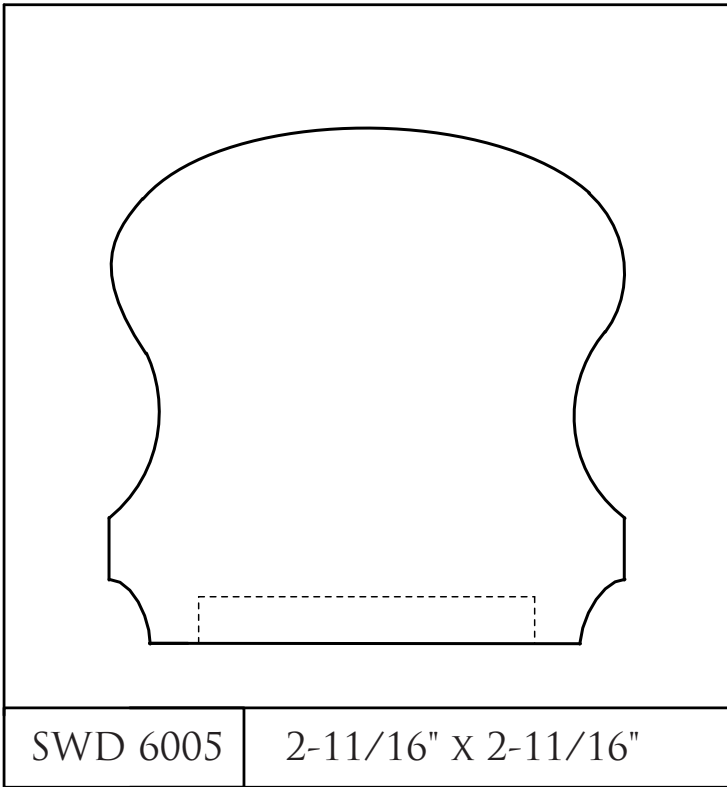
HANDRAIL

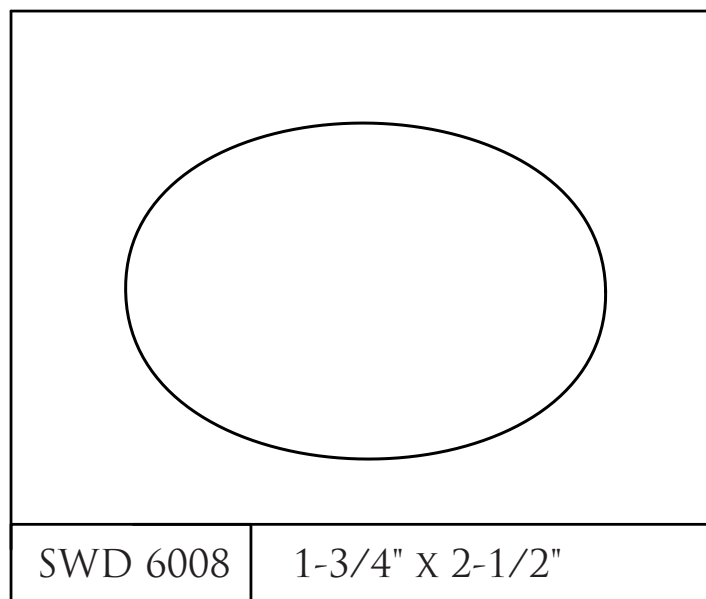
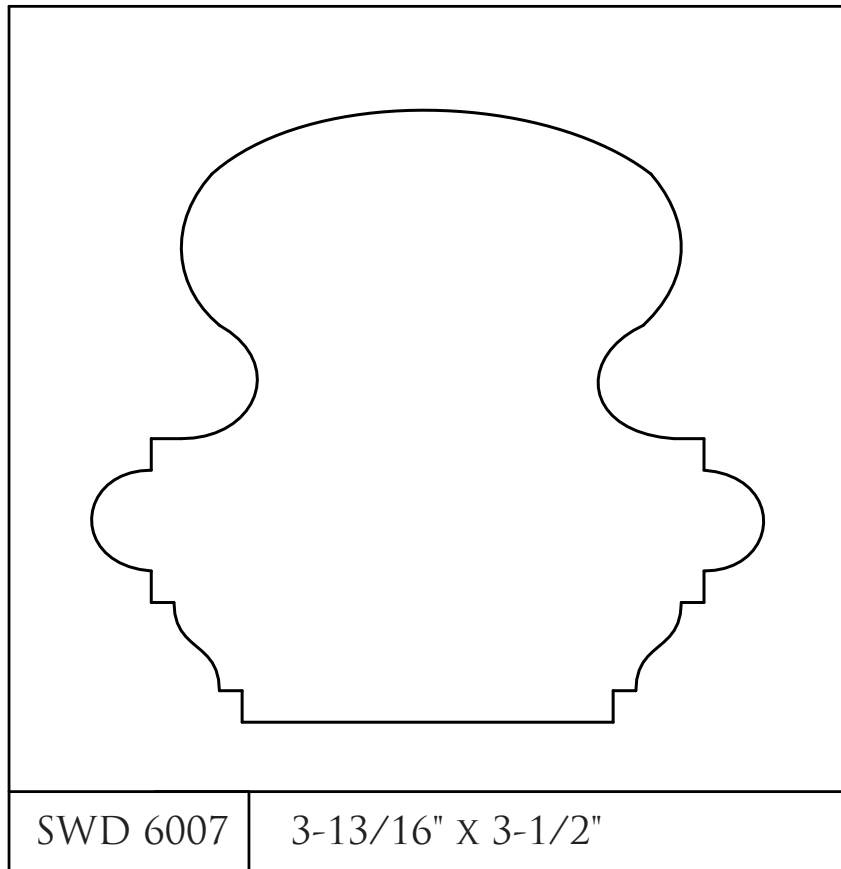


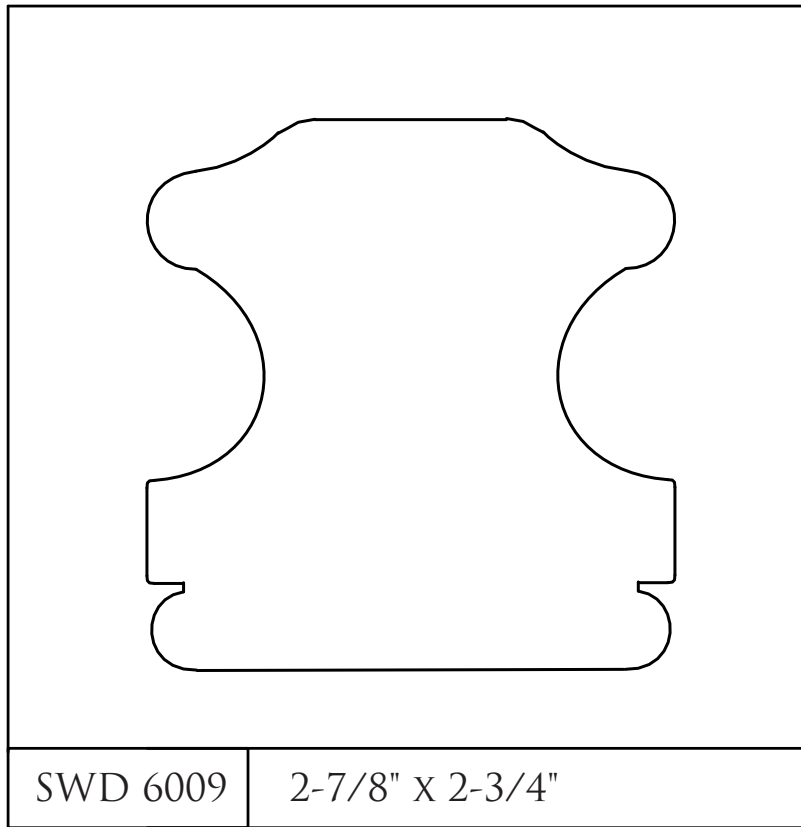
6-15



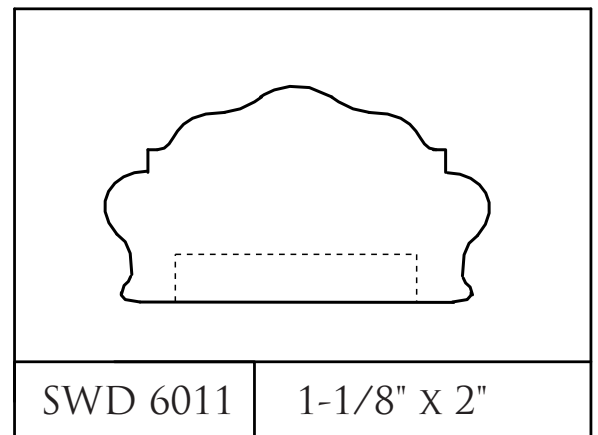
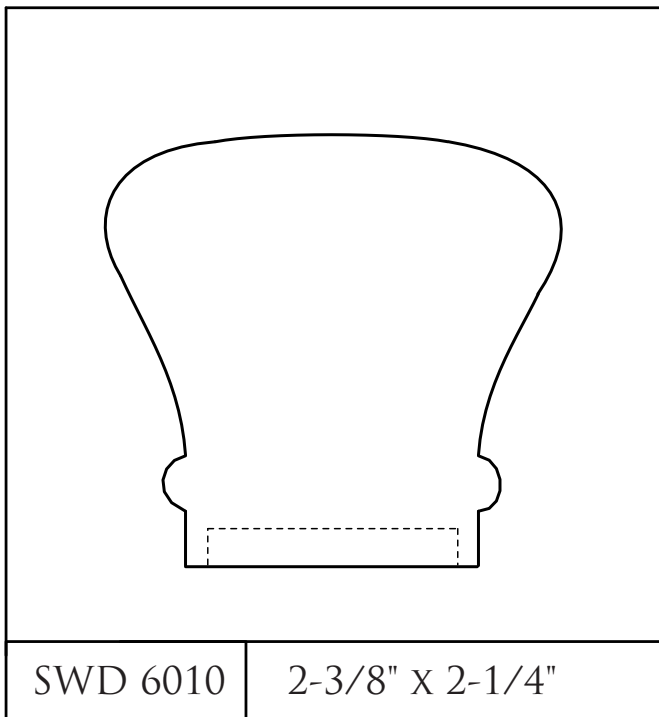
6-16

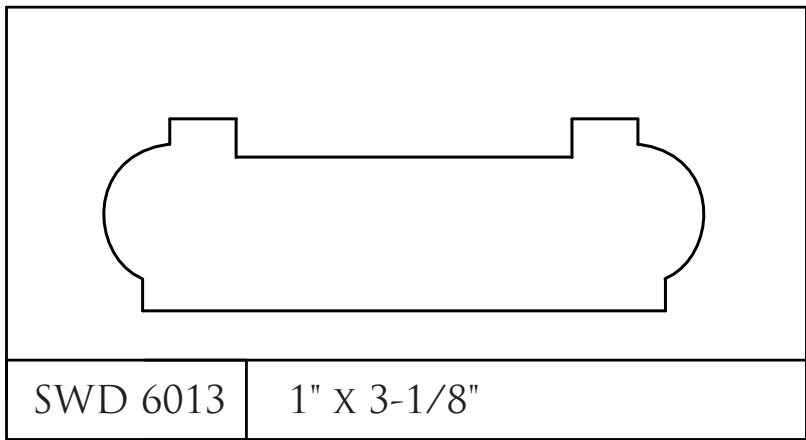
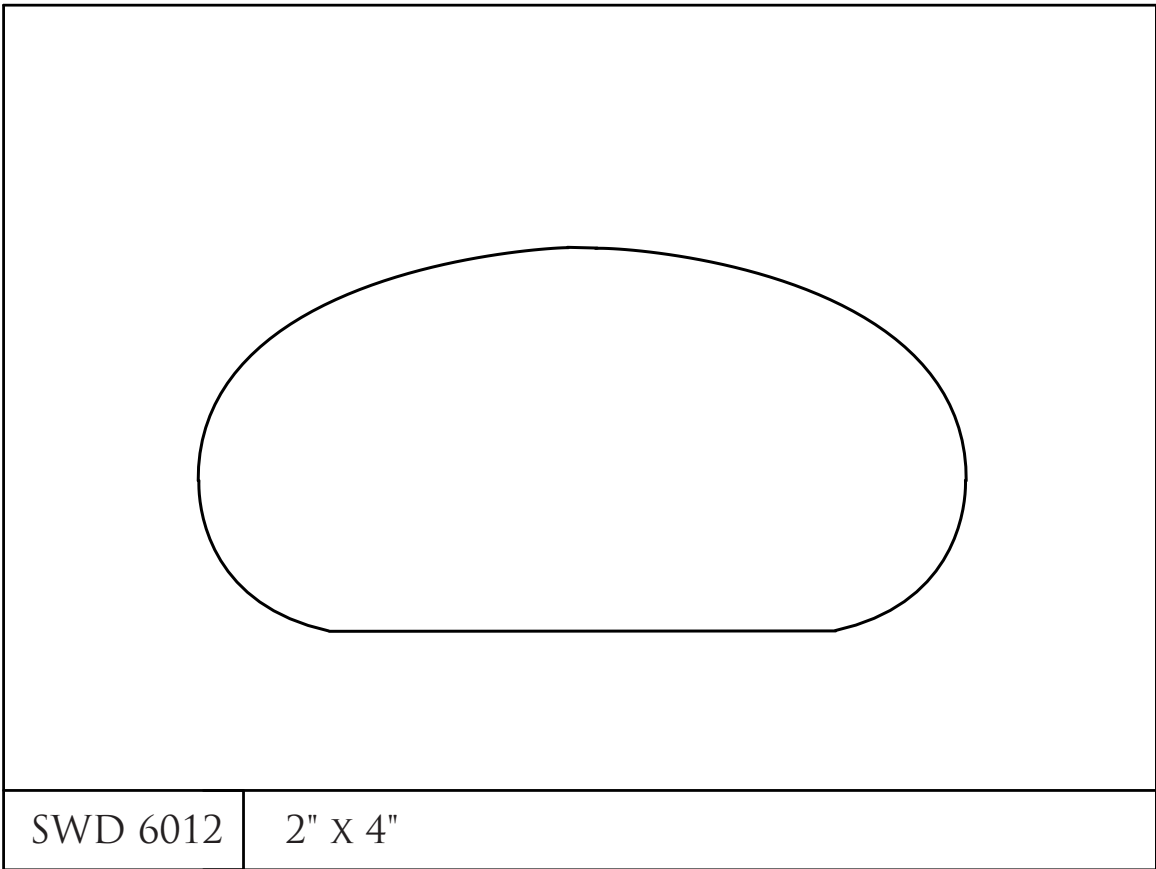




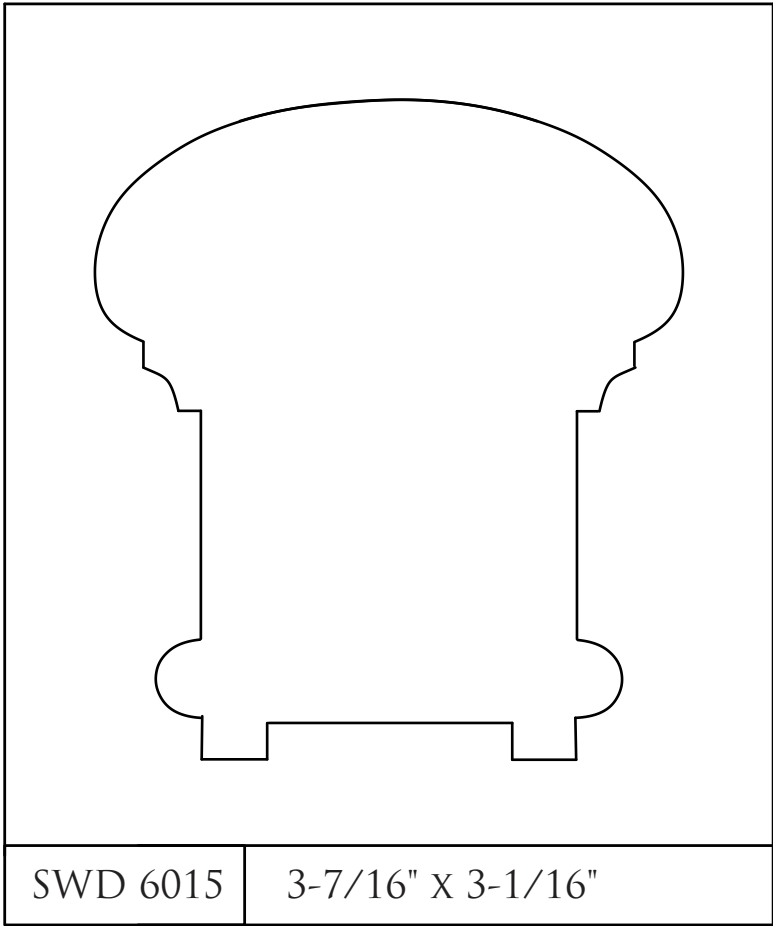
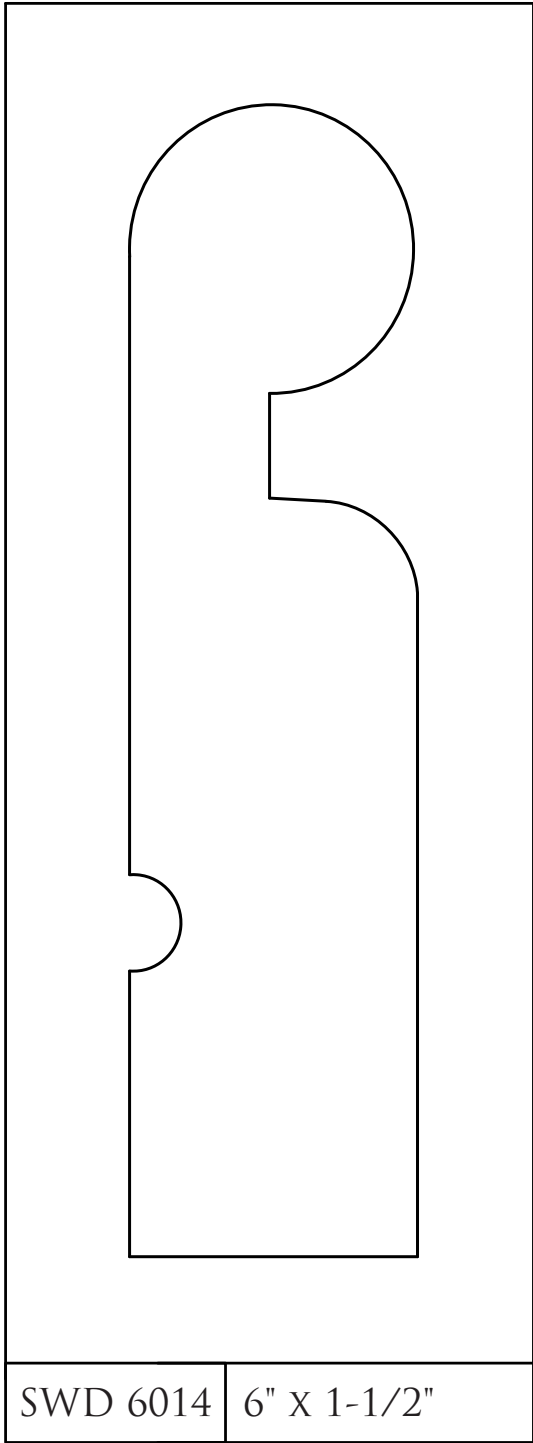


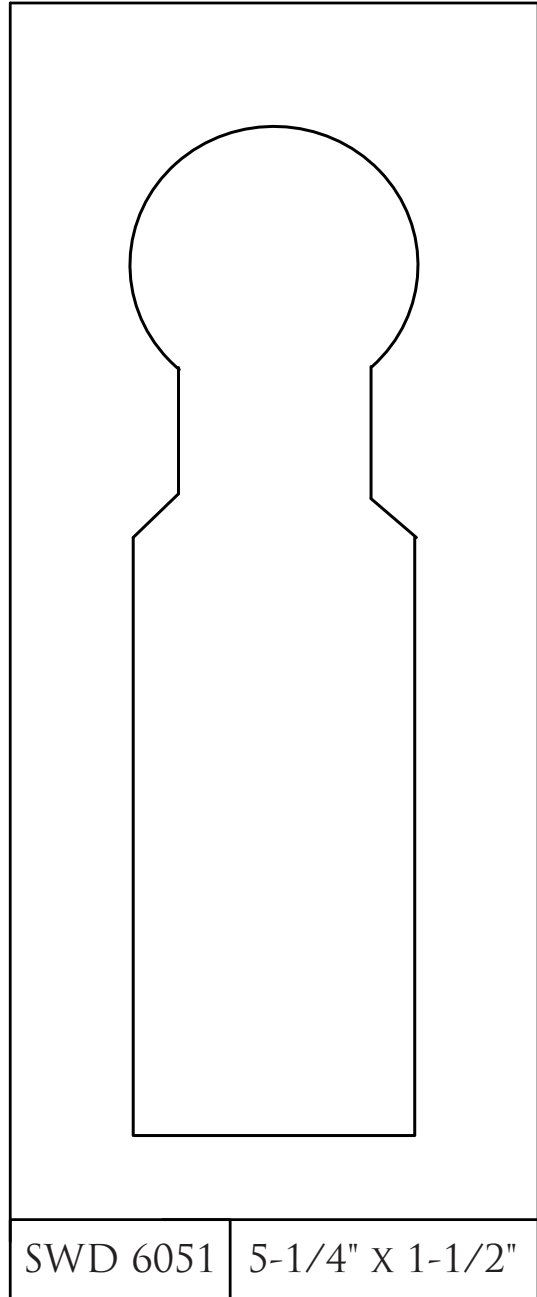
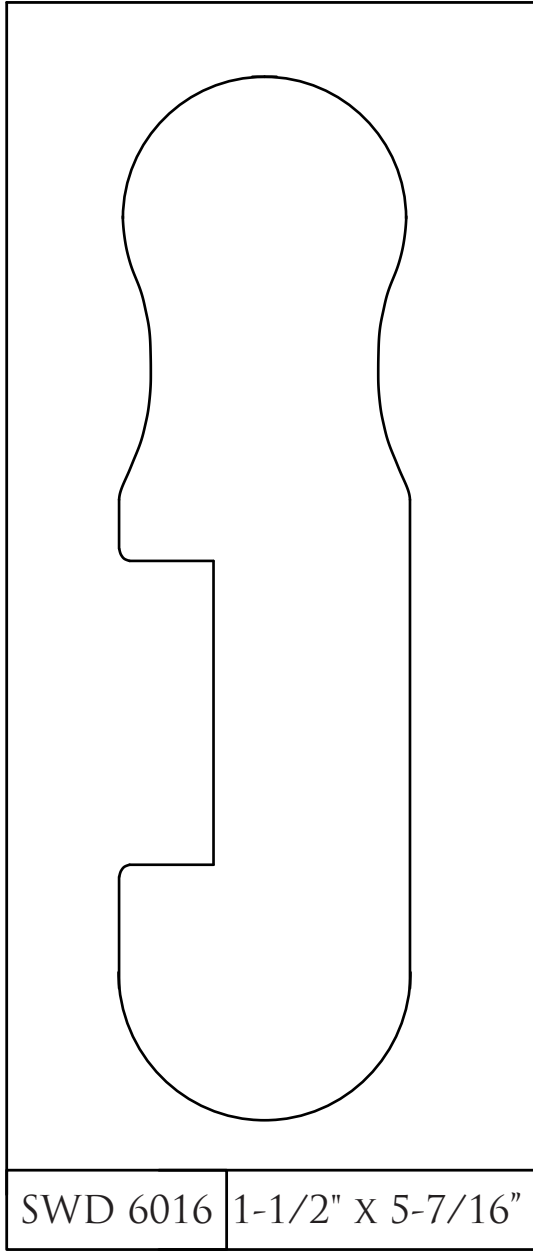
6-18

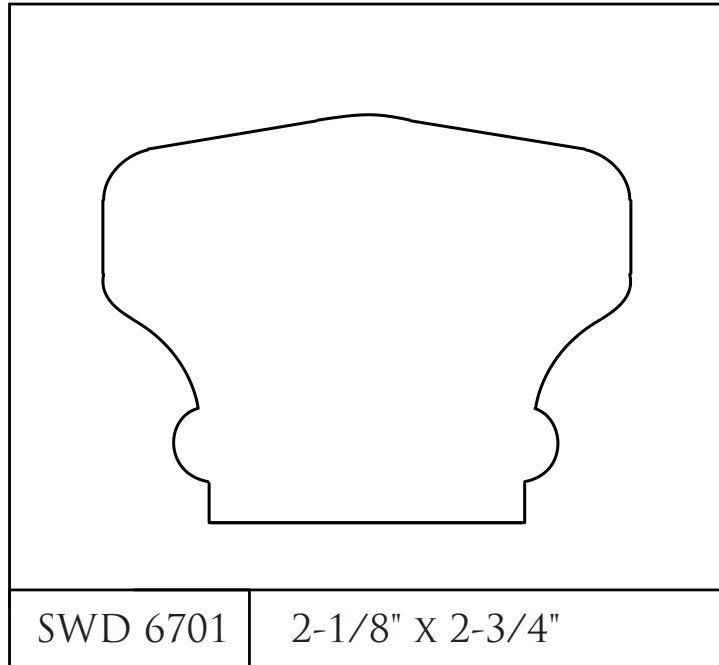
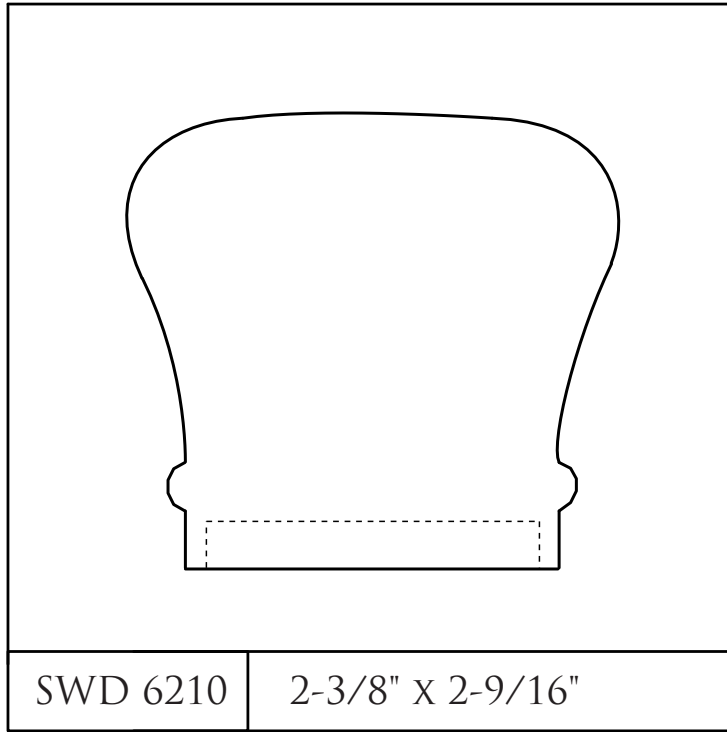




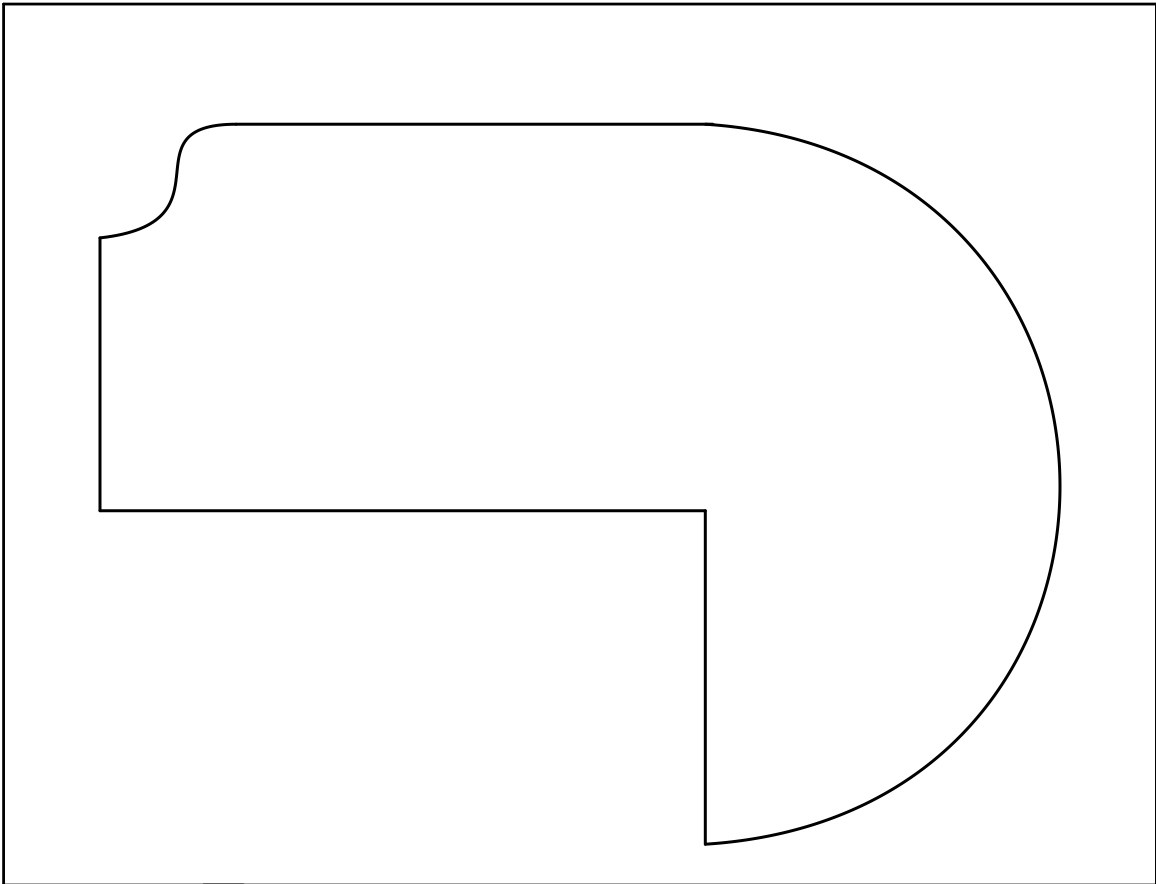
6-20



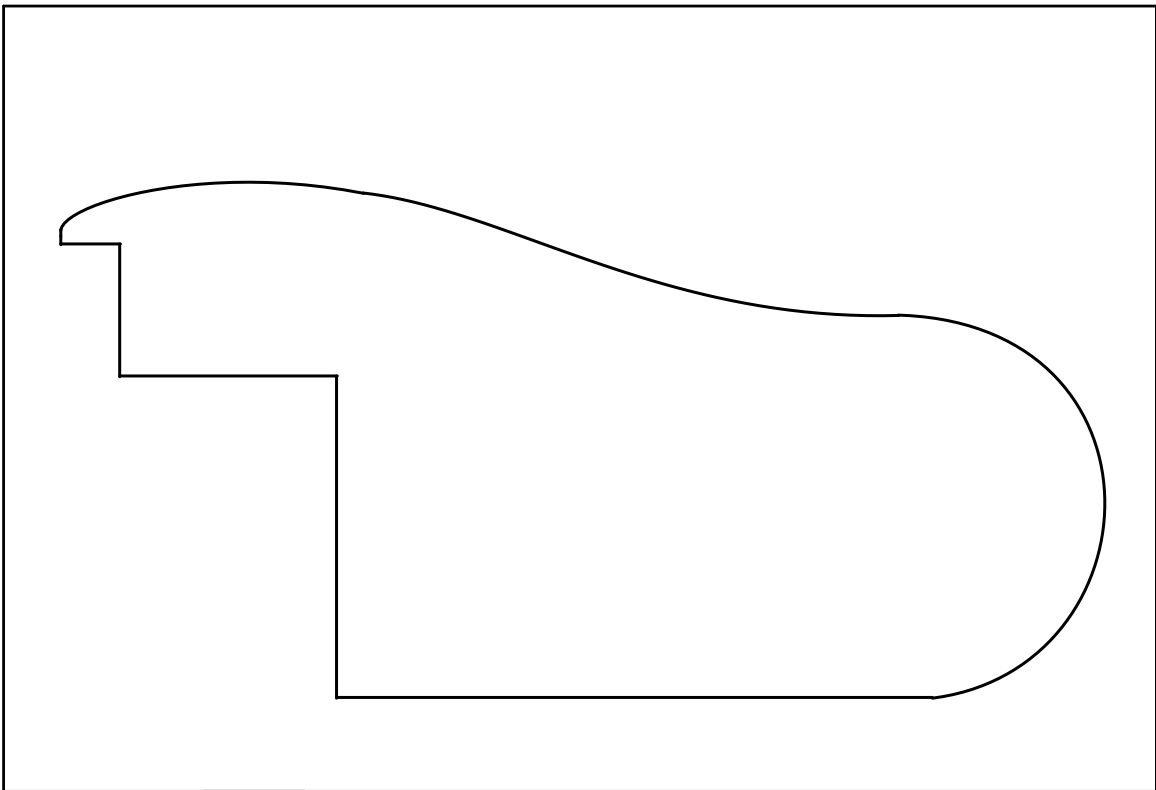




6-22



SWD 6050	3-3/4" X 5" BAR RAIL
----------	----------------------



SWD 096/913	2-11/16" X 5-7/16" BAR RAIL
-------------	-----------------------------

6-24

SOMMERS' WOOD-N-DOOR INC.

PHONE: 614-873-3506 FAX: 614-873-3614 EMAIL: SALES@SOMMERSWOOD.COM WWW.SOMMERSWOOD.COM